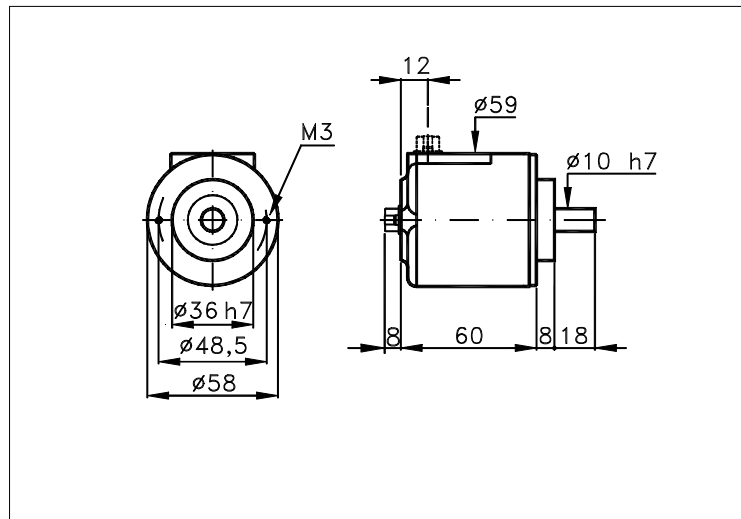


**SINGLE TURN
ABSOLUTE
ENCODER
358HJ**

Absolute single turn patented encoder, from 2 to 10 bits, 'heavy duty'
with an extremely low cost without giving up the quality of the product.
Fitted for applications where the price plays an instrumental role.

Absolute single turn
page: 01. 358HJ 1/2
data sheet IA028 E00

Measures without tolerance according to UNI ISO 2768-mk



TECHNICAL FEATURES AND POSSIBLE CONFIGURATIONS I

- Output codes.....: Gray, Excess
- Max pulses/rev.....: 1024 (10 bits)
- Power supply Vcc.....: 5±5%, 15±5%, 8+24, 18+28, 10+30
- Max consumption.....: 200+400 mA accord. to bits (*)
- Light source.....: LED with >= 100000 h life
- Optical sensors.....: Phototransistors
- Max frequency.....: 50 kHz (*)
- Operating temperature.: 0 ÷ +60 °C (*)
- Storage temperature...: -30 ÷ +85 °C (*)
- Burn-in @ +75 °C.....: 72 h (*)
- Up/down commutation...: Ok
- Mechanical zero search: No
- Output stages.....: (-) NPN open coll.10mA(std)
(KK) NPN open coll.70mA + PTC
(KP) NPN open emitt.70mA+ PTC
(B) Push-p. 70mA+PTC 1+12bit(1)
- Pre output interface...: (-) Parallel (standard)
(S) Serial SSI (1)
(A) Analogic 'current' (2) (*) Custom options
(V) Analogic 'voltage' (2) (**) Intermittent max RPM + 30% of continuous max RPM
- Electronic options....: (for parallel interf.)
- Connections Radial (R): CV CD4 CM5 CL
Axial (-) (*)
- For the description of connections see 'ORDERING CODE' on page 2.
- Base.....: Composite material (*)
- Cover.....: Valox 420 (*)
- Weight.....: 170 g
- Shaft.....: Stainless steel (*)
- Max.rad/axial load....: 2 Kg
- IP output side.....: see 'CONNECTIONS' on page 2
- IP shaft side.....: std.54 | sealed 65 | low torq.-
- Contin. max RPM...(**): 6000 | 3000 | -
- Starting torque.. gcm.: 18 | 30 | -
- Impact resistance.....: 50 G (11 ms)
- Vibration resistance...: 12 G (10 ÷ 2000 Hz)
- Ball bearings life.....: 1,5x10⁹ revolutions
(@ 1000 rev/m with load of 1/4 maximum allowed)

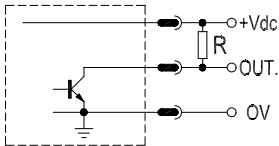
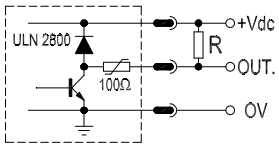
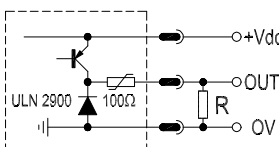
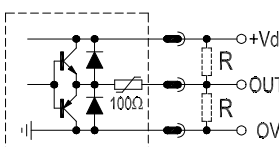
POSSIBLE OPTIONS

CODE	DESCRIPTION	CODE	DESCRIPTION	CODE	DESCRIPTION
		X	Custom options	G	Tropicalization
		H	Different shaft Ø	Z	Sealed bal bearing



ELCIS s.r.l. Via Rosa Luxembourg 12/14 10093 COLLEGNO (TO) ITALY
Phone: +39 011 715577/78 r.a.
MAIL: ELCIS s.r.l. P.O.Box 90 10093 COLLEGNO (TO) ITALY

* <http://www.elcis.com>
* e-mail: info@elcis.com
* Fax: +39 011 712613

ELECTRONIC OUTPUT	INTERFACE	PARALLEL OPTIONS
» (-) NPN open coll.10mA(std) 	» (-) Parallel (standard) The angular value is present on the output connector in a 'parallel' form. The number of conductors is proportional to the resolution and the type of selected code. Any electronic output stage can be applied.	»
» (KK) NPN open coll.70mA + PTC 	» (S) Serial SSI The data output (available only with Gray or Excess code) is controlled by an external clock. The angular position's value is first stored into the encoder and then transmitted outside starting from the MSB. The standard of transmission is RS422.	»
» (KP) NPN open emitt.70mA+ PTC 	» (A) Analogic 'current' » (V) Analogic 'voltage'	»
» (B) Push-p. 70mA+PTC 1+12bit 	Encoder's angular position with 10 bits resolution (1024 div./rev) is converted in an analog (mA or V) quantity proportional to its value. In the standard version (360° of rotation) Iu=1+20mA Vu=0+10V.	»

ORDERING CODE

Possible shaft Ø (n) Ø n upon req () () () () () ()	(G) Gray () () (E) Excess (X) Upon request (-) Inter.A or V	(-) Parallel (standard) (S) Serial SSI (A) Analogic 'current' (V) Analogic 'voltage'	(CV) 1 m long cable IP65 (CM5) Conn.26 pin PT02A16-26P IP65 () () () (CL) Conn.10 pin MS310A18-1P IP65 () () (CD4) Conn.25 pin DB25P IP64				
		(-) NPN open coll.10mA(std) (KK) NPN open coll.70mA + PTC (KP) NPN open emitt.70mA+ PTC (B) Push-p. 70mA+PTC 1+12bit					
		only for parallel interface					
MODEL	CODE	RESOLUTION	POWER SUPPLY	OUTPUT ELECTR.	INTERFACE	CONNECT.	OUTPUT
A 358HJ	G	256	5	-	-	CV	R
OPTIONS () () () (X) Custom options (H) Different shaft Ø () (G) Tropicalization (Z) Sealed bal bearing ()	[*] Cod. G, , : 8,16,32,64,128,256,512 Cod. G, , : 1024 Cod. E, , : 720 Cod. E, , : 180, Cod. E, , : 360,	(5) 5 V ±5% (1828)18 ÷ 28 V (15) 15 V ±5% (1030)10 ÷ 30 V (824)8 ÷ 24 V (X) Upon requ.				Axial Radial	(-) (R)

Product manufactured according to UNI EN ISO 9001:2000 supplied with CHECKING and CONFORMITY declaration with CE mark and with TWO (2) YEARS WARRANTY starting from delivery date.

[*] Other resolutions on customer's requirement



ELCIS s.r.l. Via Rosa Luxembourg 12/14 10093 COLLEGNO (TO) ITALY
 Telefono: +39 011 715577/78 r.a.
 Corrispondenza: ELCIS s.r.l. P.O.Box 90 10093 COLLEGNO (TO) ITALY

* http://www.elcis.com
 * e-mail: info@elcis.com
 * Fax: +39 011 712613

COPYRIGHT by ELCIS - Collegno (TO)