

PPC-3150SW-MART

15.6" Panel PC with Win 10 LTSC and Intel® Pentium® N4200



Features

- 15.6" true-flat WXGA TFT LCD with projected capacitive touch control
- Win 10 IOT LTSC, 4GB DDR3L SDRAM, 64GB 3D TLC MSATA
- Fanless design with aluminum alloy enclosure
- Wide Range DC input (12~24V DC), Configurable RS-232/422/485
- IP65-rated front panel, Supports dual displays, VESA 75
- No RED Certification



Introduction

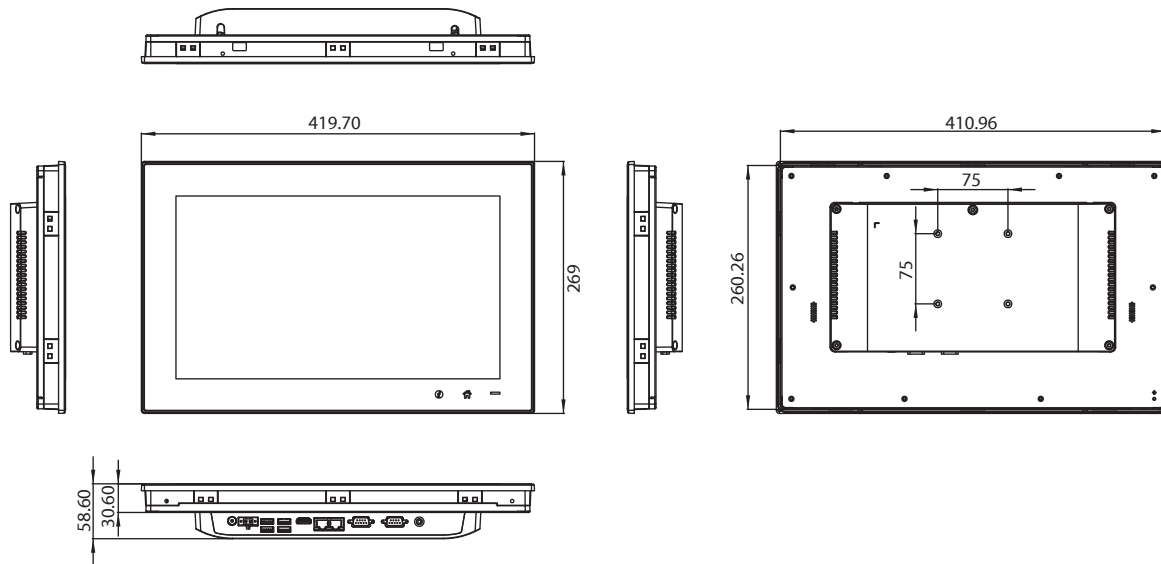
The PPC-3150SW-MART is a high-value, ultra-slim panel PC equipped with a 15.6" WXGA TFT LCD, Intel® Pentium® N4200 quad-core, 1.1 GHz, processor, 4GB DDR3L, 64GB SSD, 90W power adapter and Win 10 LTSC to provide high-performance computing in a compact and fanless system.

Specifications

System	CPU	Intel® Pentium® N4200 quad core
	Frequency	1.1GHz, turbo boot to 2.5GHz.
	L2 Cache	3 MB
	Memory	1 x 4GB SODIMM DDR3L 1600 MHz
	Storage	1 x 64GB 3D TLC mSATA 1 x 2.5" SATA bay (optional; requires a bracket module for installation)
	Network (LAN)	2 x 10/100/1000 Mbps Ethernet (Intel I211-AT)
	I/O	2 x Serial ports: 1 x RS-232, 1 x RS-232/422/485 (Adjustable through BIOS) 2 x USB 3.0, 2 x USB 2.0 1 x Line-out 1 x HDMI
	Expansion	1 x Mini PCIe
	Watchdog Timer	255 timer levels, set up by software
Speaker	2 x 1W	
Physical Characteristics	Dimensions	419.7 x 269 x 58.6 mm (16.52 x 10.59 x 2.3 in)
	Weight	4.7 kg (10.36 lb)
OS Support	OS Support	Microsoft® Windows 10 IOT LTSC
Power Consumption	Input Voltage	12 ~ 24 V _{DC} 100-240 V _{AC} (90W A/D adapter in the accessory box)
	Power Consumption	33W
LCD	Display Type	15.6" TFT LCD (LED backlight)
	Max. Resolution	1366 x 768
	Viewing Angle	85 (Left), 85 (Right), 80 (Up), 80 (Down)
	Luminance (cd/m ²)	400
	Contrast Ratio	500
	Backlight Lifetime	50,000 hr (min.)
Touchscreen	Touch Type	Multi-touch projected capacitive
	Light Transmission	90% ± 2%
	Controller	USB Interface
Environment	Operating Temperature	0 ~ 50 °C (32 ~ 122 °F) with mSATA/SSD
	Storage Temperature	-20 ~ 60 °C (-4 ~ 140 °F)
	Relative Humidity	10 ~ 95% @ 40 °C (Non-Condensing)
	Shock	Operating 10 G Peak Acceleration (11 ms Duration), Follows IEC 60068-2-27
	Vibration	Operating Random Vibration Test 5~500Hz, 1Grms @with HDD; 2Grms @with SSD, Follows IEC 60068-2-64
	EMC	CE, FCC Class B, BSMI, EN 60601-1-2
	Safety	CB, UL, CCC
Front Panel Protection	IP65 compliant	

Dimensions

Unit: mm

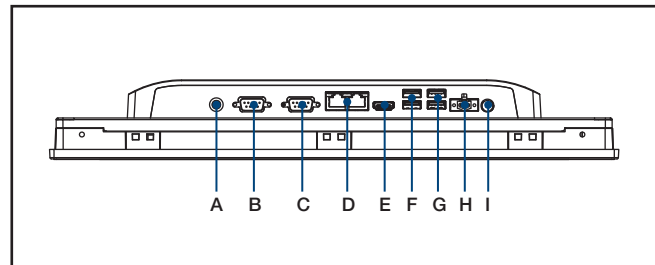


Panel Cutout Dimensions: 413 x 262 mm (16.25 x 10.31 in)

Ordering Information

Part Number	Description
PPC-3150SW-MART	15.6" Panel PC with Win 10 LTSC and N4200, 4GB DDR3L, 64GB 3D TLC mSATA, 90W power adapter
1700001524	POWER Cord 3P UL 10A 125V 180cm
170203183C	POWER Code 3P Europe (WS-010+083)183 cm
1700008921	POWER CORD 3P/3P POWER SUPPLY 1.8 M PSE
96CB-POWER-B-1.8MB	Power code 3P CCC(China) 1.8M
PPC-174T-WL-MTE	Wall mount kit for PPC series
PPC-STAND-A1E	Stand for PPC series
PPC-ARM-A03	ARM VESA Standard (A-CLEVER) for PPC series
PPC-WLAN-C1E	M.2 Wi-Fi Module with Antenna cable support 2T2R
PPC-HDD-N4200	HDD Bracket module for PPC-3150SW and PPC-3180SW

I/O View



- A. Line out
- B. COM1: RS-232
- C. COM2: RS-232/422/485
- D. 2 x LAN
- E. HDMI
- F. 2 x USB 3.0
- G. 2 x USB 2.0
- H. DC-In
- I. Power Switch

Please note: If some optional modules are offered with the system, additional system certificates may be required in certain regions/countries. Please contact Advantech for certificate compliance.