

MNT-3215

21.5" Full HD Monitor

Preliminary



Features

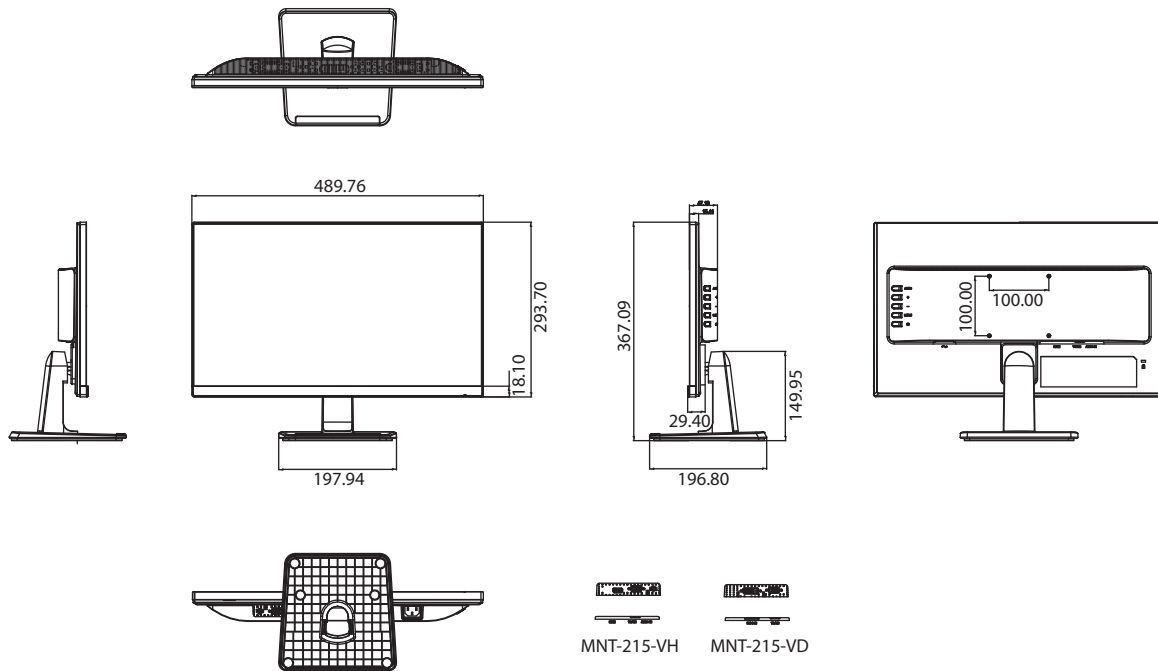
- 21.5" active screen size
- Narrow front bezel design for extremely simple design
- Slim and compact outline dimensions
- Stable and durable desktop stand
- Full HD vivid and colorful viewing experience
- Excellent display performance with super wide viewing angle
- Flexible power input, supporting both AC and DC power sources
- Multiple SKUs for choices
 - Outline housing, Classic black or elegant white
 - LOGO at front bezel, Advantech logo or no any logo
 - Video input, VGA+HDMI or VGA+DVI

Specifications

Brand		Advantech		
Display	Active Screen Size		21.5 inch	
	Resolution		1920 x 1080 (FHD)	
	Brightness		250 nits (Typ.)	
	Contrast Ratio		1000:1 (Typ.)	
	Aspect Ratio		16:9 (Wide)	
	Viewing Angle		89° / 89° / 89° / 89° (Typ.)	
	Response Time		14 ms	
	Backlight Life (hours)		30,000 (Typ.)	
Touch	Touch Type		N/A	
	Touch Function		N/A	
	Touch Interface		N/A	
	Touch Method		N/A	
	Stylus Pen		N/A	
Connectivity	Input	Video	VGA x 1, HDMI x 1	
		Audio	Audio line in x 1	
		Control	N/A	
		Other slots/ports	N/A	
	Output	Video	N/A	
		Audio	2W+2W Internal Speaker	
Control		N/A		
System	OS		N/A	
	CPU		N/A	
	Memory		N/A	
	OSD Language		English, Spanish, French, Portuguese, Russian, Simplified Chinese, Traditional Chinese, Korean	
	OSD Function			
Power	Power Type		Internal power board	
	Power Input-AC		100-240V _{AC} , 50-60Hz	
	Power Consumption		27 W	
Environment	Operating	Temperature	0°C ~ 40°C	
		Humidity	15% to 90% (non-condensing)	
	Storage	Temperature	-20 ~ 60 °C	
		Humidity	15% to 90% (non-condensing)	
Mechanical Specification	Housing Material		Texture (Black/White)	
	Waterproof Rating		N/A	
	VESA CompatMBility		100 x 100 mm	
	Side mount screw hole		N/A	
	Hand Hoder/Stand		Stand	
	Cable Management		N/A	
	Dimensions (W x H x D)	Physical without stand		TBD
		Packing		558 x 375 x 139 mm
	Weight	Net		TBD
		Gross		TBD
Installation	Installation rotation		Landscape	
	Mounting on a wall		100 x 100 mm, VESA grid	
	Mounting with stand/arm		100 x 100 mm, VESA grid	
	Mounting through bracket		N/A	
	Extending PC/peripherals		N/A	
Certificate		BSMI, CB, CCC, CE, FCC		
Warranty		2-year (1-year for panel)		

Dimensions

Unit: mm



Ordering Information

Part Number		Description	Packing List
Black housing, no logo	White housing, no logo		
MNT-3215-FD25BA-V1	MNT-3215-FD25WA-V1	Advantech 21.5" Full HD Monitor, VGA/HDMI (incl. Japan, Korea, Australia, and Middle East Power Cord)	<ul style="list-style-type: none"> Power Cord (1.5M, Black) VGA Cable (1.5M, Black) HDMI Cable (1.5M, Black) Audio Cable (1.5M, Black) Desktop Stand (Black/White housing) Startup Manual (Paper)
MNT-3215-FD25BC-V1	MNT-3215-FD25WC-V1	Advantech 21.5" Full HD Monitor, VGA/HDMI (incl. China Power Cord)	
MNT-3215-FD25BX-V1	MNT-3215-FD25WX-V1	Advantech 21.5" Full HD Monitor, VGA/HDMI (incl. Europe, Taiwan, UK, and US Power Cord)	
MNT-3215-FD25BA-V2	MNT-3215-FD25WA-V2	Advantech 21.5" Full HD Monitor, VGA/DVI (incl. Japan, Korea, Australia, and Middle East Power Cord)	<ul style="list-style-type: none"> Power Cord (1.5M, Black) VGA Cable (1.5M, Black) DVI Cable (1.5M, Black) Desktop Stand (Black/White housing) Startup Manual (Paper)
MNT-3215-FD25BC-V2	MNT-3215-FD25WC-V2	Advantech 21.5" Full HD Monitor, VGA/DVI (incl. China Power Cord)	
MNT-3215-FD25BX-V2	MNT-3215-FD25WX-V2	Advantech 21.5" Full HD Monitor, VGA/DVI (incl. Europe, Taiwan, UK, and US Power Cord)	
Black housing, Advantech logo	White housing, Advantech logo	Description	Packing List
MNT-3215-FD25BA-V3	MNT-3215-FD25WA-V3	Advantech 21.5" Full HD Monitor, VGA/HDMI, Advantech logo (incl. Japan, Korea, Australia, and Middle East Power Cord)	<ul style="list-style-type: none"> Power Cord (1.5M, Black) VGA Cable (1.5M, Black) HDMI Cable (1.5M, Black) Audio Cable (1.5M, Black) Desktop Stand (Black/White housing) Startup Manual (Paper)
MNT-3215-FD25BC-V3	MNT-3215-FD25WC-V3	Advantech 21.5" Full HD Monitor, VGA/HDMI, Advantech logo (incl. China Power Cord)	
MNT-3215-FD25BX-V3	MNT-3215-FD25WX-V3	Advantech 21.5" Full HD Monitor, VGA/HDMI, Advantech logo (incl. Europe, Taiwan, UK, and US Power Cord)	
MNT-3215-FD25BA-V4	MNT-3215-FD25WA-V4	Advantech 21.5" Full HD Monitor, VGA/DVI, Advantech logo (incl. Japan, Korea, Australia, and Middle East Power Cord)	<ul style="list-style-type: none"> Power Cord (1.5M, Black) VGA Cable (1.5M, Black) DVI Cable (1.5M, Black) Desktop Stand (Black/White housing) Startup Manual (Paper)
MNT-3215-FD25BC-V4	MNT-3215-FD25WC-V4	Advantech 21.5" Full HD Monitor, VGA/DVI, Advantech logo (incl. China Power Cord)	
MNT-3215-FD25BX-V4	MNT-3215-FD25WX-V4	Advantech 21.5" Full HD Monitor, VGA/DVI, Advantech logo (incl. Europe, Taiwan, UK, and US Power Cord)	