

# VUE-3270

## 27" Touch Monitor

**Preliminary**



### Features

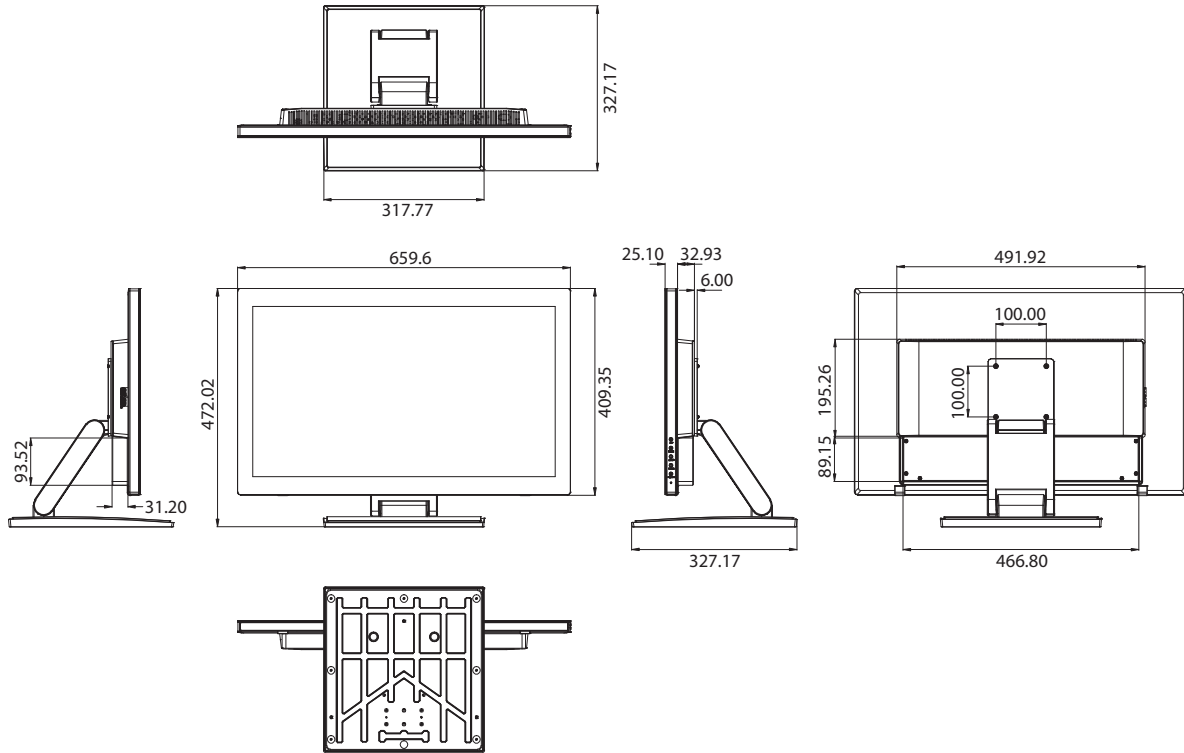
- 27" active screen size
- 6-axis color adjustment (Green/Red/Blue/Cyan/Magenta/Yellow) for high level and more accuracy customized image
- Full-flat cover glass for extremely simple and elegant surface design
- Anti-glare (AG) treatment on screen for comfortable viewing experience and clean environment
- Front IP65 water-proof rating and IK08 high-level impact protection
- Adopts industrial-grade components for guaranteed performance
- Support 10-point touch function (PCAP technology)
- Excellent touch noise immunity well-suited for rugged applications (CS 10V)
- Compliant with many touch methods including fingers, glove, and stylus
- Built-in multiple I/O interfaces for diverse media connectivity

### Specifications

<b>Display</b>	Active Screen Size		27.0 inch
	Resolution		1920 x 1080 (FHD)
	Brightness		300nits (Typ.)
	Contrast Ratio		3000:1
	Aspect Ratio		16:9 (Wide)
	Viewing Angle		89° / 89° / 89° / 89° (Typ)
Backlight Life (hours)		30,000 (Typ.)	
<b>Touch</b>	Touch Type		Projected Capacitive Touch (PCAP)
	Touch Function		10 points
	Touch Interface		USB
	Touch Method		Finger/Glove
	Stylus		Active Pen (optional accessory)
<b>Connectivity</b>	Input	Video	VGA x 1, HDMI x 1, DVI-D x 1, DisplayPort x 1
		Audio	Audio line in x 1
		Control	USB typeB x 1 (for touch function)
		Others	USB3.0 x 2
	Output	Video	N/A
		Audio	2W+2W Internal Speaker
Control		N/A	
<b>System</b>	OS		N/A
	OSD Language		English, Spanish, French, Portuguese, Russian, Simplified Chinese, Traditional Chinese, Korean
	OSD Function		TBD
<b>Power</b>	Power Type		External Adapter, AC to DC, 19V
	Power Input-AC		100-240V <sub>AC</sub> , 50-60Hz, 1.5A
	Power Consumption		TBD
<b>Environment</b>	Operating	Temperature	0°C ~ 40°C
		Humidity	10% to 85% (non-condensing)
	Storage	Temperature	-20 ~ 60 °C
		Humidity	5% to 80% (non-condensing)
<b>Mechanical Specification</b>	Housing Material		Texture (Black/White)
	Waterproof Rating		Front IP65
	VESA Compatibility		100 x 100 mm
	Side mount screw hole		N/A
	Hand Hoder/Stand		Yes, with hinge stand
	Cable Management		N/A
	Dimensions (W x H x D)	Physical with stand	658.5 x 472.0 x 62.5 mm
		Packing	780 x 534 x 217 mm
	Weight	Net	10 kg
Gross		13.4 kg	
<b>Installation</b>	Installation rotation		Landscape
	Mounting on a wall		100 x 100 mm, VESA grid
	Mounting with stand/arm		100 x 100 mm, VESA grid
	Mounting through bracket		N/A
	Extending PC/peripherals		N/A
<b>Certificate</b>		CB, UL, BSMI, CCC, CE, UKCA, FCC, CEC, ErP lot5	
<b>Warranty</b>		2 years	

**Dimensions**

Unit: mm



**Ordering Information**

Part Number		Description	Packing List
Black housing	White housing		
VUE-3270-FD30PA-A4	VUE-3270-FD30PA-A3	Advantech 27" Full HD PCAP Touch Monitor (incl. Japan, Korea, Australia, and Middle East Power Cord)	<ul style="list-style-type: none"> <li>▪ Power Cord (1.5M, Black)</li> <li>▪ Power Adaptor (1.5M, Black)</li> <li>▪ VGA Cable (1.5M, Black)</li> <li>▪ HDMI Cable (1.5M, Black)</li> <li>▪ DisplayPort Cable (1.5M, Black)</li> <li>▪ DVI Cable (1.5M, Black)</li> <li>▪ USB Cable (1.8M, Black)</li> <li>▪ Audio Cable (1.5M, Black)</li> <li>▪ Hinge Stand (Black/White housing)</li> <li>▪ Startup Manual (Paper)</li> </ul>
VUE-3270-FD30PC-A4	VUE-3270-FD30PC-A3	Advantech 27" Full HD PCAP Touch Monitor (incl. China Power Cord)	
VUE-3270-FD30PX-A4	VUE-3270-FD30PX-A3	Advantech 27" Full HD PCAP Touch Monitor (incl. Europe, Taiwan, UK and US Power Cord)	

**Optional Accessories**

Part Number	Description
960T-A15DEE-B0	Active Stylus Pen for VUE-2000 and VUE-3000 series, Black
960T-CM-V3K270	Cable management kit for VUE-3270