

VUE-5860 UHD

Advantech 86" Touch Digital Signage

Preliminary



Features

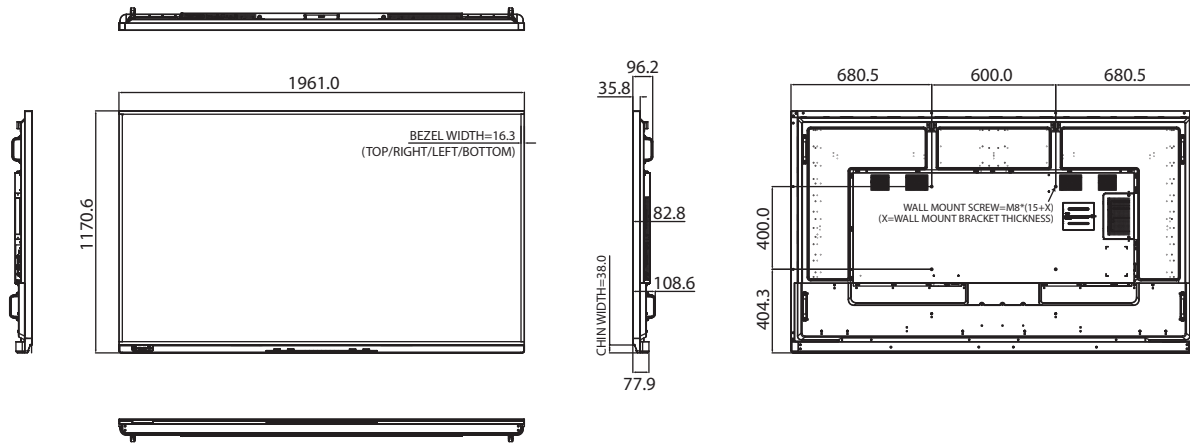
- 86" active screen size
- Vivid 4K Ultra HD resolution
- Excellent 20-finger touch performance (IR touch technology)
- Adopt industrial-grade materials
- Reliable 18x7 operation (at least)
- With SDM-L slot for smart AIO solution (all-in-one PC)
- Convenient USB Plug and Play function
- Diverse connectivity for multi-media needs
- Support both AC and DC power input (AC power structure, DC input at specific range)

Specifications

Model		IR touch		
Display	Active Screen Size		86 inch	
	Resolution		3840 x 2160	
	Colors		8 bit (16.7M)	
	Brightness		500 nits	
	Contrast Ratio		1200:1 (Typ.)	
	Aspect Ratio		16:9	
	Viewing Angle		89° / 89° / 89° / 89°	
	Response Time		8 ms (Typ.)	
Backlight Life (hours)		30,000 (Typ.)		
Touch	Touch Type		Infrared Touch (IR)	
	Touch Function		20-Point Touch (USB type B interface)	
Connectivity	Input	Video	VGA x 1, DVI x 1, HDMI x 2, DisplayPort x 1, DVI-I x 1	
		Control	RS232 x 1, IR x 1, LAN x 1	
		Other slot/ports	USB 2.0 x 1, USB 3.0 x 1, SD Card x 1	
	Output	Video	HDMI x 1	
Control		RS232 x 1, IR x 1		
System	Internal Speaker		15W+15W	
	Control Function		IR Remote Control, RS232, LAN, Hot key	
	OTS Language		English / German / French / Italian / Spanish / Russian / Polish / Turkish / Traditional Chinese / Simplified Chinese	
	Source Auto detect		Yes	
Power	Power Type		AC	
	Power Input		100 - 240V, 50 - 60Hz, 2.5A	
	Power Consumption		383 W	
Environment	Operating	Temperature	0 ~ 40 °C	
		Humidity	20 -80 % (without condensation)	
	Storage	Temperature	-20 ~ 60 °C	
		Humidity	10 to 90%(without condensation)	
Mechanical Specification	Rotation		Landscape/Portrait	
	VESA Compatibility		600 x 400 mm (23.6 x 15.7 in.)	
	Hand Hoder		yes	
	Bezel Width	T/L/R/B	Even bezel width 16.3 mm (0.64 in.)	
	Dimensions (W x H x D)	Physical without stand	1961 x 1170 x 35.8 mm (77.2 x 46 x 1.41 in.)	
		Packing	2145 W x 280 D x 1372H mm (84.45 x 11 x 54 In.)	
Weight	Net	79.2 kg / 174.6 lb.		
	Gross	92.1 kg / 203 lb.		
Approbation	Certificates (AC power architecture)		CB, BSMI, CE, FCC	
	MTBF (hours)		30,000	
Warranty		2-year (1-year for panel)		

Dimensions

Unit: mm [inch]



Ordering Information

Part Number	Description	Packing List
VUE-5860-UD50IA-V0	Advantech 86" Ultra HD Touch Digital Signage (incl. Japan, Korea, Australia, and Middle East Power Cord)	<ul style="list-style-type: none"> ▪ Power cable (1.8 M) ▪ VGA cable (1.8 M) ▪ HDMI cable (1.8 M) ▪ DisplayPort cable (1.8 M) ▪ USB cable (1.8 M) ▪ RS-232 cable (1.8 M) ▪ Remote control ▪ StartUp Manual (Paper)
VUE-5860-UD50IC-V0	Advantech 86" Ultra HD Touch Digital Signage (incl. China Power Cord)	
VUE-5860-UD50IX-V0	Advantech 86" Ultra HD Touch Digital Signage (incl. Europe, Taiwan, UK, and US Power Cord)	

* IR & none touch model only

Optional Accessories

Part Number	Description
960T-WM-80H50V	Wall Mount for Signage, support 85kg, VESA 800x500mm max. (adjustable)