

Diaphragm Pressure Switch

3.10

03.10



These diaphragm pressure switches are IP 55, and only suitable for applications where IP 55 execution is permitted. The sensing element is a metallic diaphragm and acts directly on the microswitch through a self-centering pivot. The simplicity of the design, without levers, cams or similar mechanism, gives the unit an exceptionally long working life.

Functional and constructive characteristics

Ranges: 0...1 bar/0...25 bar; -1...0 bar.

Electrical specifications: N. 1 SPDT microswitches. (see microswitches table)

Differential: fixed.

Repeatability: - 1% of the full setting value.

Set-point adjustment: internal, micrometric adjustable.

Protection: IP 55 as per IEC 529.

Cable exit: PG 11 cable gland (cables \varnothing 6...11).

Electrical wiring: terminal screw, directly on microswitch.

Earth contacts: N. 1 internal.

Process temperature: max +100°C.

Ambient temperature: -25...+65 °C.

Thermic drift: - 0,05% / °C.

Process connection: anticorrosional aluminium blue anodized, 1/4" NPT F.

Elastic element: AISI 316 st.st. diaphragm for pressure ranges - 2,5 bar; carbon steel diaphragm covered with AISI 316 st.st. for pressure ranges 4...25 bar.

Gasket: PTFE.

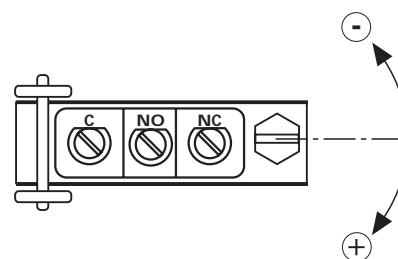
Case: anticorrosional aluminium blue anodized.

Cover: anticorrosional aluminium yellow anodized.

Tag: AISI 304 st.st. silk-screen painted.

Set-point adjustment

With the cover removed:
the adjusting screw can be turned clockwise to increase the operating pressure and anticlockwise to reduce it.
(see drawing below)



MICROSWITCHES - ohmic load

Type	N.1 micro code	250	125	125	24
		Vac	Vac	Vdc	Vdc
std.	C	15A	15A	0,5A	2A
splash proof	G	15A	15A	0,5A	2A
goldplated	I		1A		1A
inert gas filled	M	15A	15A	0,5A	2A
goldplated & inert gas filled	N		1A		1A

diaphragm pressure switch

3.10

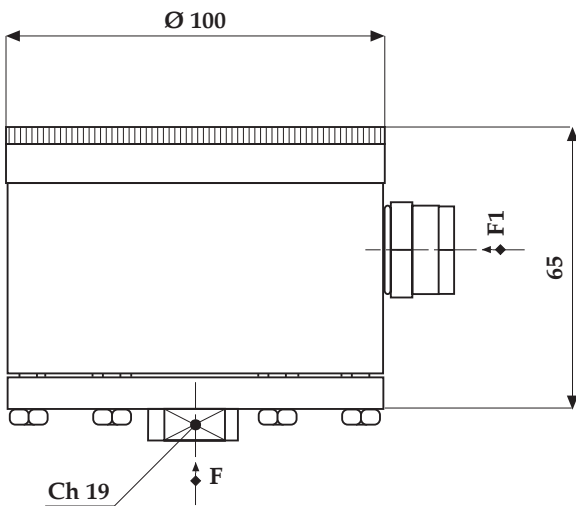
SETTING RANGES

Setting ranges	Test pressure	Differential 1 MICRO type C,G,M (2)
0,05÷1 bar (1)	1,3 bar	40 mbar
0,05÷1,6 bar (1)	2 bar	40 mbar
0,06÷2,5 bar (1)	3 bar	50 mbar
0,08÷4 bar	5 bar	60 mbar
0,12÷6 bar	8 bar	100 mbar
0,15÷10 bar	12 bar	120 mbar
0,25÷16 bar	20 bar	200 mbar
0,4÷25 bar	30 bar	300 mbar

(1) available also for vacuum & compound.

(2) differential and minimum set-point values for goldplated microswitches (type I,N) are 300% of those shown in table.

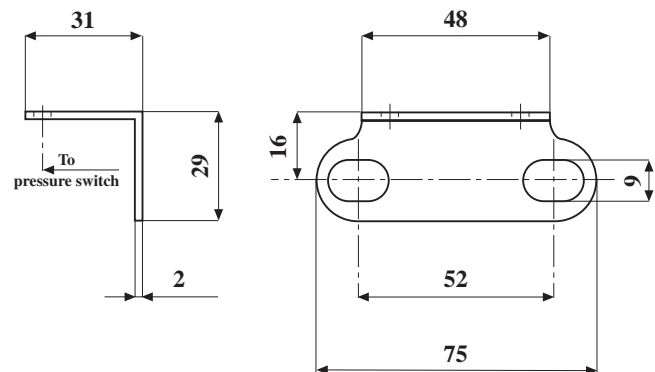
WEIGHT AND DIMENSIONS (mm.)



F = process connection.
F1 = cable exit.

Weight 0,85 Kg.

WALL MOUNTING BRACKET



HOW TO ORDER

DESCRIPTION & CODE	
03	03- section
10	10 - type 3.10
0/10 bar	see setting ranges table
C	see microswitches table
0	Cable exit 0 - PG 11 cable gland (cable \varnothing 6÷11)
23F	Process connection 23F - 1/4" NPT F
0	Process connection material 0 - standard
S15	Options S15 - wall mounting bracket

ACCESSORIES

Diaphragm seals, for pressure ranges ≥ 1 bar: a complete range of diaphragm seals is available with a choice of materials of construction. Specifically for corrosive and difficult process fluids plus hygienic applications. For further details refer to our catalogue, select only diaphragm with $\varnothing \geq 63$ mm.

Pigtail and siphons: recommended with temperatures of 65° C (150° F) or over. For further details refer to our catalogue 05.5xx.



DRUCK & TEMPERATUR Leitenberger GmbH
Postfach 64 • D-72136 Kirchentellinsfurt • Germany
Tel.: 0 71 21 - 9 09 20 - 0 • Fax: 0 71 21 - 9 09 20 - 99
E-Mail: dt-info@leitenberger.de
INTERNET-Site: http://www.leitenberger.de