

08/2021



**⚠** Above stated body materials refer to the valve port connections that get in contact with the media only!

**details needed**

- orifice
- port
- function NC/NO
- operating pressure
- flow rate
- media
- media temperature
- ambient temperature
- nominal voltage

**⚠** The valves' technical design is based on media and application requirements. This can lead to deviations from the general specifications shown on the data sheet with regards to the design, sealing materials and characteristics.

**⚠** If order or application specifications are incomplete or imprecise there exists a risk of an incorrect technical design of the valve for the required application. As a consequence, the physical and / or chemical properties of the materials or seals used, may not be suitable for the intended application.

**2/2-way valve**

**pressure range**

**orifice**

**connection**

**function**

**direct acting**

PN 0-10 bar

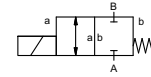
DN 20 mm

thread

valve

normally closed

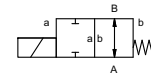
symbol **NC**



valve

normally open

symbol **NO**



**design**

**body materials**

pressure balanced, with spring return

① brass

③ brass, nickel plated

**valve seat**

synthetic resin on metal

**seal materials**

NBR

FPM

**ports**

RSV threads G 3/4 - G 1

**function**

NC

NO

**pressure range**

0-10

**Kv value**

m³/h 6,8

**vacuum**

low vacuum

**pressure-vacuum**

P<sub>1</sub> ↔ P<sub>2</sub>

upon request

**back pressure**

P<sub>2</sub> > P<sub>1</sub>

**media**

gaseous - liquid

**abrasive media**

**damping**

opening

closing

A ↔ B as marked

1/min 140

ms opening 120

closing 160

°C DC: -10 to +80

AC: -10 to +80

°C DC: -10 bis +80

AC: -10 bis +80

**limit switches**

**manual override**

**approvals**

**mounting**

**weight**

**additional equipment**

upon request

mounting bracket / mounting holes

kg 4,0

upon request

**electrical specifications**

U<sub>n</sub> DC 24 V +5%/-10%

U<sub>n</sub> AC 230 V +5%/-10% 40-60 Hz

DC direct-current magnet

AC direct-current magnet with integrated rectifier

**options**

special voltage upon request

special voltage upon request

**nominal voltage**

**actuation**

**insulating rating**

H 180°C

**protection**

IP65

**energized duty rating**

ED 100%

**connection**

plug acc. DIN EN 175301-803 form A, 4 terminal box M16x1,5 positions x90° / wire diameter 6-8 mm

**optional**

**additional equipment**

illuminated plug with varistor

**current consumption**

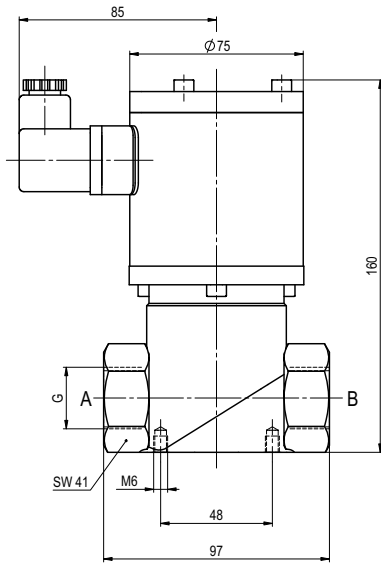
N-coil DC 24 V 1,70 A  
AC 230 V 40-60 Hz 0,16 A

**explosion proof**

**limit switches**

■ specifications not highlighted are standard  
 ■ specifications highlighted in grey are optional

function: **NC**  
closed when not energized



function: **NO**  
open when not energized

