

08/2021



⚠ Above stated body materials refer to the valve port connections that get in contact with the media only!

details needed

- orifice
- port
- function NC/NO
- operating pressure
- flow rate
- media
- media temperature
- ambient temperature
- nominal voltage

⚠ The valves' technical design is based on media and application requirements. This can lead to deviations from the general specifications shown on the data sheet with regards to the design, sealing materials and characteristics.

⚠ If order or application specifications are incomplete or imprecise there exists a risk of an incorrect technical design of the valve for the required application. As a consequence, the physical and / or chemical properties of the materials or seals used, may not be suitable for the intended application.

2/2-way valve

pressure range

orifice

connection

function

direct acting

PN 0-40 bar

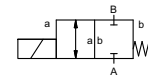
DN 10 mm

thread

valve

normally closed

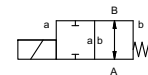
symbol **NC**



valve

normally open

symbol **NO**



design

body materials

pressure balanced, with spring return

① brass

②

③ brass, nickel plated

⑤

④

⑥ stainless steel

⑦ aluminium

valve seat

synthetic resin on metal

seal materials

NBR

FPM, CR, EPDM

ports

MK threads G 1/4 - G 3/4

options

special threads

function

NC

NO

pressure range

0-16 / 0-40

Kv value

m³/h 2,5

vacuum

leak rate

< 10⁻⁶ mbar•L•s⁻¹

pressure-vacuum

P₁ ↔ P₂

upon request

back pressure

P₂ > P₁

available (max. 16 bar)

media

gaseous - liquid - contaminated

abrasive media

damping

opening

closing

A ↔ B as marked

bi-directional (max. 16 bar)

flow direction

switching cycles

switching time

1/min 200

ms opening 25

closing 25

media temperature

°C DC: -10 to +100

-30 to +120

AC: -10 to +100

-30 to +120

ambient temperature

°C DC: -10 to +80

AC: -10 to +80

limit switches

manual override

approvals

mounting

weight

additional equipment

inductive

LR/GL/WAZ

mounting brackets

kg MK 1,5

upon request

electrical specifications

options

U_n DC 24 V +5%/-10%

special voltage upon request

U_n AC 230 V +5%/-10% 40-60 Hz

special voltage upon request

DC direct-current magnet

AC direct-current magnet with integrated rectifier

nominal voltage

actuation

insulating rating

protection

energized duty rating

connection

H 180°C

IP65

ED 100%

plug acc. DIN EN 175301-803 form A, 4 terminal box M16x1,5 positions x90° / wire diameter 6-8 mm

optional

additional equipment

current consumption

M12x1 connector acc. DESINA connector acc. VDMA

illuminated plug with varistor

N-coil DC 24 V 1,00 A

AC 230 V 40-60 Hz 0,13 A

H-coil DC 24 V 1,29 A

AC 230 V 40-60 Hz 0,16 A

explosion proof

limit switches

inductive (B)

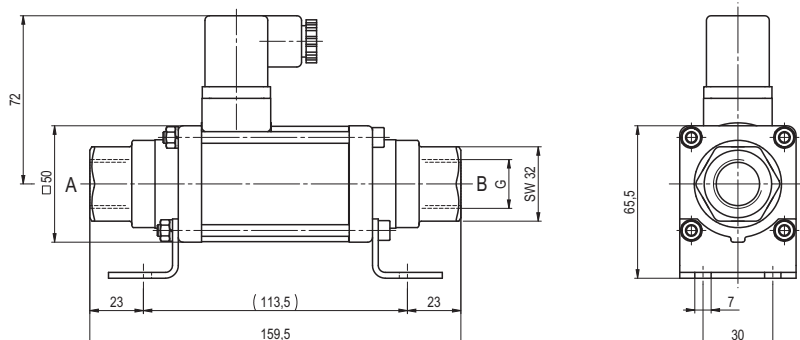
normally open-PNP

■ specifications not highlighted are standard
 ■ specifications highlighted in grey are optional

coax® data sheet - coaxial valve

type MK 10

function: **NC**
closed when not energized



function: **NO**
open when not energized

