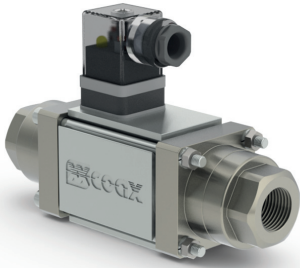


08/2021



**⚠** Above stated body materials refer to the valve port connections that get in contact with the media only!

**details needed**

- orifice
- port
- function NC/NO
- operating pressure
- flow rate
- media
- media temperature
- ambient temperature
- nominal voltage

**⚠** The valves' technical design is based on media and application requirements. This can lead to deviations from the general specifications shown on the data sheet with regards to the design, sealing materials and characteristics.

**⚠** If order or application specifications are incomplete or imprecise there exists a risk of an incorrect technical design of the valve for the required application. As a consequence, the physical and / or chemical properties of the materials or seals used, may not be suitable for the intended application.

**2/2-way valve**

**pressure range**

**orifice**

**connection**

**function**

**direct acting**

PN 0-64 / 0-100 bar

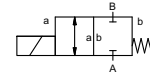
DN 10 / 8 mm

thread

valve

normally closed

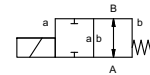
symbol **NC**



valve

normally open

symbol **NO**



**design**

**body materials**

pressure balanced, with spring return

① brass

②

③

⑤

④

⑥ stainless steel

⑦ aluminium

**valve seat**

synthetic resin on metal

**seal materials**

NBR

PTFE, FPM, EPDM

**ports**

MK threads G 1/4 - G 3/4

**options**

special threads

**function**

NC

NO

**pressure range**

0-64 | 0-100

**Kv value**

m³/h 2,3 | 1,6

**vacuum**

leak rate

< 10<sup>-6</sup> mbar•L•s<sup>-1</sup>

**pressure-vacuum**

P<sub>1</sub> ↔ P<sub>2</sub>

upon request

**back pressure**

P<sub>2</sub> > P<sub>1</sub>

upon request

**media**

gaseous - liquid - contaminated

**abrasive media**

opening

**damping**

closing

**flow direction**

A ↔ B as marked

bi-directional upon request

**switching cycles**

1/min 200

**switching time**

ms opening 135

closing 20

**media temperature**

°C DC: -10 to +100

-30 to +120

AC: -10 to +100

-30 to +120

**ambient temperature**

°C DC: -10 to +80

AC: -10 to +80

**limit switches**

upon request

**manual override**

LR/GL/WAZ

**approvals**

mounting brackets

**mounting**

**weight**

kg MK 2,2

**additional equipment**

upon request

**electrical specifications**

**options**

U<sub>n</sub> DC 24 V +5%/-10%

special voltage upon request

U<sub>n</sub> AC 230 V +5%/-10% 40-60 Hz

special voltage upon request

DC direct-current magnet

AC direct-current magnet with integrated rectifier

**nominal voltage**

**actuation**

**insulating rating**

H 180°C

**protection**

IP65

**energized duty rating**

ED 100%

**connection**

plug acc. DIN EN 175301-803 form A, 4 terminal box M16x1,5 positions x90° / wire diameter 6-8 mm

**optional**

M12x1 connector acc. DESINA

connector acc. VDMA

**additional equipment**

illuminated plug with varistor

**current consumption**

N-coil DC 24 V 1,33 A

AC 230 V 40-60 Hz 0,14 A

**explosion proof**

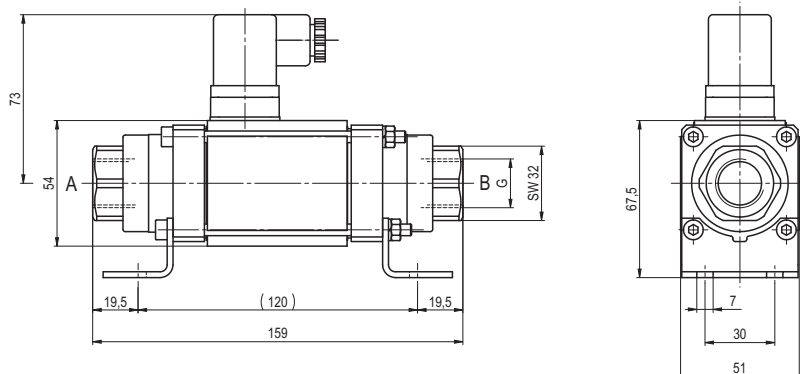
**limit switches**

■ specifications not highlighted are standard  
 ■ specifications highlighted in grey are optional

# coax® data sheet - coaxial valve

type MK 10 64/100 bar

function: **NC**  
closed when not energized



function: **NO**  
open when not energized

