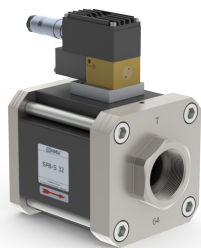
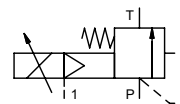


# pressure limitation valve

## type SPB-S 32



**control valve** proportional  
**pressure range** PN 5-64 bar  
**orifice** DN 32 mm  
**connection** thread  
**function** stepless  
 pressure regulation  
 bypass version



**⚠** Above stated body materials refer to the valve port connections that get in contact with the media only!

**design** externally controlled with spring return  
**body materials** ① ④  
 ② steel, galvanized ⑤  
 ③ ⑥  
**valve seat** metal on metal  
**seal materials** FPM, PTFE

**details needed for main valve**

- orifice
- port
- pressure regulating range
- flow rate
- media
- media temperature
- ambient temperature

**details needed for proportional valve**

- nominal voltage
- actuation pressure range min/max

**general specifications**

<b>ports</b>	SPB	threads G 1 1/2	<b>options</b>	SAE port DIN ISO 6162
<b>function</b>	stepless regulation			
<b>pressure regulation range</b>	bar 5-64			
<b>flow rate</b>	m³/h 24,0			
<b>media</b>	liquid - highly viscous - contaminated			
<b>abrasive media</b>	P ⇌ T as marked			
<b>flow direction</b>	ms < 900			
<b>settling time</b>	°C 0 to +60			
<b>media temperature</b>	°C 0 to +50			
<b>ambient temperature</b>	approvals			
<b>mounting</b>	mounting holes			
<b>weight</b>	kg 8,4			
<b>additional equipment</b>				

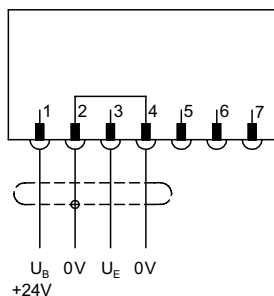
**electrical specifications**

<b>nominal voltage</b>	U <sub>B</sub>	DC 24 V (max. residual ripple 10 %)	<b>options</b>	
<b>current consumption</b>	DC	< 0,7 A		
<b>control signals</b>	U <sub>E</sub>	0-10 V (R <sub>E</sub> 10 KΩ)		
<b>protection</b>	IP65 (P54)	acc. DIN 40050		
<b>energized duty rating</b>	ED	100 % (observe the connection conditions accordingly)		
<b>connection</b>	plug with 7 contacts / wire diameter 6-8 mm			

**pneumatic specifications**

<b>actuation pressure range</b>	bar	see actuation pressure-diagram	<b>options</b>	
<b>compressed air</b>	DIN ISO 8573-1 grade of compressed air quality 5/4/3			
<b>control</b>	by 3/2 way proportional valve			
<b>actuator ports</b>	1	G 1/8		

**connection plan**



**connection conditions**

When supplying the electrical set point signal to the proportional valve, the actuating air must already be present. (see actuation pressure-diagram).

**position of installation**

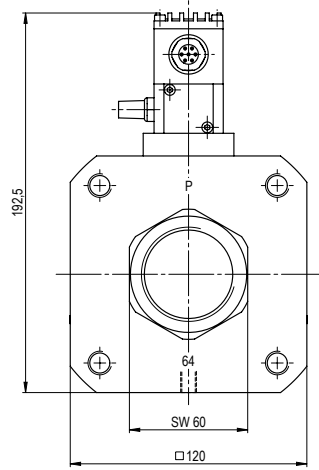
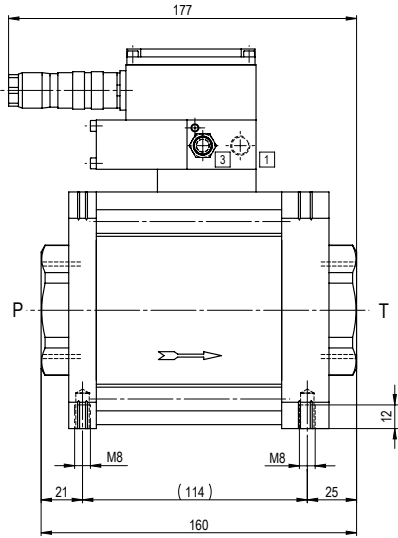
arbitrarily, but regulator not downwards.

**⚠** The valves' technical design is based on media and application requirements. This can lead to deviations from the general specifications shown on the data sheet with regards to the design, sealing materials and characteristics.

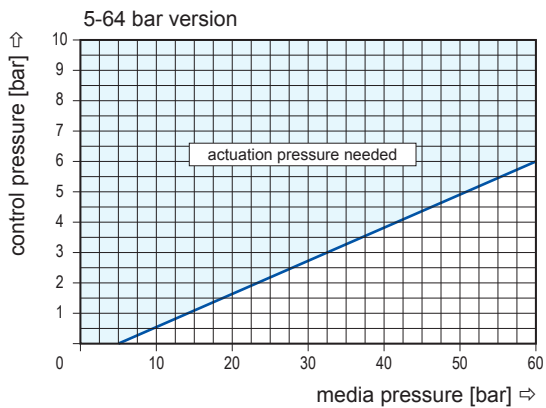
**⚠** If order or application specifications are incomplete or imprecise there exists a risk of an incorrect technical design of the valve for the required application. As a consequence, the physical and / or chemical properties of the materials or seals used, may not be suitable for the intended application.

■ specifications not highlighted are standard  
 ■ specifications highlighted in grey are optional

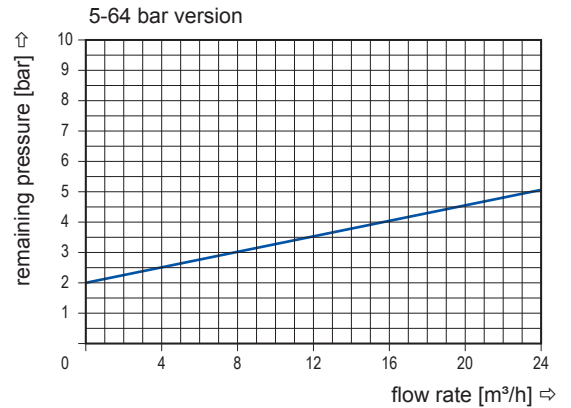
# type SPB-S 32



## actuation pressure-diagram



## pressureless circulation mode



Sound creation during low pressure circulation mode and flow Q= 24 m³/h ca. 70 dbA