

## Draw-Wire WDS-2500-P85, 2.5 m, 85 mm



Ref.: K-WDS-02500-085-1

17.11.2021

010104002502049999

### Advantages

- Easy mounting (slot nuts)
- Guide pulley, mountable
- High working reliability
- Robust Al-alloy profile body
- Standard applications

### General Data

Order number(s)	40-730-001 (Standard)
	40-730-002 (Guide pulley)
	40-730-014 (Drain boring)
Housing design	□ 85 mm
Housing material	Aluminium anodized
Measuring length	2.50 m
Gear ratio	199.92 mm/rev.
	Note: Observe name plate!
Accuracy, gear ratio	± 0.20 %
Diameter, measuring wire	1.20 mm
Material, measuring wire	Stainless steel, PA coated
Wire outlet angle	≤ ± 3 °
Linearity	± 0.035 %
	related to the measuring range
Adjusting speed	≤ 4 m/s
Wire acceleration, typically	49 m/s <sup>2</sup>
Spring retraction force	6...16 N
Options	
- Guide pulley	one-way, wire outlet linear
- With drain boring	yes

Subject to change.

TR-Electronic GmbH  
 Eglshalde 6  
 78647 Trossingen  
 Tel. +49 (0) 7425 228-0  
 info@tr-electronic.de  
[www.tr-electronic.de](http://www.tr-electronic.de)

## Draw-Wire WDS-2500-P85, 2.5 m, 85 mm

Ref.: K-WDS-02500-085-1

17.11.2021

010104002502049999

### General Data continuation

Mass, typically	1 kg
-----------------	------

### Environmental conditions

Vibration	
- Specific value	$\leq 196 \text{ m/s}^2$
- Sine	20...2000 Hz
Shock	
- Specific value	$\leq 490 \text{ m/s}^2$
- Half sine	10 ms
Working temperature	
- Standard	-20...+80 °C
Protection class	
- Standard	IP65
- Note	according mounting instruction

Subject to change.

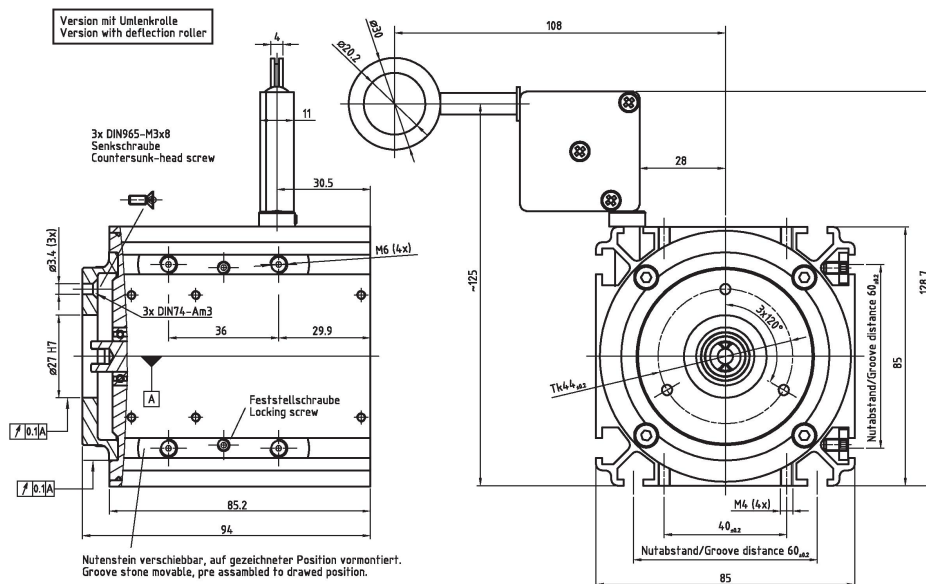
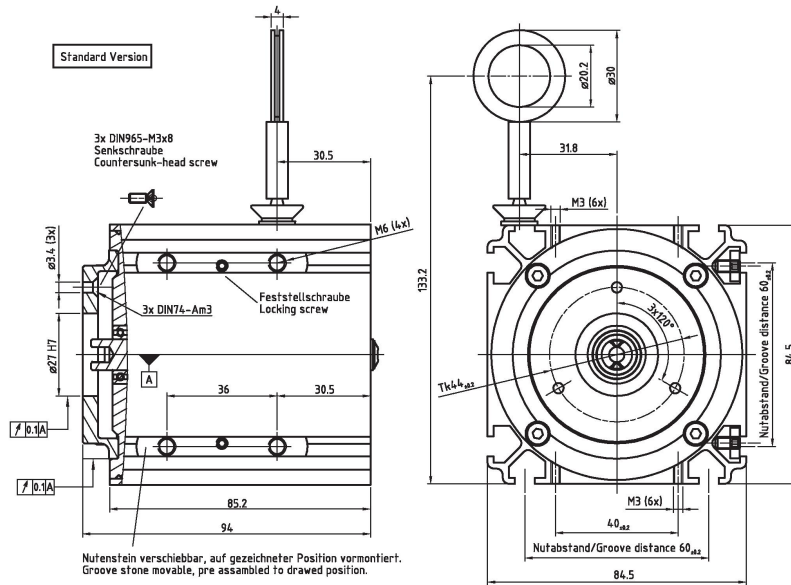
# Draw-Wire WDS-2500-P85, 2.5 m, 85 mm

Ref.: K-WDS-02500-085-1

17.11.2021

010104002502049999

## Dimensional drawing



Subject to change.

## Draw-Wire WDS-2500-P85, 2.5 m, 85 mm

Ref.: K-WDS-02500-085-1

17.11.2021

010104002502049999

### Suggested products

CMW582M*8192/4096 EPN SLG*ME2,5M 3xM12 axial	CMW582M-00002
---	---------------

CMW582M*4096/4096 SSI SLG ME 2,5M	CMW582M-00065
-----------------------------------	---------------

CMW58M*4096/4096 V000 SSI SLG*ME2,5M	CMW58M-00008
--------------------------------------	--------------

CMW58M*4096/4096 PBS-DP SLG/ME2,5M	CMW58M-00009
------------------------------------	--------------

Subject to change.