

Draw-Wire WDS-10000-P115, 10.0 m, 115 mm



Ref.: K-WDS-10000-115-1

17.11.2021

010104010002069999

Advantages

- Easy mounting (slot nuts)
- Guide pulley, mountable
- High measuring accuracy
- High working reliability
- Robust Al-alloy profile body
- Standard applications

General Data

Order number(s)	40-730-007
Housing design	□ 115 mm
Housing material	Aluminium anodized
Measuring length	10.00 m
Gear ratio	315.23 mm/rev.
	Note: Observe name plate!
Accuracy, gear ratio	± 0.06 %
Diameter, measuring wire	1.00 mm
Material, measuring wire	Stainless steel, PA coated
Wire outlet angle	<= ±3 °
Linearity	± 0.04 %
	related to the measuring range
Adjusting speed	<= 4 m/s
Wire acceleration, typically	29 m/s ²
Spring retraction force	8...21 N
Options	
- Guide pulley	one-way, wire outlet linear
Mass, typically	2.8 kg

Subject to change.

TR-Electronic GmbH
 Eglisshalde 6
 78647 Trossingen
 Tel. +49 (0) 7425 228-0
 info@tr-electronic.de
www.tr-electronic.de

Draw-Wire WDS-10000-P115, 10.0 m, 115 mm

Ref.: K-WDS-10000-115-1

17.11.2021

010104010002069999

Environmental conditions

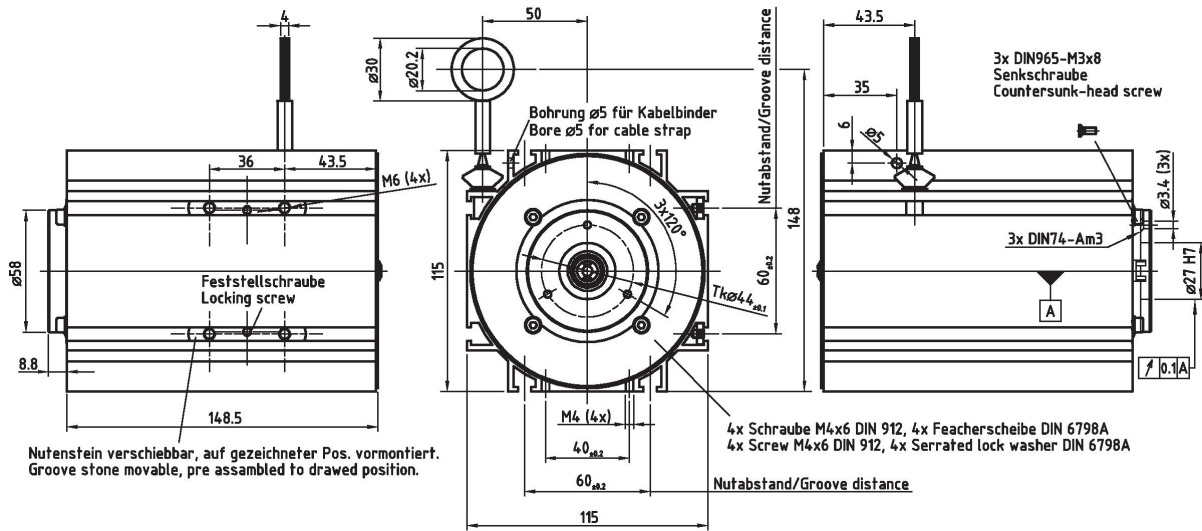
Vibration	
- Specific value	$\leq 196 \text{ m/s}^2$
- Sine	20...2000 Hz
Shock	
- Specific value	$\leq 490 \text{ m/s}^2$
- Half sine	10 ms
Working temperature	
- Standard	-20...+80 °C
Storage temperature, dry	-40...+80 °C
Protection class	
- Standard	IP65
- Note	according mounting instruction

Subject to change.

Draw-Wire WDS-10000-P115, 10.0 m, 115 mm

Ref.: K-WDS-10000-115-1
 17.11.2021
 010104010002069999

Dimensional drawing



Subject to change.

Draw-Wire WDS-10000-P115, 10.0 m, 115 mm

Ref.: K-WDS-10000-115-1

17.11.2021

010104010002069999

Suggested products

CDW582MM*8192/65536 EPN ME 10M	CDW582M-00015
CDW582MM*8192/65536 EIP ME 10M	CDW582M-10027
CEW582M*8192/4096 ETC ME 10M	CEW582M-00084
CEW582M*8192/4096 EPN SLG ME 10M	CEW582M-00090
CEW582M*8192/4096 PB SLG *ME 10M	CEW582M-00101
CMW582M*8192/4096 EPN SLG*ME 10M	CMW582M-00011
CMW582M*8192/4096 SSI SLG ME 10M	CMW582M-00150
IEW58:2*5000 INC_TTL SLG*ME10M	IEW582-00039

Subject to change.