

Capacitive Level Detector For Plastic & Rubber Thermoplastic Polyester Housing Types CA, M30, M32, DC, Self-Teach

TRIPLESHIELD™

CARLO GAVAZZI



- Designed for plastic and rubber applications
- For dry bulk material detection
- Featuring **TRIPLESHIELD™** Sensor Protection
- Self-Teach of sensing distance or remotely by means of wire
- Withstands up to 120°C on the sensing surface
- Automatic detection of NPN or PNP load
- Selectable make or break switching by means of remote function
- Protection: Short-circuit, transients and reverse polarity
- Humidity compensation
- 5 years of warranty

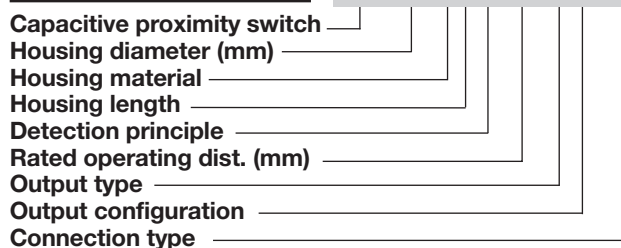
Product Description

Capacitive level detector with specialized and optimized features for level detection in plastic and rubber applications. The sensor will adapt automatically to the application when power-on for the first time. The adjustment is easy to change by means of the

remote teach-in function. The sensor front can withstand temperatures up to 120°C. 3-wire DC output with selectable make (NO) or break (NC) switching. Grey polyester housing with 2 m PVC cable or M12 plug (Only M30).

Ordering Key

CA30CLN25BPM1



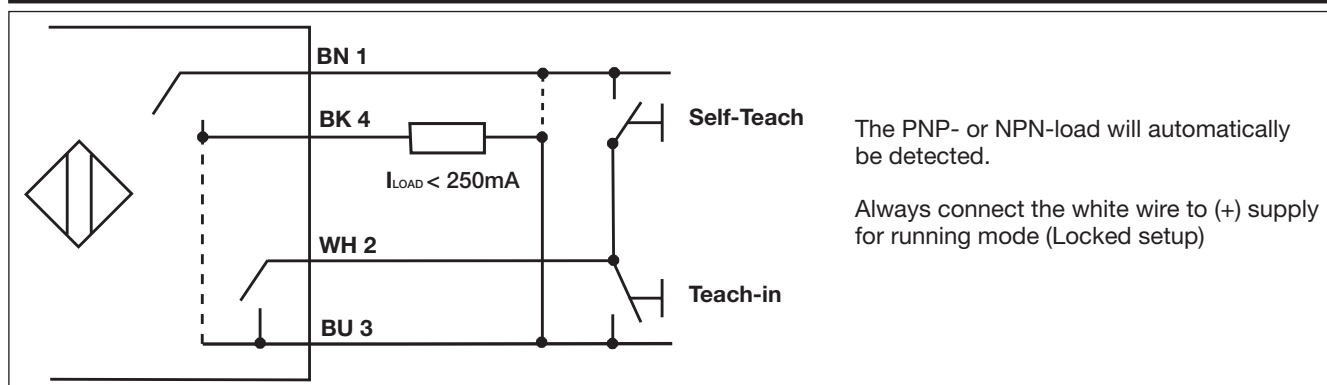
Type Selection

Housing diameter	Ordering no. Cable	Ordering no. Plug
M30	CA30CLN25BP	CA30CLN25BPM1
M32	CA32CLN25BP	

Specifications

Sensitivity	Adjustable (Self-Teach)	Environment	Degree of protection	IP 68
Repeat accuracy (R)	≤ 5%		Operating temperature	-20° to +85°C (-4° to +185°F)
Hysteresis (H)	5 - 10%		Max. temperature on sensing face	120°C (248°F)
Rated operational volt. (U_B)	10 to 40 VDC (ripple incl.)		Storage temperature	-40° to +85°C (-40° to +185°F)
Ripple	≤ 10%	Housing material	Body	Grey, thermoplastic polyester
Rated operational current (I_o)	≤ 250 mA (continuous)		Cable end	Polyester, softened
No-load supply current (I_o)	≤ 12 mA		Nuts	Black, PA12 Grilamid
Voltage drop (U_d)	≤ 2.5 VDC @ max. load	Connection	Cable	M30
Protection	Short-circuit, reverse polarity, transients			M32
TRIPLESHIELD™ protection-EMC			Plug (M1)	Grey, 2 m, 4 x 0.34 mm ²
IEC 1000-4-2/EN 61000-4-2	30 kV		Cable for plug (M1)	Grey, 2 m, 4 x 0.75 mm ²
IEC 1000-4-3/EN 61000-4-3	> 15 V/m			Oil proof, PVC
IEC 1000-4-4/EN 61000-4-4	4 kV			M12 x 1
IEC 1000-4-6/EN 61000-4-6	> 10 V _{rms}			CON.1A-series
Frequency of operating cycles (f)	5 Hz	Weight	Cable version - M30 / M32	150 g/230 g
Indication			Plug version - M 30	70 g
For output ON	LED, yellow	Approvals		UL, CSA
For calibration	LED, red	CE-marking		Yes

Wiring Diagram



The PNP- or NPN-load will automatically be detected.

Always connect the white wire to (+) supply for running mode (Locked setup)

Installation

First time calibration

Install and wire the sensor according to the above wiring diagram. Remember to connect the white wire, the 4th wire, to (+) supply

The very first time the sensor is powered up, the sensor will

automatically adapt to the surroundings and calculate an optimal sensitivity by itself – no matter what kind of plastic material to be detected.

As long as the white wire is connected to (+) supply, the sensor will be locked and be in running mode.

New	Action	Description of sensor setup
First time calibration	New sensor	Factory settings
	Install the sensor in the application	-
	Connect the sensor electrical. White wire to (+) supply	-
	Power ON	Self-Teach: Red LED blinking The sensor is now in running mode

Locked sensor set-up

No other adjustment is needed. As long as the white wire is connected to (+) supply, the set-up of the sensor is locked, and will not change during another power down/up.

Locked	Action	Description of sensor setup
	Sensor running	Last setup
	Power OFF	-
	Power ON (Startup delay 600ms)	No Self-Teach. The sensor is now in running mode

Re-calibration of the sensor

If needed, a new Self-Teach can be activated by disconnecting the white wire from (+) supply, and then connect it again to (+) supply.

You have now activated a new Self-Teach and the sensor will now re-calibrate and calculate a new sensitivity according to the application. Be sure that the application is empty – no object to detect.

Self-Teach	Action	Description of sensor setup
Force new Self-Teach	Disconnect white wire	-
	Connect white wire to (+) supply	Self-Teach: Red LED blinking The sensor is now in running mode
	Power OFF	-
	Power ON (Startup delay 600 ms)	The sensor is still in running mode

Every time the white wire is being disconnected from (+) supply, the Self-Teach function will be initiated and take place when connecting it again to (+) supply

Self-Teach	Action	Description of sensor setup
Force new Self-Teach	Power OFF	-
	Disconnect white wire	-
	Power ON (Startup delay 600 ms)	-
	Connect white wire to (+) supply	Self-Teach: Red LED blinking The sensor is now in running mode

Remote teach-in

It is possible to teach-in either background or object, like the CAxxCLL sensors with normal teach-in function.

Teach-in Background

Teach-in	Action	Description of sensor setup
Remote Teach-in background	Disconnect white wire	-
	Be sure that the application is empty Connect the white wire to (-) supply > 3 sec. Remove the wire during the next 3 seconds.	The red LED will flash once per second Remote teach-in of background
	Connect white wire to (+) supply	Self-Teach: Red LED blinking The sensor is now in running mode

Teach-in Object

Teach-in	Action	Description of sensor setup
Remote Teach-in object	Disconnect white wire	-
	Be sure that the application is with object. Connect the white wire to (-) supply > 6 sec. Remove the wire during the next 3 seconds.	The red LED will flash twice per second Remote teach-in of object
	Connect white wire to (+) supply	The sensor is now in running mode

Teach-in Background and Object

Teach-in	Action	Description of sensor setup
Remote Teach-in of background and object	Disconnect white wire	-
	Background: Be sure that the application is empty. Connect the white wire to (-) supply > 3 sec. Remove the wire during the next 3 seconds.	The red LED will flash once per second Remote teach-in of background
	Object: Be sure that the application is with object. Connect the white wire to (-) supply > 6 sec. Remove the wire during the next 3 seconds.	The red LED will flash twice per second Remote Teach-in of object
	Connect white wire to (+) supply	The sensor is now in running mode

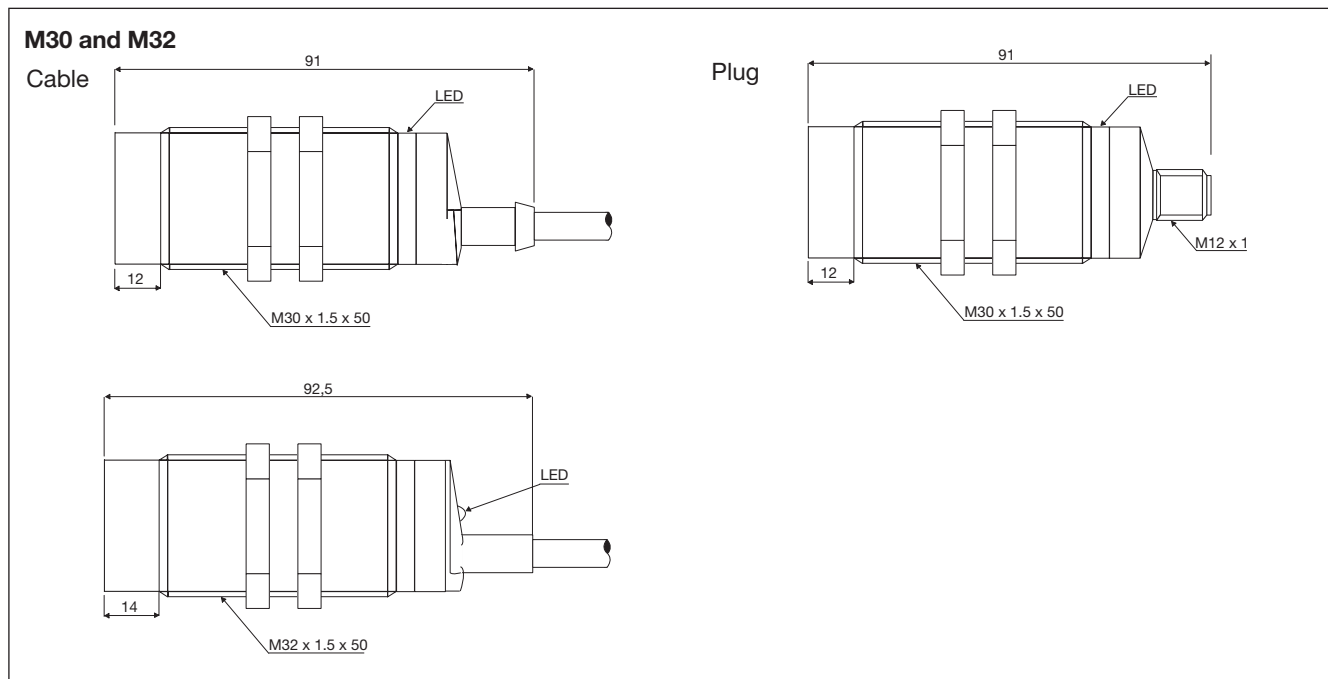
Toggle between normally open and normally closed

It is possible to toggle between normally open and normally closed by means of the teach-in function.

Teach-in	Action	Description of sensor setup
Normally open <> Normally closed	Disconnect white wire	-
	Connect the white wire to (-) supply > 9 sec. Remove the wire during the next 3 seconds.	The red LED will flash three times per second Toggle between NO and NC
	Connect white wire to (+) supply	The sensor is now in running mode



Dimensions



Installation Hints

<p><i>To avoid interference from inductive voltage/current peaks, separate the prox. switch power cables from any other power cables, e.g. motor, contactor or solenoid cables</i></p>	<p><i>Relief of cable strain</i></p> <p>Not correct</p> <p>Correct</p> <p>The cable should not be pulled</p>	<p><i>Protection of the sensing face</i></p> <p>A proximity switch should not serve as mechanical stop</p>	<p><i>Switch mounted on mobile carrier</i></p> <p>Any repetitive flexing of the cable should be avoided</p>
--	--	--	---

Delivery Contents

- Capacitive switch: CA..CLN25BP..
- Manual
- **Packaging:** Cardboard box

Accessories

- Plugs CON.1A.. series.