



Manufactured according to OIML R60 standards

Capacity from 5000 kg to 10000 kg



- SPECIAL STEEL
- COMBINED ERROR $\leq \pm 0.1\%$
- PROTECTION CLASS IP68

| CAPACITY | kg | IECEx | Ex | EAC | EAC Ex | NET WEIGHT (kg) | CODE |
|----------|----|---|----|-----|--------|-----------------|----------|
| 5000 | | • | • | • | | 15.5 | FTH5000 |
| 10000 | | • | • | • | | 16.2 | FTH10000 |
| | | <div style="border: 1px solid black; width: 100px; height: 15px; margin: 0 auto;"></div> ON REQUEST | | | | | |

CERTIFICATIONS

EAC Complies with the Eurasian Custom Union standards

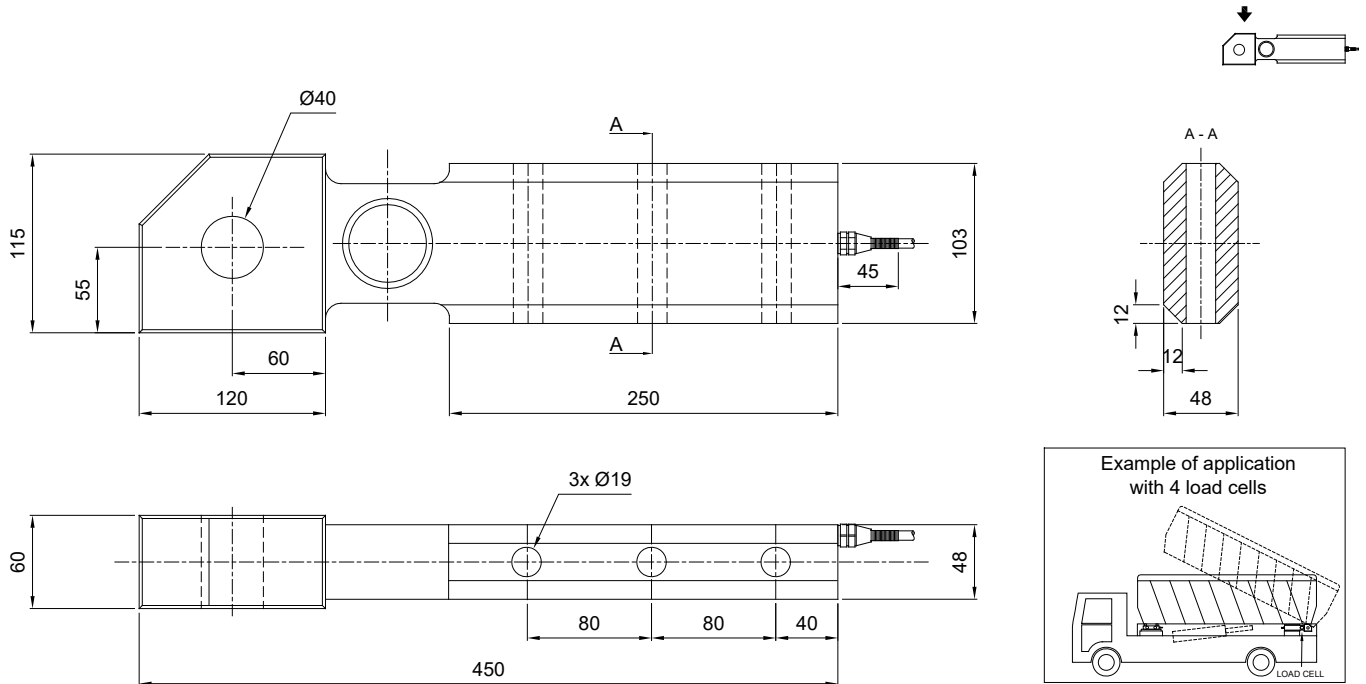
CERTIFICATIONS ON REQUEST

Ex ATEX II 1GD (zone 0-1-2-20-21-22)

IECEx IECEx (zone 0-1-2-20-21-22)

EAC Ex Complies with the Eurasian Custom Union standards for use in potentially explosive atmospheres

DIMENSIONS (mm)

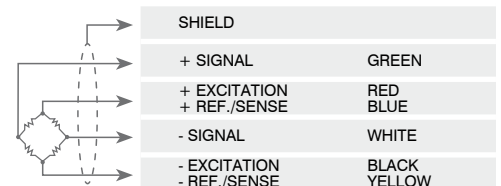


TECHNICAL FEATURES

| | | | |
|-------------------------------------|-----------------|-------------------------------------|-----------|
| Material | Special steel | | |
| Nominal load (E max) | 5000 - 10000 kg | | |
| Combined error | ≤ ±0.1% | | |
| Protection class | IP68 | | |
| Rated output | 1 mV/V ±0.5% | Input resistance | 400 Ω ±20 |
| Temperature effect on zero | 0.005% °C | Output resistance | 352 Ω ±3 |
| Temperature effect on span | 0.005% °C | Zero balance | ±2% |
| Compensated temperature range | -10 °C / +40 °C | Insulation resistance | >5000 MΩ |
| Operating temperature range | -30 °C / +70 °C | Safe overload (% of full scale) | 150% |
| Creep at nominal load in 30 minutes | 0.1% | Ultimate overload (% of full scale) | 300% |
| Max supply voltage without damage | 15 V | Deflection at nominal load | 0.4 mm |

ELECTRICAL CONNECTIONS

| | |
|----------------|--------------------------|
| Cable length | 10 m |
| Cable diameter | 6 mm |
| Cores | 6 x 0.24 mm ² |



The Company reserves the right to make changes to the technical data, drawings and images without notice.