

Single Loop Controller

Model C45V/C46V

Overview

The C45V/C46V is a highly advanced, high-precision compact single loop controller, featuring a 5-digit indicator, an input sampling cycle of 100 ms, indication accuracy of $\pm 0.1\%$ * of reading, and either 2 full multi-range analog inputs or 1 full multi-range input plus 2 DC current/voltage inputs. A dual-input computation function can be used for each input and output processing unit, allowing sensor input changeover, control based on the average of 2 PV values, control output changeover, feed-forward control, override control, etc. In addition, the input processing unit has a temperature-pressure correction function (2-input model: temperature correction or pressure correction). Like the C45A/C46A, the C45V/C46V has a high visibility LED display and rich variety of inputs, outputs, and operation keys supporting its many features (input-output linearization, single loop/cascade/backup control modes, etc.). Easy setup and monitoring from a PC are available using the Smart Loader Package.

* A representative figure. Indication accuracy differs depending on the input range type and temperature band.

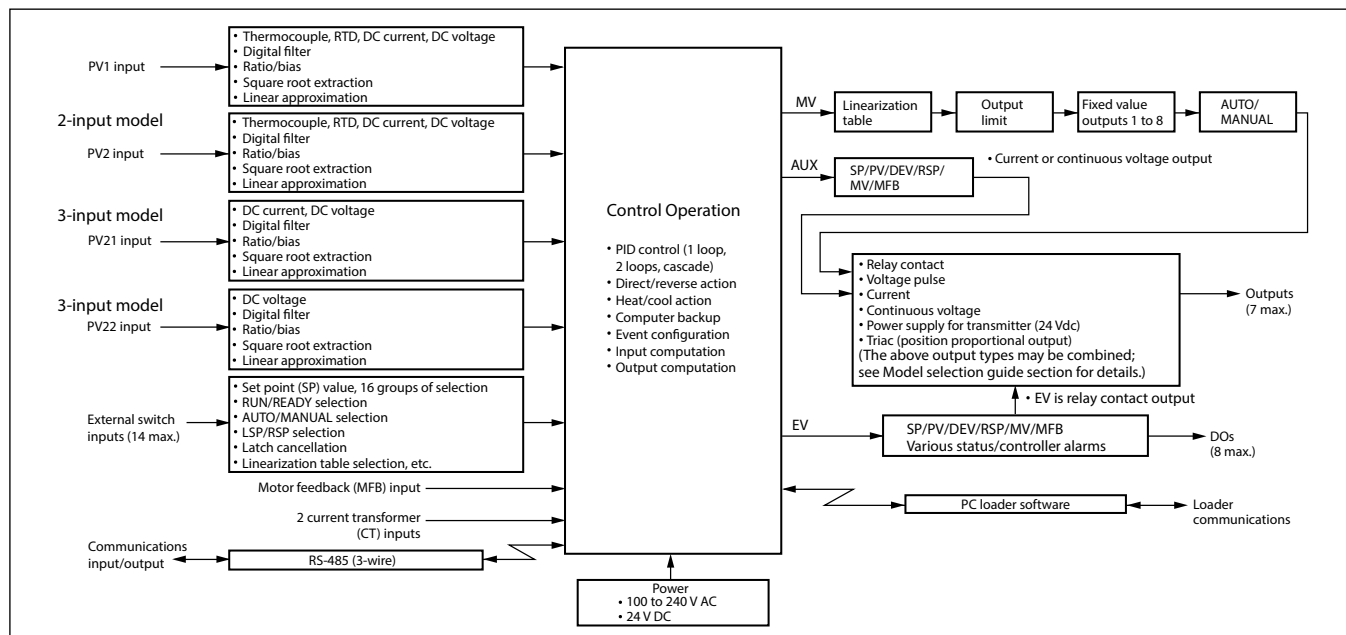
Features

- Dual-input computation capability and temperature-pressure correction are built in.
- The number of analog inputs, either two (full multi) or three (1 full multi and 2 DC current/voltage), can be selected (by model number).



- Control, ranging from cascade to backup control, is available for 1 or 2 loops.
- Sampling cycle of 100ms and accuracy of $\pm 0.1\%$ rdg.
- Ample room for indication of vital information on dual 7-segment, 5-digit LED displays and an auxiliary 11-segment, 3-digit LED display
- Heat/cool control, using two control outputs
- Using the optional transmitter power supply function, a pressure transmitter can be directly connected.
- IP65 protection for the front panel
- Up to 16 recipe settings involving SP, event settings, etc., and 8 groups of fixed-value control output settings support automatic operation of equipment.
- Support for nonlinear processes using input/output broken line linear approximation tables
- Customizable parameter keys and LED
- A variety of inputs and outputs
2 inputs, 7 outputs, 14 DIs, 8 DOs, 2 CT inputs, RS-485 communications

Basic function block of model C45V/C46V



Specifications

Analog input	Input type	2-input model	Full multi-range input: thermocouple, RTD, DC current and DC voltage
		3-input model	Input 1: thermocouple, RTD, DC current and DC voltage full multi-range inputs
			Input 21: DC current and DC voltage
			Input 22: DC current
	Input sampling time	100 ms	
	Input bias current (under standard conditions)	Thermocouple input: DC voltage (mV-range) input: 0.2 μ A (flowed out from the positive (+) terminal.) When the thermocouple/mV input burnout setup is set at "upscale at burnout": 0.05 μ A (flowed out from the positive (+) terminal or flowed into the positive (+) terminal) When the thermocouple/mV input burnout setup is set at "unknown at burnout." DC voltage (V-range) input: 1 μ A max. (flowed out from the positive (+) terminal or flowed into the positive (+) terminal) Each of 0 to 1 V and -1 to +1 V ranges 5 μ A max. (flowed into the positive (+) terminal.) Each of 1 to 5 V and 0 to 5 V ranges 10 μ A max. (flowed into the positive (+) terminal.) 0 to 10 V range	
	Input impedance	Thermocouple input: 1 M Ω min. DC voltage input: 1 M Ω min. DC current input: 110 Ω max.	
	Measuring current	RTD input: 1 mA \pm 0.02 mA Flowed out from the terminals A and C to the terminal B.	
	Influence of wiring resistance (under standard conditions)	RTD input: 0.02 $^{\circ}$ C/ Ω max., wiring resistance is 85 Ω max.	
	Allowable wiring resistance	RTD input: 85 Ω max. including the Zener barrier resistance per RTD.	
	Allowable input voltage	Thermocouple input: -1.0 to +3.5 V DC voltage (mV-range) input: -1.0 to +2.5 V DC voltage (V-range) input: -10 to +25V DC current input: -1 to +4V	
	Burnout indication	Varies with input range	
	Cold junction compensation accuracy	\pm 0.5 $^{\circ}$ C (under standard conditions) \pm 1.0 $^{\circ}$ C Ambient temperature, 0 to 50 $^{\circ}$ C (under other standard conditions)	
Cold junction compensation method	Internal/external (0 $^{\circ}$ C only) compensation selectable		
Scaling	-19999 to +32000U (Linear DC voltage/current input only. Reverse scaling and decimal point repositioning available. Effective resolution depends on the range.)		
Indicators and configuration	PV, SP indication	5-digit, 7-segment LED. PV: green or orange (depending on the model) upper display. SP: lower orange display.	
	Auxiliary indication	3-digit, 11-segment orange LED	
	Multi-status indicator	12-segment LED, green or orange (depending on the model). Displays status of control output, alarm, RUN/READY, etc.	
	No. of status displays	C45V: 17, C46V: 19 LED displays	
	Operation keys	C45V: 11, C46V: 13 rubber keys	
	Number of local set points	16 groups	
	Memory storage system	EEPROM	
	Indicating range	-19999 to +32000U (or to the SP limit, if it is set)	
	SP limits	Lower limit: -19999 to upper limit value. Upper limit: lower limit value to 32000U.	
	SP ramp	0.0 to 3200.0 s, min, or h (both up- and down-ramp), Disabled if 0.0 is selected.	
	Input readout accuracy	\pm 0.1 % FS \pm 1 digit (depending on the range; see Table 1)	
	Indicating range	See Table 1	

Digital input (DI)	Number of inputs	C45V: 10 max. C46V: 14 max. (For models with CT input, C45V: 8 max. C46V: 12 max.)		
	Types of connectable outputs	Dry contact or transistor (sink type)		
	Open terminal voltage	7 V DC±15 % (under standard conditions)		
	Terminal current (during short-circuit)	3 to 7 mA		
	Allowable ON contact resistance	500 Ω max.		
	Allowable OFF contact resistance	100 kΩ min.		
	Allowable open-collector ON-state residual current	1.5 V or less (under standard conditions)		
	Allowable open-collector OFF-state leakage current	0.1 mA max.		
	Sampling cycle	100 ms		
	Min. detection holding time	2 times the input sampling cycle		
	Assignable functions	RUN/READY, AUTO/MANUAL, REMOTE/LOCAL, auto tuning start/stop, control action direct/reverse selection, SP group/recipe group selection, fixed value outputs 1 to 8 selection, linear approximation table selection, computer backup selection		
Control	PID control	Proportional band (P)	0.1 to 3200.0 %	
		Integral time (I)	0 to 32000, 0.0 to 3200.0, 0.00 to 320.00 seconds	
		Derivative time (D)	0 to 32000, 0.0 to 3200.0, 0.00 to 320.00 seconds	
		MV limit	Lower limit: -10.0 to upper limit % Upper limit: lower limit to +110.0 %	
		Manual reset	-10.0 to +110.0 %	
		Number of PID groups	16	
		PID group selection	By console or DI	
		MV change limit	0.00 to 320.00 %/s, no limit at 0.0 %	
		Auto tuning	Automatic PID value setting by limit cycle method. Additionally, one of the following 3 control characteristics can be selected: • Standard • Quick disturbance response • Less up/down fluctuation	
		Position proportional dead zone	0.5 to 25.0 %	
	Heat/cool dead zone	-100.0 to +100.0 %		
Direct/reverse action selection	Available			
Output	Relay contact, form 1a1b (outputs 1 & 2)	Contact rating: Contact voltage: Service life: Min. switching specifications:	250 V AC/30 V DC, 3 A (resistive load) 250 V AC or less / 125 V DC or less 100,000 cycles or more (rated load) 100 mA/5 V DC	
	Relay contact, form 1a (outputs 1 & 2)	Contact rating: Contact voltage: Service life: Min. switching specifications:	250 V AC/30 V DC, 1 A (resistive load) 250 V AC or less / 110 V DC or less 100,000 cycles or more (rated load) 10 mA/5 V DC	
	Relay contact, form 1a (outputs 3 to 5)	Contact rating: Contact voltage: Service life: Min. switching specifications:	250 V AC/30 V DC, 3 A (resistive load) 250 V AC or less / 125 V DC or less 100,000 cycles or more (rated load) 100 mA/5 V DC	
	Triac (outputs 3 & 4, position proportional output)	Compatible motors:	ECM3000F1___ (100 V AC, relay contact input)	
	Current (outputs 3 to 7)	Output current: Load resistance: Output accuracy: Output resolution: Voltage (open):	4 to 20 mA DC (2.4 to 21.6 mA DC) 0 to 20 mA DC (0.0 to 22.0 mA DC) 600 Ω or less ±0.1 % FS or less (rated load) 1/15000 or more (in the 0 to 20 mA DC FS range) 23 V DC or less	
	Voltage pulse	Output voltage: Load current:	12 V DC±15 %/-10 % 30 mA or less	
	Continuous voltage	Output voltage: Load resistance: Load limit current: Output accuracy: Output resolution:	0 to 5 V DC (0.0 to 5.5 V DC) 1 to 5 V DC (0.6 to 5.4 V DC) 0 to 10 V DC (0.0 to 11.0 V DC) 1 kΩ or more 21 mA (standard value under standard conditions) ±0.1 % FS or less (under standard conditions) 1/20000 or more (for 0 to 10 V)	
	Transmitter power supply function	Output voltage: Load current: Load limit current:	24 V DC±10 % 30 mA or less 45 mA (standard value under standard conditions)	

Digital output (DO)	Event types (assignable to relay output)	PV direct, PV reverse, deviation direct, deviation reverse, absolute value deviation direct, absolute value deviation reverse, MV direct, MV reverse, RSP direct, RSP reverse, SP direct, SP reverse, sum of all alarms, PV range alarm, controller alarm, manual status, READY status, local status, auto tuning execution		
	Settable ranges	PV (direct, reverse): -19999 to +32000U RSP (direct, reverse): -19999 to +32000U Deviation (direct, reverse): -19999 to +32000U Absolute value deviation (direct, reverse): 0 to +32000U MV (direct, reverse): -10.0 to +110.0 %		
	Operation differential (hysteresis) setting range	0 to 200U (except MV, MFB event, process alarm) 0.0 to 20.0 % for MV, MFB event, process alarm		
	ON delay time	0.1 to 3200.0 seconds		
	Output operation	ON/OFF action, latch action		
	Output rating	Output type:	Transistor (sink type)	
	Load resistance:	4.5 to 28 V DC		
	Load current:	70 mA/output max. 500 mA/all outputs max.		
Auxiliary output	Number of outputs	4 max. assignable		
	Output types	PV, SP, DEV, RSP, MV, MFB, etc. can be selected		
	Output method	Current or continuous voltage		
Communications	Communications system	Protocol	RS-485	
		Network	Multidrop. Slave station only. Connect up to 31 units.	
		Data flow	Half-duplex	
		Synchronization method	Start/stop synchronization	
	Interface	Transmission system	Balance (differential) type	
		Transmission type	Bit serial	
		Transmit/receive lines	3	
		Speed	4800, 9600, 19200, 38400 bps	
		Distance	500 m max.	
		Protocol	RS-485 (3-wire type)	
	Message characters	Character configuration	9 to 12 bits/character	
		Data length	7 or 8 bits	
		Stop bit length	1 or 2 bits	
		Parity bit	Even parity, odd parity, or non-parity	
PC loader	Communications line	3-wire type		
	Communications speed	38400 bps (fixed)		
	Recommended cable	Dedicated cable		
Current transformer (CT) input	Number of inputs	2		
	Detection function	When control output is ON: heater line break or overcurrent detection When control output is OFF: final control device short circuit detection		
	Input device	Current transformer (sold separately), 800 turns • QN212A, 5.8 mm dia. hole • QN206A, 12 mm dia. hole		
	Input range	AC 0.0 to 50.0 A		
	Measurement current range	0.0 to 55.0 Aac (accuracy may be out of specifications for less than 0.4 Aac.)		
	Indication accuracy	±3 %FS ±1 digit (50/60 Hz, when measuring the sine wave)		
	Indication resolution	AC 0.1 A		
Motor feed-back input (MFB)	Allowable potentiometer value	100 to 2500 Ω		
	Indication accuracy	±0.2 %FS (standard conditions)		
	Sampling cycle	100ms		
General specifications	Memory backup	EEPROM, battery and double layer capacitor for SRAM		
	Backup life	EEPROM 10 years SRAM 30 min by double layer capacitor (while changing battery, at an ambient temperature of 35 °C or less, after capacitor is charged for 1 h or more)		
	Power	100 to 240 V AC (100 to 240 V AC power model) 24 V DC (24 V DC power model)		
	Power consumption	30 VA max. (C45V: 100 to 240 V AC power model) 40 VA max. (C46V: 100 to 240 V AC power model) 12 W max. (C45V: 24 V DC power model) 15 W max. (C46V: 24 V DC power model)		
	Power ON inrush current	35 A max./10 ms max. (100 to 240 V AC power model) 20 A max./10 ms max. (24 V DC power model)		
	Power ON operation	Reset time: 6 s max. (time until normal operation starts under standard conditions)		
	Battery life	3 years at 10 to 35 °C ambient temperature, without connection to power		
	Insulation resistance	20 M or more between power supply terminal 1 or 2 and FG terminal 3 (500 V DC megger)		

General specifications	Dielectric strength	1500 V AC for 1min (100 to 240 V AC power model), 500 V AC for 1min (24 V DC power model) • Between power supply terminal 1 or 2 or FG terminal 3 and secondary terminal • Between power supply terminal 1 or 2 and FG terminal 3			
	Standard conditions	Ambient temperature	23±2 °C		
		Ambient humidity	60±5 % RH		
		Power voltage	105 V AC ± 1 % (100 to 240 V AC power model) 24 V DC ± 5 % (24 V DC power model)		
		Power frequency	50±1 Hz or 60±1 Hz (100 to 240 V power model)		
		Vibration resistance	0 m/s ²		
		Shock resistance	0 m/s ²		
		Mounting angle	Reference plane ±3°		
		Clear space	100 mm min. vertically and horizontally		
	Operating conditions	Ambient temperature	0 to 50 °C		
		Ambient humidity	10 to 90 % RH (without condensation)		
		Power voltage	85 to 264 V AC (100 to 240 V AC power model), 21.6 to 26.4 V DC (24 V DC power model)		
		Power frequency	50±2 Hz or 60±2 Hz (100 to 240 V AC power model)		
		Vibration resistance	0 to 2 m/s ² (10 to 60 Hz for 2 h each in X, Y, and Z directions)		
		Shock resistance	0 to 10 m/s ²		
		Mounting angle	Reference plane ±10°		
		Altitude	2000 m max.		
		Clear space	50 mm min. above and below		
	Transportation conditions	Ambient temperature	-20 to +70 °C		
		Ambient humidity	10 to 95 % RH (without condensation)		
Vibration resistance		0 to 5 m/s ² (10 to 60 Hz for 2 h each in X, Y, and Z directions)			
Shock resistance		0 to 500 m/s ² (3 times each in X, Y, and Z directions)			
Front panel protection	IP65 (under operating conditions)				
Console and case material	PPO, Modified PPE				
Console and case color	Black				
Standards compliance	EN61010-1, EN61326-1 (For use in industrial locations) During EMC testing, the reading or output may fluctuate by ±10 %FS. UL61010-1, CAN/CSA C22.2 No.61010-1 ^{*1}				
Overvoltage category	Category II (IEC60364-4-443, IEC60664-1)				
Mounting	Panel mounted (with dedicated mounting bracket)				
Mass	C45V: Approx. 400 g (including dedicated mounting bracket) C46V: Approx. 700 g (including dedicated mounting bracket)				
Accessories (included)	Part name	Model	Optional parts (sold separately)	Part name	Model
	Mounting brackets (2)	81405411-004		Mounting brackets (2)	81405411-003
	Gasket	81421863-001 (for C45V)		Current transformer	QN206A (5.8 mm dia. hole) QN212A (12 mm dia. hole)
		81421864-001 (for C46V)			
	User's manual	CP-UM-5445E		Hard cover	81441421-001 (for C45V) 81441422-001 (for C46V)
					Terminal cover

*1: Depends on the model.

*2: 1 for C45A, 2 for C46A

Table 1. Input types and ranges

Input type	Pv-01	Sensor type	Range		Accuracy
Thermocouple	1	K	-270.0 to +1372.0 °C	-454 to +2502 °F	±0.1 % rdg. ±1 digit ^{*1}
	2	E	-270.0 to +1000.0 °C	-454 to +1832 °F	±0.1 % rdg. ±1 digit ^{*2}
	3	J	-200.0 to +1200.0 °C	-328 to +2192 °F	±0.1 % rdg. ±1 digit ^{*3}
	4	T	-270.0 to +400.0 °C	-454 to +752 °F	±0.5 °C ^{*4}
	5	B	0.0 to 1800.0 °C	32 to 3272 °F	±2.0 °C ^{*5}
	6	R	-50.0 to +1768.0 °C	-58 to +3214 °F	±0.1 % rdg. ±1 digit ^{*6}
	7	S	-50.0 to +1768.0 °C	-58 to +3214 °F	±0.1 % rdg. ±1 digit ^{*6}
	8	W (WRe5-26)	0.0 to 2300.0 °C	32 to 4172 °F	±0.1 % rdg. ±1 digit ^{*7}
	9	PR40-20	0.0 to 1900.0 °C	32 to 3452 °F	±8.0 °C ^{*8}
	10	Ni-NiMo	0.0 to 1300.0 °C	32 to 2372 °F	±1.4 °C
	11	N	-200.0 to +1300.0 °C	-328 to +2372 °F	±1.4 °C ^{*9}
	12	PL II	0.0 to 1390.0 °C	32 to 2534 °F	±1.4 °C
	13	DIN U	-200.0 to +600.0 °C	-328 to +1112 °F	±0.7 °C ^{*10}
	14	DIN L	-200.0 to +900.0 °C	-328 to +1652 °F	±1.0 °C ^{*11}
	15	Gold-iron/Chromel	-273.0 to +27.0 °C	-459 to +80 °F	±1.5 °C
RTD	21	Pt100	-200.0 to +850.0 °C	-328.0 to +1562.0 °F	±0.3 °C
	22		-200.00 to +300.00 °C	-328.00 to +572.00 °F	±0.15 °C
	31	JPt100	-200.0 to +640.0 °C	-328.0 to +1184.0 °F	±0.3 °C
	32		-200.00 to +300.00 °C	-328.00 to +572.00 °F	±0.15 °C
Linear (DC voltage/current)	41	Current	4 to 20 mA		±0.1 % FS ±1 digit
	42		0 to 20 f		±0.1 % FS ±1 digit
	43	Voltage	0 to 10 mV		±0.1 % FS ±1 digit
	44		-10 to +10 mV		±0.1 % FS ±1 digit
	45		0 to 100 mV		±0.1 % FS ±1 digit
	46		-100 to +100 mV		±0.1 % FS ±1 digit
	47		0 to 1 V		±0.1 % FS ±1 digit
	48		-1 to +1 V		±0.1 % FS ±1 digit
	49		1 to 5 V		±0.1 % FS ±1 digit
	50		0 to 5 V		±0.1 % FS ±1 digit
51	0 to 10 V		±0.1 % FS ±1 digit		

*1 At 400 °C or higher.
±0.5 °C (-100 to less than +400 °C)
±1.0 °C (-200 to less than -100 °C)
±20.0 °C (Less than -200 °C)

*2 At 400 °C or higher.
±0.5 °C (-100 to less than +400 °C)
±1.0 °C (-200 to less than -100 °C)
±15.0 °C (Less than -200 °C)

*3 At 400 °C or higher.
±0.5 °C (-100 to less than +400 °C)
±1.0 °C (Less than -100 °C)

*4 At -100 °C or higher.
±1.0 °C (-200 to less than -100 °C)
±10.0 °C (Less than -200 °C)

*5 At 800 °C or higher.
±4.0 °C (260 to less than 800 °C)
±70 °C (Less than 260 °C)

*6 At 1000 °C or higher.
±2.0 °C (0 to less than 1000 °C)
±4.0 °C (Less than 0 °C)

*7: At 1400 °C or higher.
±1.5 °C (Less than 1400 °C)

*8 At 800 °C or higher.
±20.0 °C (300 to less than 800 °C)
±40.0 °C (Less than 300 °C)

*9 At 0 °C or higher.
±4.0 °C (Less than 0 °C)

*10 At 0 °C or higher.
±1.0 °C (Less than 0 °C)

*11 At 0 °C or higher.
±1.5 °C (Less than 0 °C)

■ **Standards for input sensors**

● **Thermocouple**

K, E, J, T, B, R, S, N: JIS C 1602-1995
WRe5-26: ASTM E988-96
PR40-20: ASTM E1751-00
Ni-NiMo: ASTM E1751-00
PL II: ASTM E1751-00
DIN U, DIN L: DIN 43710-1985
Gold-iron/Chromel: ASTM E1751-00

● **RTD**

Pt 100, JPt 100: JIS C 1604-1989

Note: For PV21 input, Pv-01 settings 41, 42, 49, 50 and 51 can be used.

For PV22 input, Pv-01 settings 49, 50 and 51 can be used.

■ Model C45V selection guide

I II III IV V VI VII VIII IX X Ex.: C45V2A1C000000

I	II	III	IV	V	VI	VII	VIII	IX	X	Descriptions	
Basic Model	Input	Power	Outputs 1, 2	Outputs 3, 4	Output 5	Outputs 6, 7	Option	Additional processing 1	Additional processing 2		
C45V										Computation function model	
	2									2-input model (full-multi: 2)	
	3									3-input model (full-multi: 1, DC current / voltage: 2)	
		A									100 to 240 V AC
		D									24 V DC ^{*3}
			1								1a1b relay: 1
			2								1a relay: 2
				C0							Current (OUT3)
				D0							Continuous voltage (OUT3)
				V0							Voltage pulse (OUT3)
				RR							1a relay + 1a relay
				CC							Current + current
				VV							Voltage pulse + voltage pulse
				CV							Current (OUT3) + voltage pulse (OUT4)
				SS							Motor drive (triac), MFB input: 1
					0						None
					R						1a relay
					C						Current
					D						Continuous voltage
					P						Power supply for signal transmitter
						0					None
							0				DI: 2 (terminals F1 and F2) ^{*1}
							1				DI: 10 ^{*2}
							2				DI: 2, DO: 8 ^{*1}
							3				DI: 2, DO: 8, RS-485 ^{*1}
							4				CT input: 2 ^{*3}
							5				CT input: 2, DI: 8 ^{*3}
							6				CT input: 2, DO: 8 ^{*3}
							7				CT input: 2, DO: 8, RS-485 ^{*3}
								0			None
							D			With inspection data	
							Y			With traceability certification	
								0		None	
								1		Orange color for all LEDs	
								A		UL-marked product	
								B		UL-marked product Orange color for all LEDs	

*1. When "SS" is selected for outputs 3 and 4, DI: 0.

*2. When "SS" is selected for outputs 3 and 4, DI: 8.

*3. When "SS" is selected for outputs 3 and 4, this option code is not selectable.

Note Additionally, tropicalization and anti-sulfidation treatments can be ordered. However, there are some specifications restrictions. For details, contact the azbil Group.

■ Model C46V selection guide

I II III IV V VI VII VIII IX X Ex.: C46V2A1C00000

I	II	III	IV	V	VI	VII	VIII	IX	X	Descriptions
Basic Model	Input	Power	Outputs 1, 2	Outputs 3, 4	Output 5	Outputs 6, 7	Option	Additional processing 1	Additional processing 2	
C46V										Computation function model
	2									2-input model (full-multi: 2)
	3									3-input model (full-multi: 1, DC current / voltage: 2)
		A								100 to 240 V AC
		D								24 V DC ^{*4}
			1							1a1b relay: 1
			2							1a relay: 2
				C0						Current (OUT3)
				D0						Continuous voltage (OUT3)
				V0						Voltage pulse (OUT3)
				RR						1a relay + 1a relay
				CC						Current + current
				VV						Voltage pulse + voltage pulse
				CV						Current (OUT3) + voltage pulse (OUT4)
				SS						Motor drive triac, MFB input: 1
				R1						Motor drive relay, MFB input: 1
					0					None ^{*4}
					R					1a relay ^{*4}
					C					Current ^{*4}
					D					Continuous voltage ^{*4}
					P					Power supply for signal transmitter ^{*4}
						0				None
						1				Current (OUT6)
						2				Power supply for signal transmitter (OUT7)
						3				Current + current ^{*1}
						4				Current (OUT6) + power supply for signal transmitter (OUT7)
							0			DI: 2 (terminals F1 and F2) ^{*2}
							1			DI: 14 ^{*3}
							2			DI: 14, DO: 8 ^{*3}
							3			DI: 14, DO: 8, RS-485 ^{*3}
							4			CT input: 2 ^{*4}
							5			CT input: 2, DI: 12 ^{*4}
							6			CT input: 2, DI: 12, DO: 8 ^{*4}
							7			CT input: 2, DI: 12, DO: 8, RS-485 ^{*4}
								0		None
								D		With inspection data
								Y		With traceability certification
									0	None
									1	Orange color for all LEDs
									A	UL-marked product
									B	UL-marked product Orange color for all LEDs

*1. When "CC" is selected for outputs 3 and 4, and "C" for output 5, this code 3 is not selectable.

*2. When "SS" or "R1" is selected for outputs 3 and 4, DI: 0.

*3. When "SS" or "R1" is selected for outputs 3 and 4, DI: 12.

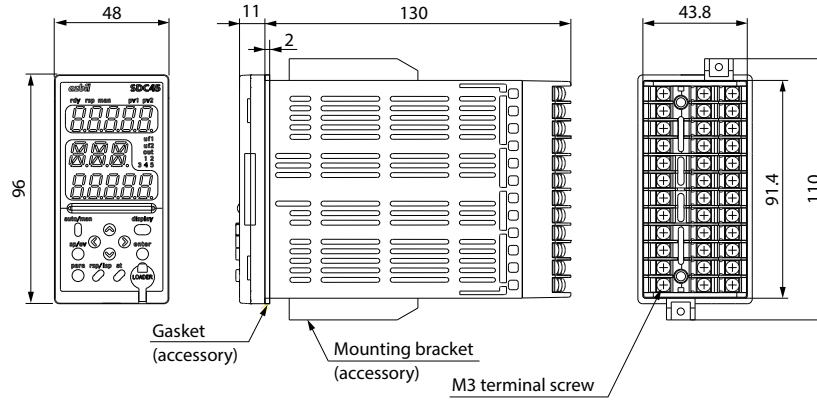
*4. When "SS" or "R1" is selected for outputs 3 and 4, this option code is not selectable.

Note Additionally, tropicalization and anti-sulfidation treatments can be ordered. However, there are some specifications restrictions. For details, contact the azbil Group.

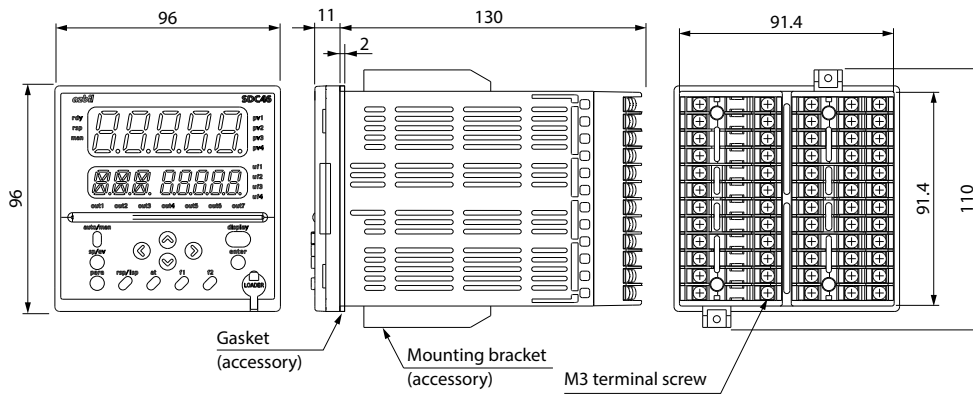
Dimensions

(Unit: mm)

● C45V



● C46V

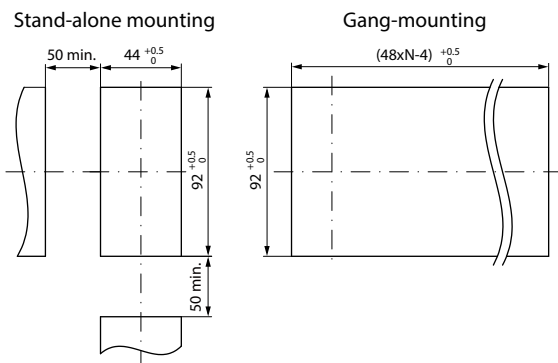


! Handling Precautions

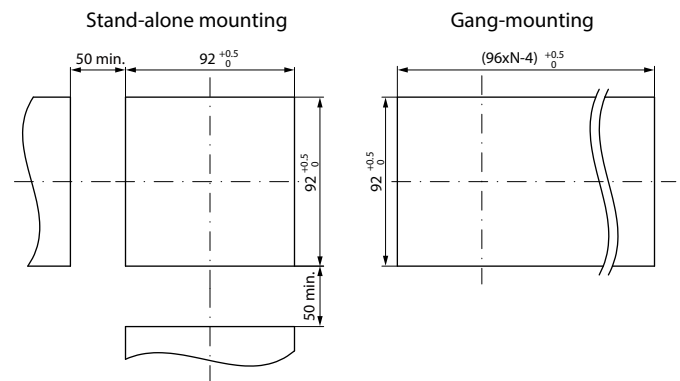
- When fastening this controller onto the panel, tighten the mounting bracket screws until there is no play between the bracket and panel, and then turn one more full turn. Overtightening the screws may deform the controller case.

● Panel cutout diagram

• C45V



• C46V

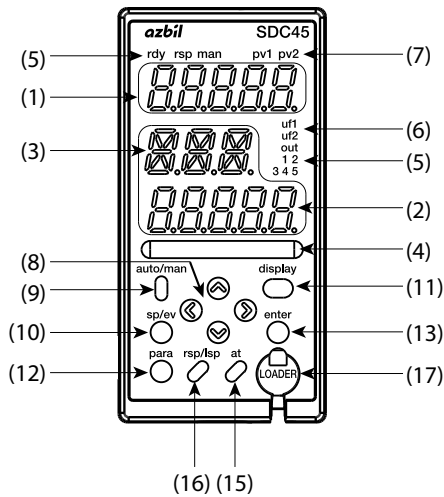


! Handling Precautions

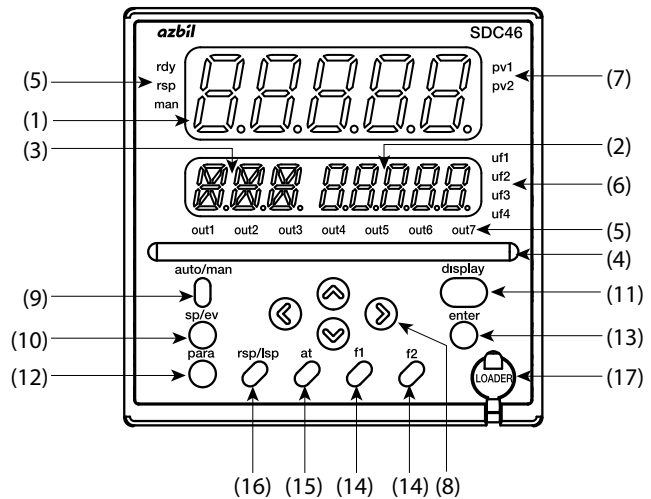
- If three or more units are gang-mounted horizontally, the maximum allowable ambient temperature is 40 °C.

Console parts and functions

● C45V Front Panel



● C46V Front Panel

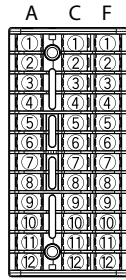


- (1) Upper display: For PV values (present temperature, etc.) or setup items.
- (2) Lower display: For SP values (set temperature, etc.) or other parameter values.
- (3) Auxiliary display:
Displays group No., loop* No., and channel No. of setup item.
* The series of connections from PV input to PID operation through to control output is generically called a loop.
- (4) Multi-status (MS) indicator:
For MV, DI/DO status, etc.
- (5) Mode indicator lights:
rdy: Ready
rsp: Remote setup input
man: Manual
out1-7: Control outputs 1-7 (1-5 for C45V)
- (6) User function indicators:
uf1-4: Display user-assigned items, (uf1, 2 for C45V)

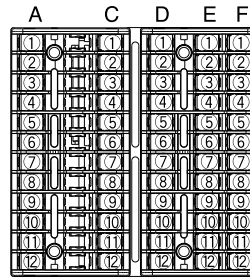
- (7) Loop number indicators:
pv1-4: Indicate the loop number of the displayed PV value (pv1, 2 for C45V)
- (8) v, ^, <, >: Increment numeric values and shift between digits or settable items.
- (9) auto/man: Changes AUTO/MANUAL mode.
- (10) sp/ev: Selects or sets LOCAL SP or EVENT.
- (11) display: Changes the display contents in operation display mode.
- (12) para: Changes the setting mode.
- (13) enter: Used during setup, especially to finalize the user's selection of a value.
- (14) f1-f2: Perform user-assigned functions (C46V only).
- (15) at: For auto-tuning executing/cancellation, or for user-assigned functions.
- (16) rsp/lsp: Changes between remote and local set point, or executes user-assigned functions.
- (17) Loader jack: For connection of PC loader cable.

Terminal Connections

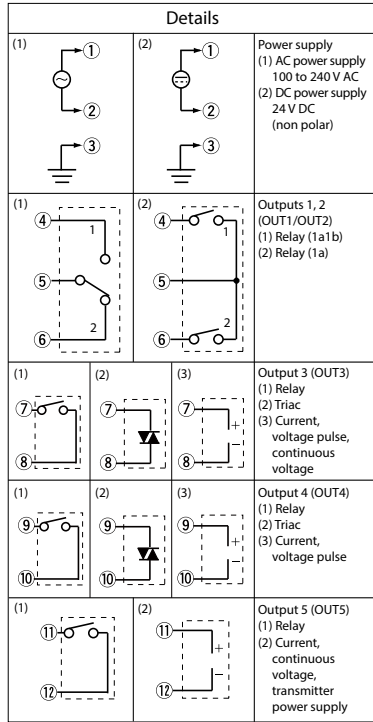
C45V Back



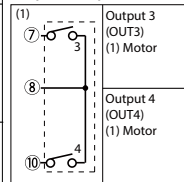
C46V Back



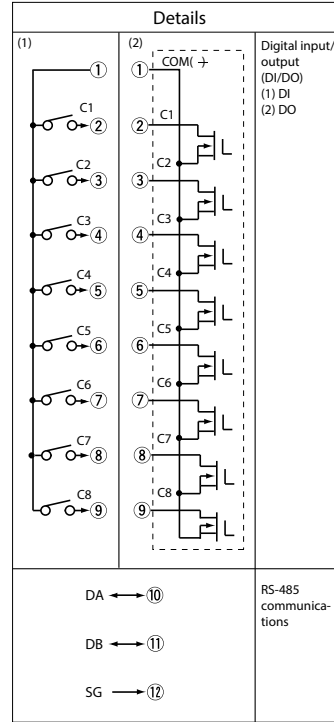
A (C45V/46V)



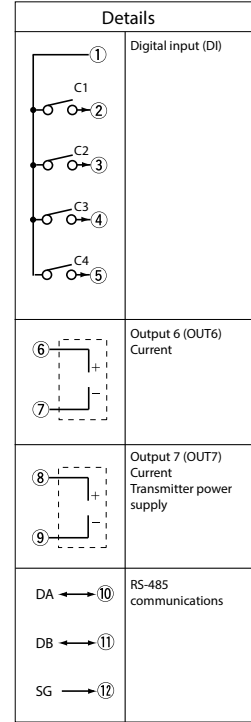
A (C46V)



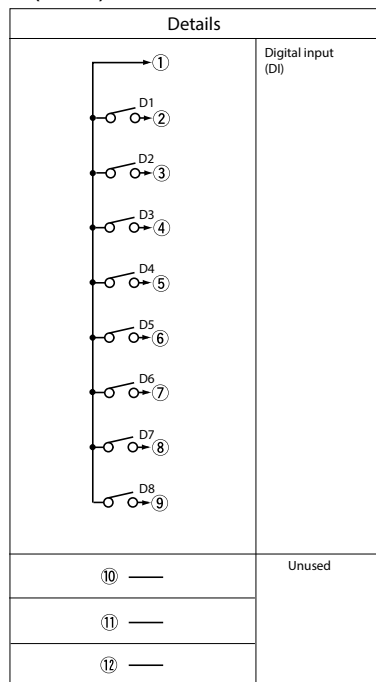
C (C45V)



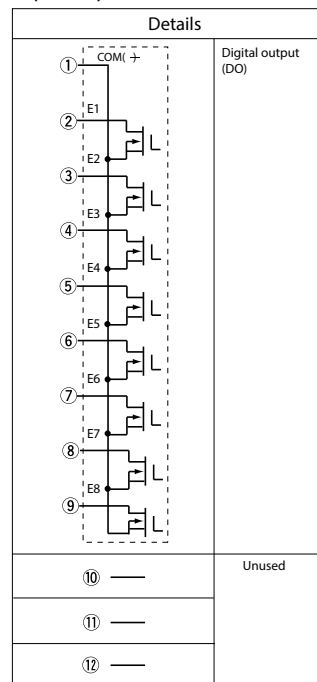
C (C46V)



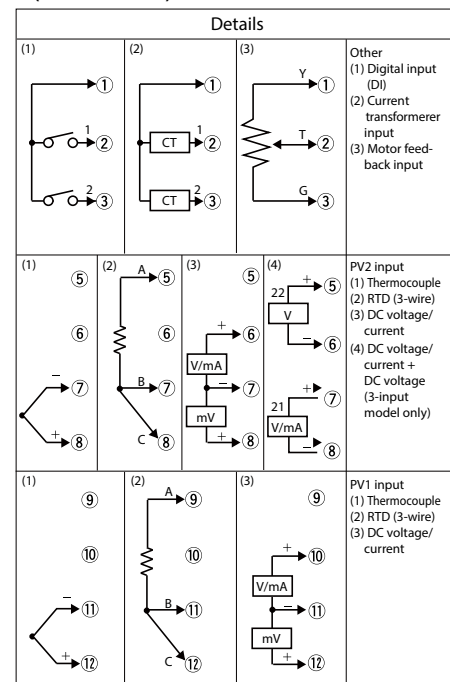
D (C46V)



E (C46V)



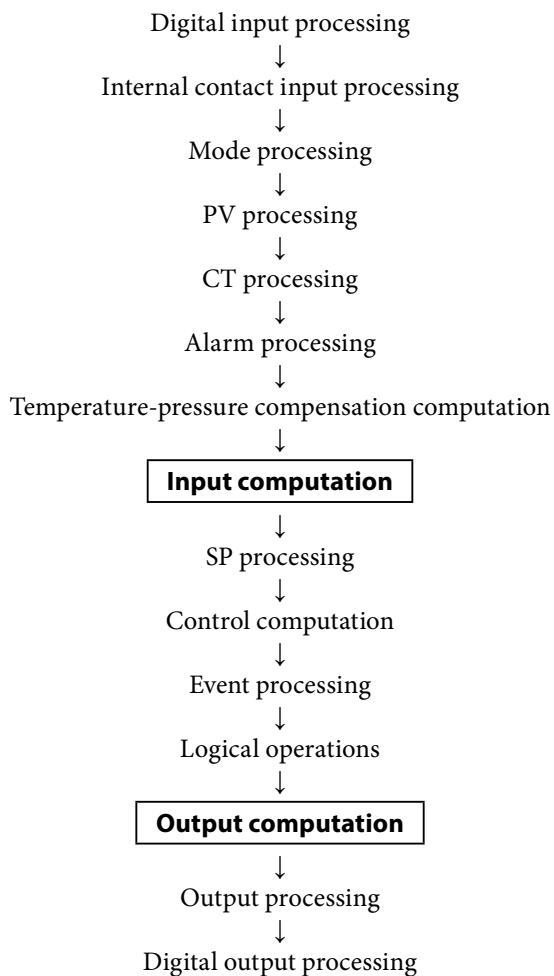
F (C45V/C46V)



■ Timing of computation pattern execution

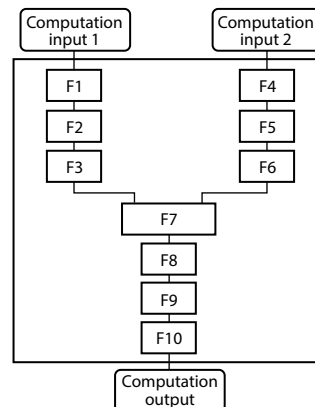
Two sets of computation patterns can be executed, one after PV input and one before MV output.

<Processing flow for each sampling cycle>



■ Computation patterns

Twenty one types of mathematical/logical operation can be assigned to up to 10 computation units (F1 to F10).



- PV and MV can be assigned to computation input 1 or computation input 2.
- Computation patterns are executed in numerical order from F1 to F10.
- Computation output is a standard numerical value.

■ Operation type

Type setting	Abbrev.	Description
0	NOP	No operation
1	FLT	First order lag filter
2	R/B	Ratio/bias
3	HLL	High/low limiter
4	DRL	Change rate limiter
5	LED	Differentiation
6	L/L	Advance/delay
7	ABS	Absolute value
8	TBL	Linearization table
9	MAX	Maximum value hold
10	MIN	Minimum value hold
11	HLD	Hold
12	PRS	Preset value
13	SPR	Soft (slow) preset value
14-30	NOP	No operation
31	ADD	Addition/subtraction
32	MUL	Multiplication
33	DIV	Division
34	HSE	High selector
35	LSE	Low selector
36	SWS	Switch selector
37	CPS	Change point selector
38	SSS	Soft (slow) switching selector

Please read "Terms and Conditions" from the following URL before ordering and use.

<https://www.azbil.com/products/factory/order.html>

Specifications are subject to change without notice.

azbil

Azbil Corporation

Advanced Automation Company

1-12-2 Kawana, Fujisawa

Kanagawa 251-8522 Japan

URL: <https://www.azbil.com/>

1st edition: Mar. 2008
6th edition: Oct. 2021

No part of this publication may be reproduced or duplicated without the prior written permission of Azbil Corporation.