

OXI/OXM/OXR

• INDICATOR, MONITOR AND CONTROLLER FOR COMBUSTION CONTROL



FEATURES

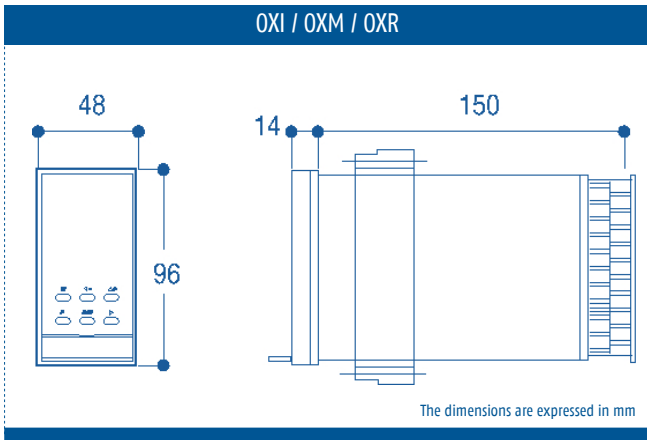
	OXI – INDICATOR	OXM – MONITOR	OXR – CONTROLLER
INPUTS	OXI – INDICATOR		
Main analogue input	Direct in mV from Z0 probe (0.2% ±1 digit) or 4... 20 mA linearized in the range 0.0... 20.9%		
Auxiliary analogue inputs	--	2 x 4... 20 mA from smoke/air temperatures	4... 20 mA from boiler load signal
Digital inputs and functions	2 logic inputs: Hold and Fail	3 logic inputs: Hold, Fail, fuel switch	4 logic inputs: Hold, Fail, fuel switch, Set Point mem., Auto/man.
OUTPUTS	OXM – MONITOR		
Main analogue output	4... 20 mA/0... 10 V for O ₂ %	4... 20 mA/0... 10 V programmable for O ₂ %, T smokes, T air, CO ₂ %, η, λ	4... 20 mA/0... 10 V control output
Auxiliary analogue output	--	--	4... 20 mA/0... 10 V for O ₂ %
Alarm output	2 Relay NO, 250 Vac/5A programmable		3 Relay NO, 250 Vac/5 A programmable 1 Relay NO, 250 Vac/5 A Failure
FUNCTIONAL	OXR – CONTROLLER		
Serial communication (optional)	RS485 (2 wires) Mod Bus, J Bus		
Baud rate	9600 baud max.		
GENERAL	OXI – INDICATOR		
Power supply	100... 240 Vac or 16... 28 Vac (50/60Hz) and 20...30 Vdc		
Power consumption	4 VA max.		
Dimensions / Weight	48 x 96 mm (1/16DIN) – depth 150 mm		
Mounting	Flush in panel in 45 x 92 mm hole		
Front protection degree	IP 65, mounted on panel with gasket		
Operating / storage temperature	0... 50°C (32... 122°F)/-20...+70°C (-4... 158°F)		
Operating humidity	35... 85 RH% without condensation		
Conformity	IEC801-2, 801-3, 801-4		

HOW TO ORDER

To compose the part number, pls. choose one of the option for each variable

OXI/OXM/OXR	CODE
POWER SUPPLY	
230 Vac	3
24 Vac/Vdc	5
SERIAL COMMUNICATION	
Not available	0
20 mA Current Loop Ascon Technologic protocol	1
20 mA Current Loop ModBus protocol	2
RS485 ModBus protocol	3
OUT 1	
4... 20mA retransmission	1
0... 10V retransmission	2
OUT 2 (OXM AND OXR ONLY)	
Not available	0
0... 20mA retransmission	1
0... 10V retransmission	2

DIMENSIONS



CONNECTIONS

