

ITA-178

Intel® Celeron J6412 Fanless Compact System with 8GB on board



Features

- Built-in Intel® Celeron® J6412 quad-core processor, 2.0 GHz
- 8 GB of DDR4 memory onboard with also 1 x SO-DIMM slot up to 32 GB
- Supports optional NVRAM
- 4 x LAN, 14 x COM, 6 x USB 2.0, and 2 x USB 3.0 ports
- Supports triple display (2VGA + LVDS)
- Support 6 x RS 232/422/485 ports, and 8 additional RS-232
- Supports up to 48 digital I/O optional

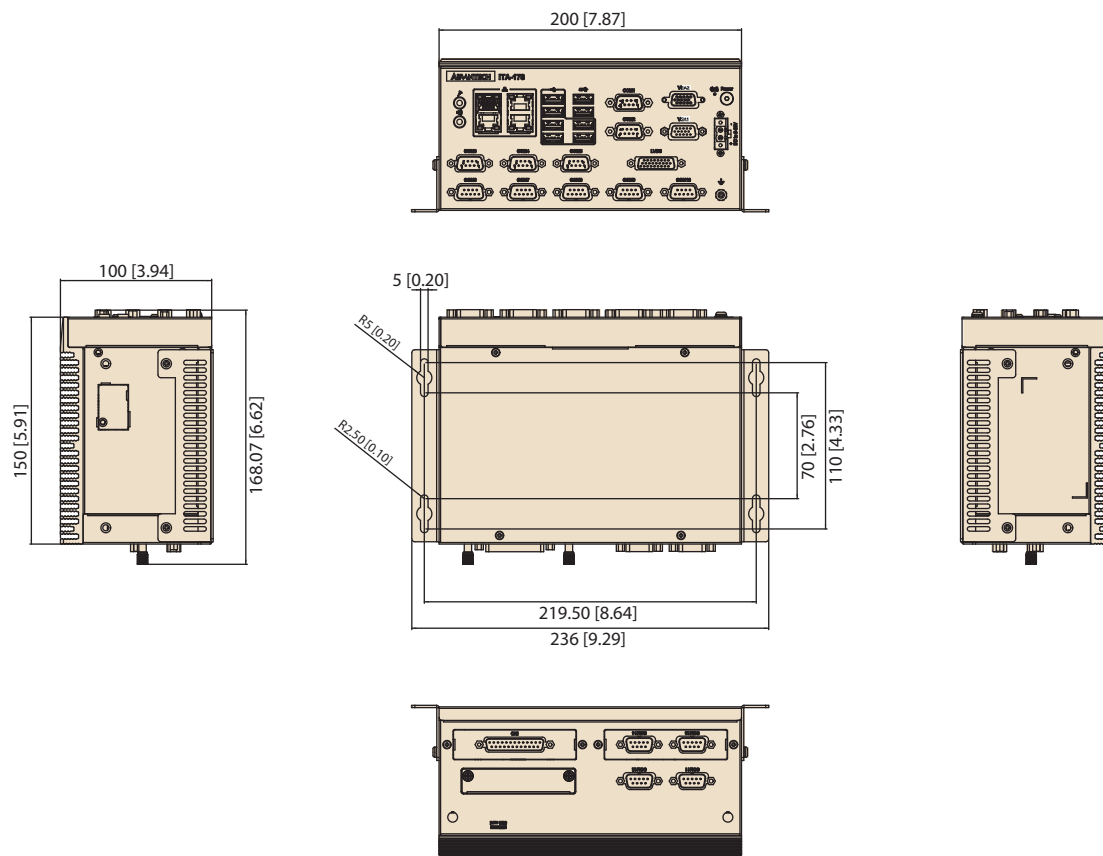


Specifications

Processor System	CPU	Intel® Celeron® J6412
	Processor Base Frequency	2.0 GHz
	TDP	10 W
	Cache	1.5 MB L2 Cache
	Total Cores	4
	BIOS	AMI® SPI 256 Mb
Memory	Technology	Dual-channel DDR4 3200
	Capacity	Onboard 8 GB
	Expandable	1 x SO-DIMM slot up to 32 GB
Graphics	Chipset	Intel® UHD Graphics for 10th Gen Intel® Processors
	Triple Display	2 x VGA + LVDS
Ethernet	Interface	100/1000/2500 Mbps
	Controller	4 x Intel® I226V
	Connector	4 x RJ-45
Storage	NVRAM	1 Mb NVRAM (optional)
	Internal	1 x mSATA socket Supports 1 x 2.5" SSD
	External	1 x Easy swap CFast module
I/O Interface	Display	VGA + VGA + LVDS
	LAN	4 x RJ-45
	USB	8 (6 x USB 2.0, 2 x USB 3.0)
	COM	14 DB9 ports, 6 x RS 232/422/485 ports, and 8 additional RS-232 serial ports only with Tx/Rx
	Digital I/O	1 x 24-bit GPIO (up to 48-bit GPIO optional)
	Audio	1 x Speaker-out, 1 x Mic-in (Amplifier is BOM option)
Expansion Slots	MiniPCIe	2 (one of them is co-lay with mSATA)
	mSATA	1 (co-lay with miniPCIe)
Power	Input Voltage	9 ~ 36V DC
Watchdog Timer	Output	System reset
	Interval	Programmable 1~255 sec/min
Environment	Operation Temperature	-25 ~ 60 °C
	Storage Temperature	-40 ~ 85 °C
Physical Characteristics	Dimensions (W x H x D)	200 x 100 x 150 mm

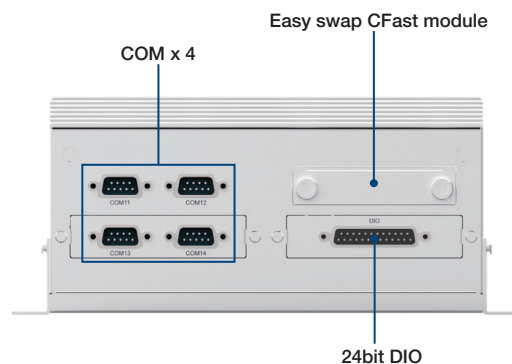
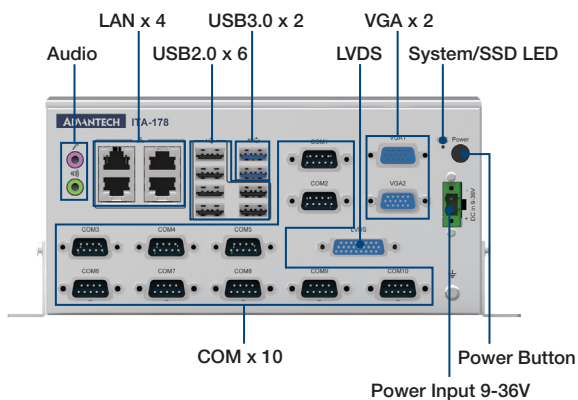
Dimensions

Unit: mm



Front View

Rear View



Ordering Information

Part Number	CPU	Onboard Memory	Display	LAN	USB 3.0	USB 2.0	COM	DIO	CFAST Tray	Amplifier	NVRAM	TPM 2.0
ITA-178-00A1	J6412	8 GB DDR4	2 VGA + LVDS	4	2	6	14	24 bit	Yes	NO	NO	NO