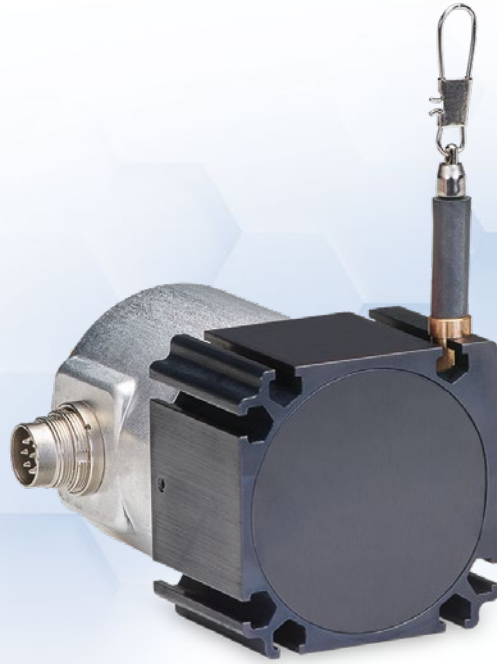


# Industrial draw-wire sensors wireSENSOR P60 analog

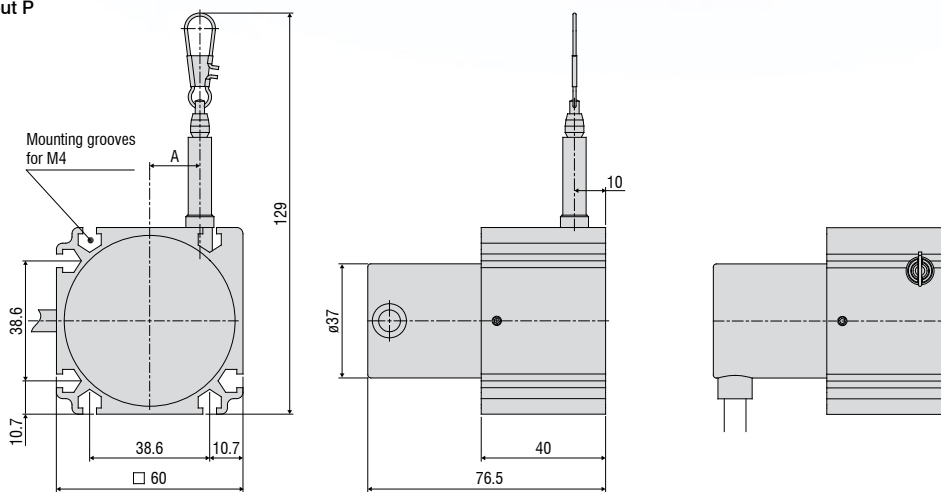
Robust aluminum profile housing

Customer-specific designs

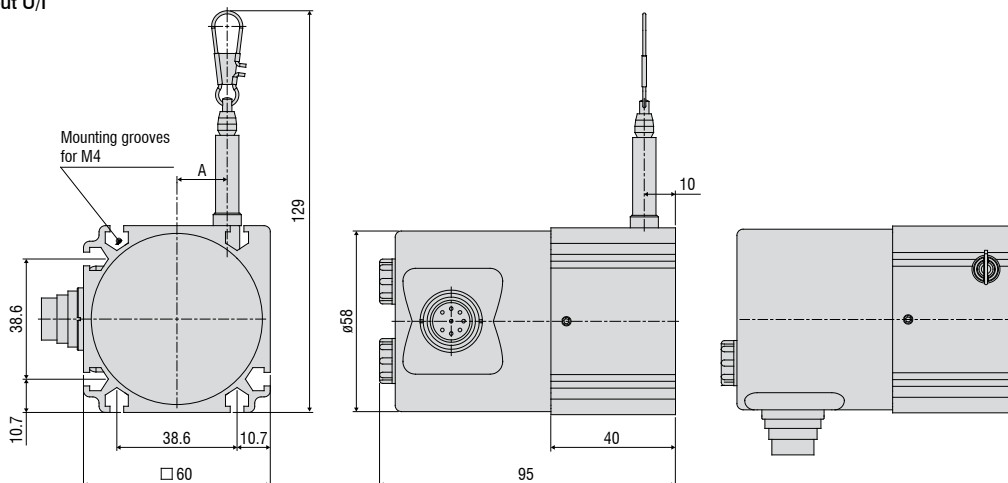
Potentiometer, current or voltage output



Output P



Output U/I



Measuring range (mm)	A (mm)
100 / 300 / 500 / 1000	approx. 16.15
150 / 750 / 1500	approx. 24.2

All dimensions in mm, not to scale

Model	WDS-100-P60	WDS-150-P60	WDS-300-P60	WDS-500-P60	WDS-750-P60	WDS-1000-P60	WDS-1500-P60	
Measuring range	100 mm	150 mm	300 mm	500 mm	750 mm	1000 mm	1500 mm	
Analog output <sup>1)</sup>	Potentiometer, current, voltage							
Resolution	towards infinity							
Linearity	Hybrid potentiometer P10 $\leq \pm 0.1\%$ FSO	-	-	-	$\leq \pm 0.5$ mm	$\leq \pm 0.75$ mm	$\leq \pm 1$ mm	$\leq \pm 1.5$ mm
	Hybrid potentiometer P25 $\leq \pm 0.25\%$ FSO	-	-	$\leq \pm 0.75$ mm	-	-	-	-
	Conductive plastic/wire potentiometer P25 $\leq \pm 0.5\%$ FSO	$\leq \pm 0.5$ mm	$\leq \pm 0.75$ mm	-	-	-	-	-
Sensor element	Conductive plastic/wire potentiometer		Hybrid potentiometer					
Wire extension force (max.)	approx. 7.5 N	approx. 5.5 N	approx. 7.5 N	approx. 7.5 N	approx. 5.5 N	approx. 7.5 N	approx. 5.5 N	
Wire retraction force (min.)	approx. 6.5 N	approx. 4.5 N	approx. 6 N	approx. 6 N	approx. 4 N	approx. 5 N	approx. 3.5 N	
Wire acceleration (max.)	approx. 10 ... 15 g (depending on measuring range)							
Material	Housing	Aluminum						
	Measuring wire	Polyamide-coated stainless steel ( $\varnothing$ 0.45 mm)						
Wire mounting	Wire clip							
Installation	Mounting grooves on the sensor housing							
Temperature range	Storage	-20 ... +80 °C						
	Operation	-20 ... +80 °C						
Connection	Potentiometer	integrated cable, radial, length 1 m						
	Current, voltage	pluggable cable via 8-pin flange connector (DIN45326), radial						
Shock (DIN EN 60068-2-27)	50 g / 10 ms in 3 axes, 1000 shocks each							
Vibration (DIN EN 60068-2-6)	20 g / 10 ... 2000 Hz in 3 axes, 10 cycles each							
Protection class (DIN EN 60529)	IP65 <sup>2)</sup>							
Weight	approx. 370 g							

FSO = Full Scale Output

<sup>1)</sup> Specifications for analog outputs from page 58 onwards.

<sup>2)</sup> With plug version only when connected.

## Article designation

WDS -	100 -	P60 -	CR -	P
				Output type: P: potentiometer (with connection CR) U: voltage (with connection SR) I: current (with connection SR)
				Connection: SR: radial plug CR: integrated cable, radial, 1 m
				P60 series
				Measuring range in mm