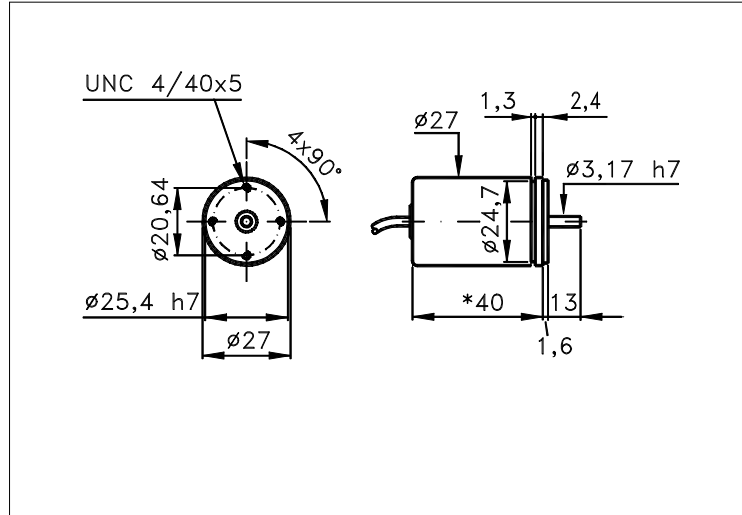


Sized draw standard version: CV Measures without tolerance according to UNI ISO 2768-mk



* 50 FOR ELECTR. THAT ARE NOT 'STANDARD', 'K'.

TECHNICAL FEATURES AND POSSIBLE CONFIGURATIONS

- | | |
|--|---|
| <ul style="list-style-type: none"> - Base.....: ANODIZED ALUMINIUM (*) - Cover.....: ANODIZED ALUMINIUM (*) - Weight.....: 90 g - Shaft.....: Ø 3,17 STAINLESS STEEL (*) - Max.rad/axial load.: 0,4 kg - IP output side.(°): see 'CONNECTION' of page 2 - IP shaft side.(°).> std. 64 sealed 65 low torq. 53 opt. type (page 2).> standard Z B - Contin. max RPM(**)> 6000 4500 12000 - Starting torque gcm> 12 25 8 <p>(°) IP according to CEI EN 60529, EN 60529, IEC 529
(*) custom options</p> | <ul style="list-style-type: none"> - Ball bearings life....: 1,5 x 10⁹ revolutions - Impact resistance....: 50 G x 11ms - Vibration resistance.: 12 G (10 ÷ 2000 Hz) - Power supply.....: 5V (see page 2) - Operating temperature: 0 ÷ 70 °C (*) - Storage temperature...: -30 ÷ 85 °C - N° of pulses/rev.....: 50÷800 - Max frequency.....: 60 kHz - Max consumptions mA...: std 120 line driver 180 (*) - Light source.....: LED with >= 100000 h life <p>(**) intermittent max RPM + 30% of continuous max RPM</p> |
|--|---|

ELECTRONICS

CODE	DESCRIPTION	mA	CODE	DESCRIPTION	mA	CODE	DESCRIPTION	mA	CODE	DESCRIPTION	mA
	STANDARD NPN	10	N	DRIVER 26LS31	30						
K	NPN OPEN COLL	10	T	TTL 7404	10						
Q	NPN	70	C	DRIVER 88C30	20						
R	NPN OPEN COLL	70									
P	PNP	70									
U	PNP OPEN COLL	70									
B	PUSH-PULL PRO	70									
H	PUSH-PULL	70									

Tolerance between phases ± 25°, symmetry ± 15°

(§) Clock-wise output rotation (see shaft).

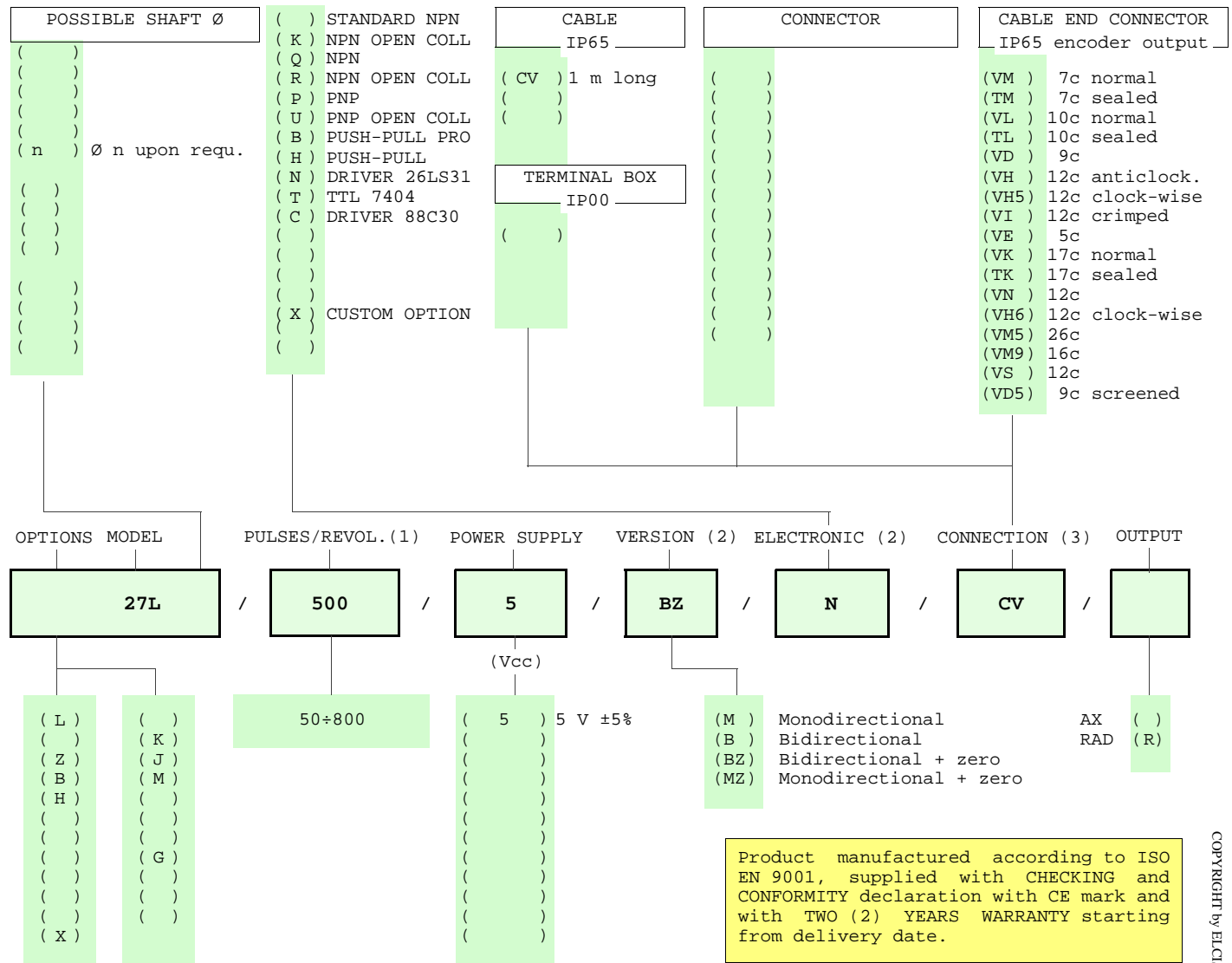


ELCIS s.r.l. Via Rosa Luxembourg 12/14 10093 COLLEGNO (TO) ITALY
Phone: +39 011 715577/78 a.r.
MAIL: ELCIS s.r.l. P.O.Box 90 10093 COLLEGNO (TO) ITALY

* <http://www.elcis.com>
* e-mail: info@elcis.com
* Fax: +39 011 712613

POSSIBLE OPTIONS				POSSIBLE CONNECTIONS								
CODE	DESCRIPTION	CODE	DESCRIPTION				OUTPUT:					
L	Low temperature			CABLE			AX					
Z	Sealed ball bearing	K	Invert. phase A,B,Zero.	CV			RAD					
B	Low torque ball bear.	J	Zero logic combination	CONNECTOR			OUTPUT:					
H	Different shaft Ø	M	Impregnated electronic									
		G	Tropicalization	CABLE END CONNECTOR			OUTPUT:					
				VM	TM	VL	TL	VD	VH	VH5	VI	AX
				VE	VK	TK	VN	VH6	VM5	VM9	VS	RAD
				VD5								
X	Custom options			TERMINAL BOX			OUTPUT:					

ORDERING INFORMATION



(1) For further information see PULSES/REVOL. data sheet
(2) For further information see ELECTRONIC data sheet
(3) For further information see CONNECTION data sheet

	<p>ELCIS s.r.l. Via Rosa Luxembourg 12/14 10093 COLLEGNO (TO) ITALY Phone: +39 011 715577/78 a.r. MAIL: ELCIS s.r.l. P.O.Box 90 10093 COLLEGNO (TO) ITALY</p>	<p>* http://www.elcis.com * e-mail: info@elcis.com * Fax: +39 011 712613</p>
--	---	---

COPYRIGHT by ELCIS - Collegno (TO)