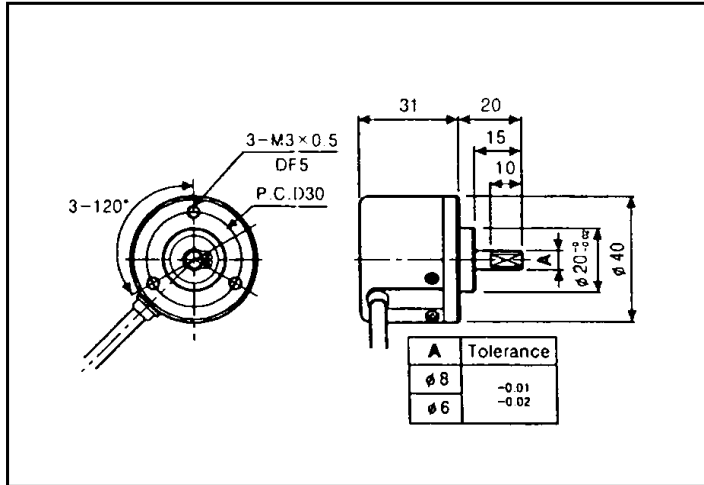


Sized draw standard version: CVK R Measures without tolerance according to UNI ISO 2768-mk



TECHNICAL FEATURES AND POSSIBLE CONFIGURATIONS

- Base.....: ALUMINIUM
 - Cover.....: STEEL
 - Weight.....: 120 g
 - Shaft.....: ∅ 6 STAINLESS STEEL
 - Max.rad/axial load.: 2 kg
 - IP output side.(°): see 'CONNECTION' of page 2
 - IP shaft side.(°).> std. 52 | sealed - | low torq. -
 - opt. type (page 2).> standard
 - Contin. max RPM(**)> 5000
 - Starting torque gcm> 8
 - Ball bearings life....: 1,5 x 10⁹ revolutions
 - Impact resistance....: 50 G x 11ms
 - Vibration resistance.: 12 G (10 ÷ 2000 Hz)
 - Power supply.....: 5÷24V (see page 2)
 - Operating temperature: -10÷70 °C
 - Storage temperature...: -30 ÷ 85 °C
 - N° of pulses/rev.....: 10 ÷ 2500
 - Max frequency.....: 180 kHz
 - Max consumptions mA...: std 60 line driver 50
 - Light source.....: LED with >= 100000 h life
- (°) IP according to CEI EN 60529, EN 60529, IEC 529
- (**) intermittent max RPM + 30% of continuous max RPM

ELECTRONICS

CODE	DESCRIPTION	mA	CODE	DESCRIPTION	mA	CODE	DESCRIPTION	mA	CODE	DESCRIPTION	mA
	STANDARD NPN	10	N	LINE DRIVER	20						
R	NPN OPEN COLL	30									
H	PUSH-PULL	30									

Tolerance between phases ± 45° , symmetry ± 20°

(§) Clock-wise output rotation (see shaft).

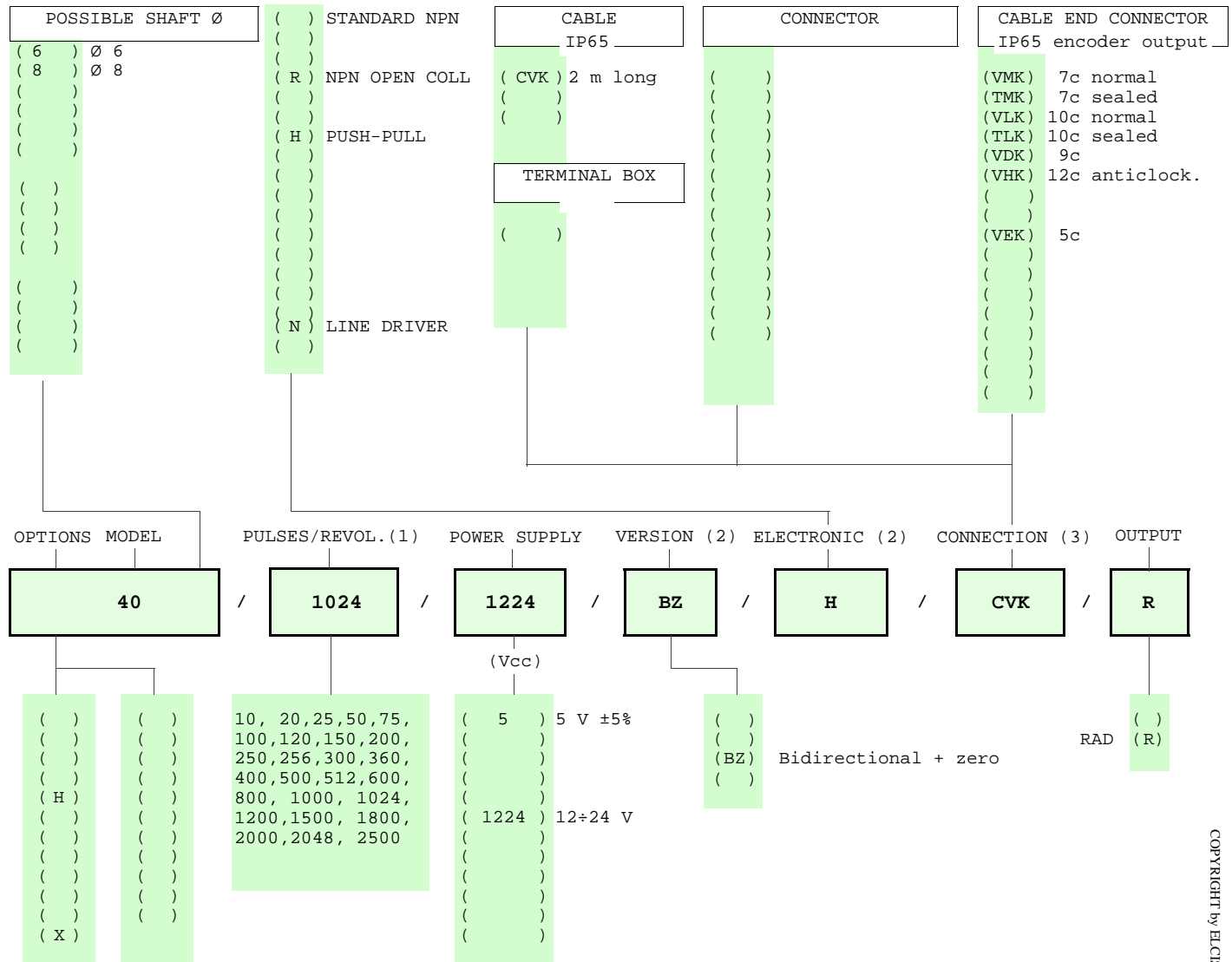


ELCIS s.r.l. Via Rosa Luxembourg 12/14 10093 COLLEGNO (TO) ITALY
Phone: +39 011 715577/78 a.r.
Mail: ELCIS s.r.l. P.O.Box 43 10093 COLLEGNO (TO) ITALY

* <http://www.elcis.com>
* e-mail: info@elcis.com
* Fax: +39 011 712613


POSSIBLE OPTIONS				POSSIBLE CONNECTIONS	
CODE	DESCRIPTION	CODE	DESCRIPTION	CABLE	OUTPUT:
H	Different shaft Ø			CVK	RAD
X	Custom options			CONNECTOR	OUTPUT:
				CABLE END CONNECTOR	OUTPUT:
				VMK TMK VLK TLK VDK VHK VEK	RAD
				TERMINAL BOX	OUTPUT:

ORDERING INFORMATION



(2) For further information see ELECTRONIC data sheet
(3) For further information see CONNECTION data sheet

Product manufactured according to UNI EN ISO 9001:2000, supplied with CHECKING and CONFORMITY declaration with CE mark and with TWO (2) YEARS WARRANTY starting from delivery date.

	ELCIS s.r.l. Via Rosa Luxembourg 12/14 10093 COLLEGNO (TO) ITALY Phone: +39 011 715577/78 a.r. Mail: ELCIS s.r.l. P.O.Box 43 10093 COLLEGNO (TO) ITALY	* http://www.elcis.com * e-mail: info@elcis.com * Fax: +39 011 712613
--	--	---

COPYRIGHT by ELCIS - Collegno (TO)