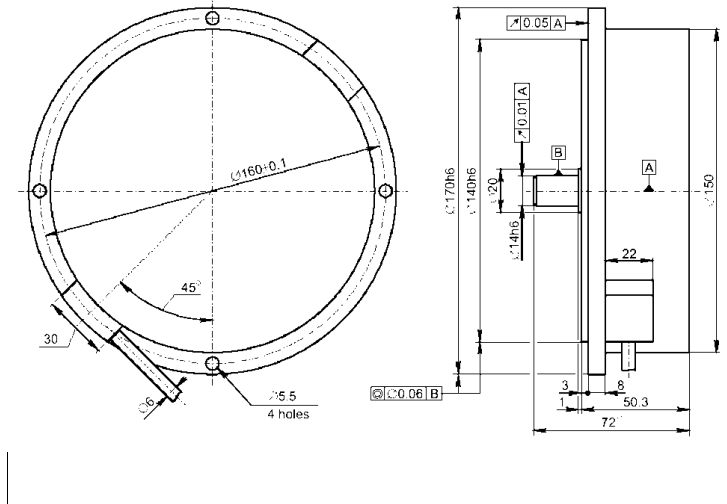


170D

Sized draw standard version: CV R Measures without tolerance according to UNI ISO 2768-mk



TECHNICAL FEATURES AND POSSIBLE CONFIGURATIONS

- | | |
|--|---|
| <ul style="list-style-type: none"> - Base.....: STAINLESS STEEL - Cover.....: STAINLESS STEEL - Weight.....: 3500 g - Shaft.....: $\varnothing 14$ STAINLESS STEEL - Accuracy.....: ± 2.5 arc.sec. - IP output side.(°):: see 'CONNECTION' of page 2 - IP shaft side..(°).> std. 64 sealed - low torq. - opt. type (page 2).> standard - Contin. max RPM(**)> 300 - - - Starting torque gcm> 5000 - - <p>(°) IP according to CEI EN 60529, EN 60529, IEC 529</p> | <ul style="list-style-type: none"> - Ball bearings life....: $1,5 \times 10^9$ revolutions - Impact resistance....: 30 G x 5ms - Vibration resistance..: 10 G (55 ÷ 2000 Hz) - Power supply.....: 5V (see page 2) - Operating temperature: 0 ÷ 70 °C - Storage temperature...: -30 ÷ 85 °C - N° of pulses/rev.....: 18000÷900000 - Max frequency.....: 160÷2200 kHz (w. interpol.) - Max consumptions mA..: (I) 120 (N) 150 - Light source.....: LED with ≥ 100000 h life <p>(**) intermittent max RPM + 30% of continuous max RPM</p> |
|--|---|

ELECTRONICS

CODE	DESCRIPTION	mA	CODE	DESCRIPTION	mA	CODE	DESCRIPTION	mA	CODE	DESCRIPTION	mA
			N	DRIVER 26LS31	20				Y	SINUSOID.1Vpp (signals amplitude: A=0,6...1,2V; B=0,6...1,2V; C=0,2...0,8V)	10

(§)

(§)

(§)

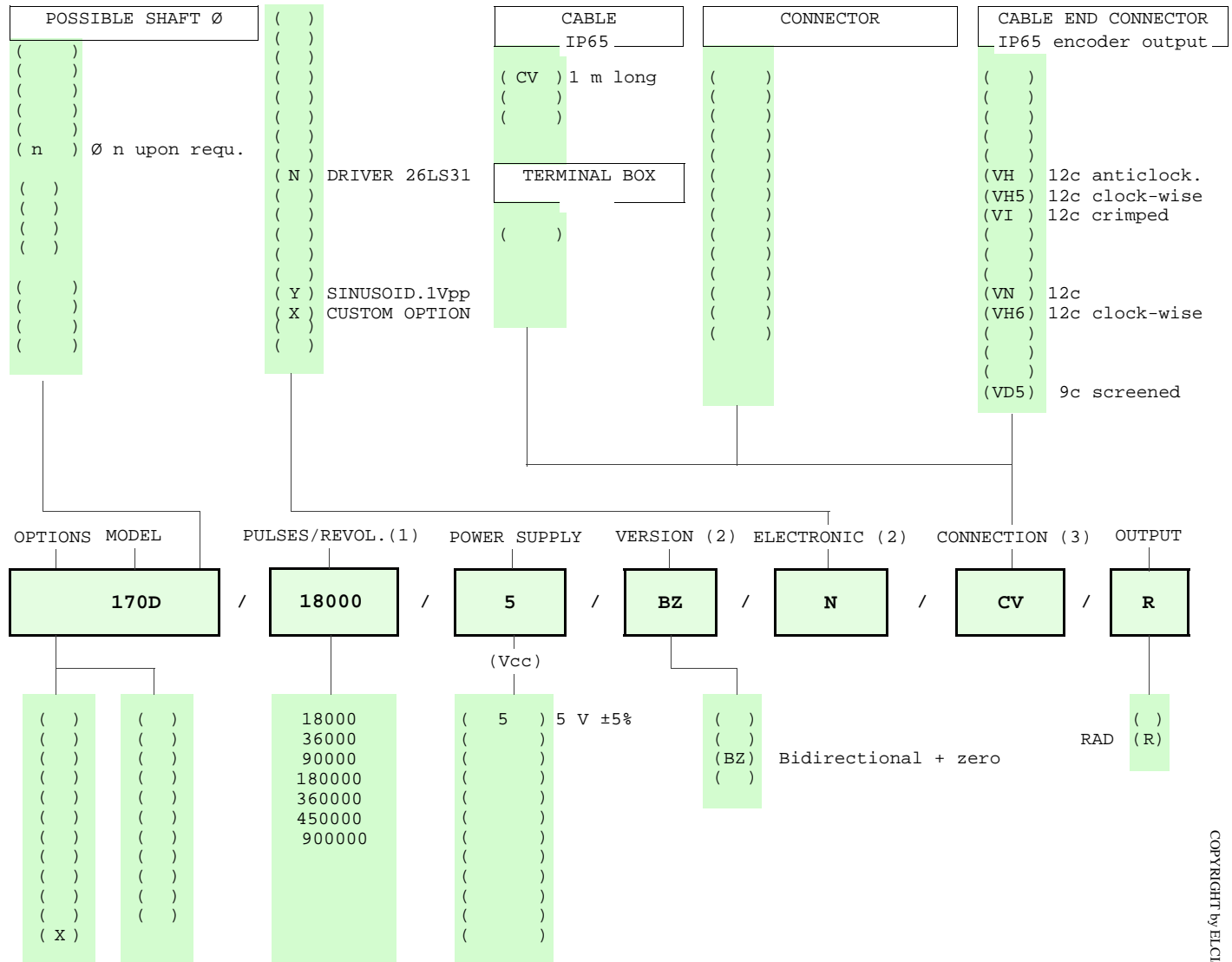
(§)

Tolerance between phases $\pm 25^\circ$, symmetry $\pm 15^\circ$

(§) Clock-wise output rotation (see shaft).


POSSIBLE OPTIONS				POSSIBLE CONNECTIONS	
CODE	DESCRIPTION	CODE	DESCRIPTION		
				CABLE	OUTPUT:
				CV	RAD
				CONNECTOR	OUTPUT:
				CABLE END CONNECTOR	OUTPUT:
				VD5	RAD
				TERMINAL BOX	OUTPUT:
X	Custom options				

ORDERING INFORMATION



(1) For further information see PULSES/REVOL. data sheet
 (2) For further information see ELECTRONIC data sheet
 (3) For further information see CONNECTION data sheet

Product manufactured according to UNI EN ISO 9001:2008, supplied with CHECKING and CONFORMITY declaration with CE mark and with TWO (2) YEARS WARRANTY starting from delivery date.

	ELCIS encoder s.r.l. Via Rosa Luxembourg 12/14 10093 COLLEGNO (TO) ITALY	* http://www.elcis.com
	Phone: +39 011 715577/78 a.r.	* e-mail: info@elcis.com
	MAIL: ELCIS encoder s.r.l. P.O.Box 43 10093 COLLEGNO (TO) ITALY	* Fax: +39 011 712613

COPYRIGHT by ELCIS - Collegno (TO)