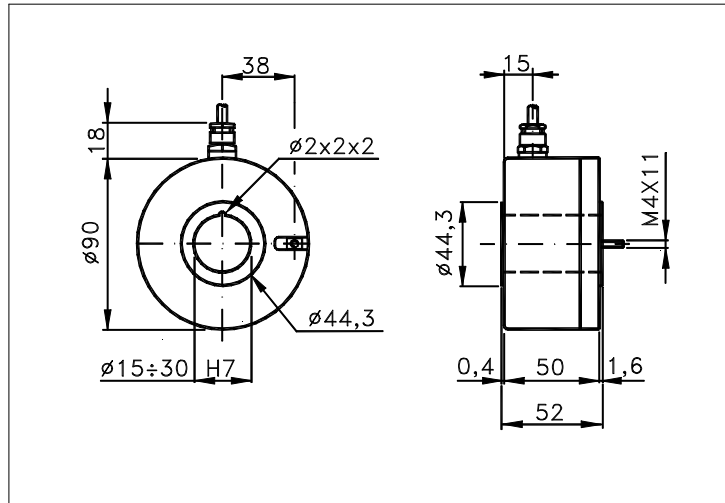


Sized draw standard version: CV R Measures without tolerance according to UNI ISO 2768-mk
Max joint compensation: axial $\pm 0,2$ mm, radial $\pm 0,05$ mm, angular $\pm 2^\circ$



TECHNICAL FEATURES AND POSSIBLE CONFIGURATIONS

- | | |
|--|--|
| - Base.....: ANODIZED ALUMINIUM (*) | - Ball bearings life...: $1,5 \times 10^9$ revolutions |
| - Cover.....: ANODIZED ALUMINIUM (*) | - Impact resistance....: 50 G x 11ms |
| - Weight.....: 650 g | - Vibration resistance..: 12 G (10 ÷ 2000 Hz) |
| - Shaft.....: $\varnothing 15\div 30$ PASS.THR.STAIN.ST. (*) | - Power supply.....: 5÷30V (see page 2) |
| - Max.rad/axial load.: 10 kg | - Operating temperature: 0 ÷ 70 °C (*) |
| - IP output side.(°): see 'CONNECTION' of page 2 | - Storage temperature...: -30 ÷ 85 °C |
| - IP shaft side.(°):> std. 65 sealed - low torq. - | - N° of pulses/rev.....: 1 ÷ 36000 |
| opt. type (page 2):> standard | - Max frequency.....: 100 kHz (300 option) |
| - Contin. max RPM(**):> 1000 - - | - Max consumptions mA...: std 120 line driver 180 (*) |
| - Starting torque gcm> 200 - - | - Light source.....: LED with ≥ 100000 h life |
- (°) IP according to CEI EN 60529, EN 60529, IEC 529
(*) custom options
(**) intermittent max RPM + 30% of continuous max RPM

ELECTRONICS

CODE	DESCRIPTION	mA	CODE	DESCRIPTION	mA	CODE	DESCRIPTION	mA	CODE	DESCRIPTION	mA
	STANDARD NPN	10	N	DRIVER 26LS31	30						
K	NPN OPEN COLL	10	T	TTL 7404	10						
Q	NPN	70	C	DRIVER 88C30	20						
R	NPN OPEN COLL	70									
P	PNP	70									
U	PNP OPEN COLL	70									
B	PUSH-PULL PRO	70									
H	PUSH-PULL	70									

Tolerance between phases $\pm 25^\circ$, symmetry $\pm 15^\circ$

(§) Clock-wise output rotation (see shaft).



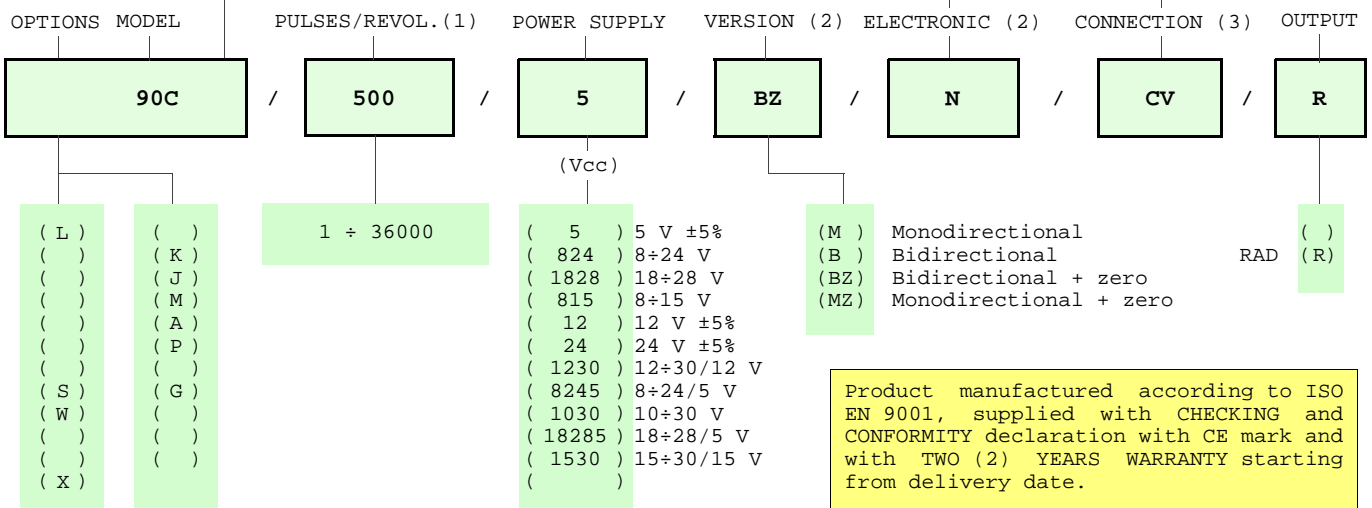
ELCIS s.r.l. Via Rosa Luxembourg 12/14 10093 COLLEGNO (TO) ITALY
Phone: +39 011 715577/78 a.r.
MAIL: ELCIS s.r.l. P.O.Box 90 10093 COLLEGNO (TO) ITALY

* <http://www.elcis.com>
* e-mail: info@elcis.com
* Fax: +39 011 712613

POSSIBLE OPTIONS				POSSIBLE CONNECTIONS								
CODE	DESCRIPTION	CODE	DESCRIPTION	CABLE			OUTPUT:					
L	Low temperature	K	Invert. phase A,B,Zero.	CV			RAD					
		J	Zero logic combination	CONNECTOR			OUTPUT:					
		M	Impregnated electronic		CH	CH5						
		A	High temperature		CH6		RAD					
		P	Compressed air attack	CABLE END CONNECTOR			OUTPUT:					
S	160 KHz frequency	G	Tropicalization	VM	TM	VL	TL	VD	VH	VH5	VI	
W	300 KHz frequency			VE	VK	TK	VN	VH6	VM5	VM9	VS	RAD
X	Custom options			VD5								
				TERMINAL BOX			OUTPUT:					


ORDERING INFORMATION

POSSIBLE HOLLOW Ø		CABLE	CONNECTOR	CABLE END CONNECTOR
(15) Ø 15	() STANDARD NPN	IP65		IP65 encoder output
(20) Ø 20	(K) NPN OPEN COLL	(CV) 1 m long	()	(VM) 7c normal
(25) Ø 25	(Q) NPN	()	()	(TM) 7c sealed
(30) Ø 30	(R) NPN OPEN COLL	()	()	(VL) 10c normal
()	(P) PNP	()	()	(TL) 10c sealed
(n) Ø n upon requ.	(U) PNP OPEN COLL	TERMINAL BOX	()	(VD) 9c
()	(B) PUSH-PULL PRO	IP00	(CH) 12c ccw	(VH) 12c anticlock.
()	(H) PUSH-PULL	()	(CH5) 12c cw	(VH5) 12c clock-wise
()	(N) DRIVER 26LS31		()	(VI) 12c crimped
()	(T) TTL 7404		()	(VE) 5c
()	(C) DRIVER 88C30		()	(VK) 17c normal
()	()		()	(TK) 17c sealed
()	()		()	(VN) 12c
()	(X) CUSTOM OPTION		(CH6) 12c cw	(VH6) 12c clock-wise
()	()		()	(VM5) 26c
()	()		()	(VM9) 16c
()	()		()	(VS) 12c
()	()		()	(VD5) 9c screened



NOTE: FOR 88C30 MAX 15 Vdc

- (1) For further information see PULSES/REVOL. data sheet
- (2) For further information see ELECTRONIC data sheet
- (3) For further information see CONNECTION data sheet

	<p>ELCIS s.r.l. Via Rosa Luxembourg 12/14 10093 COLLEGNO (TO) ITALY Phone: +39 011 715577/78 a.r. MAIL: ELCIS s.r.l. P.O.Box 90 10093 COLLEGNO (TO) ITALY</p>	<p>* http://www.elcis.com * e-mail: info@elcis.com * Fax: +39 011 712613</p>
--	---	---

COPYRIGHT by ELCIS - Collegno (TO)