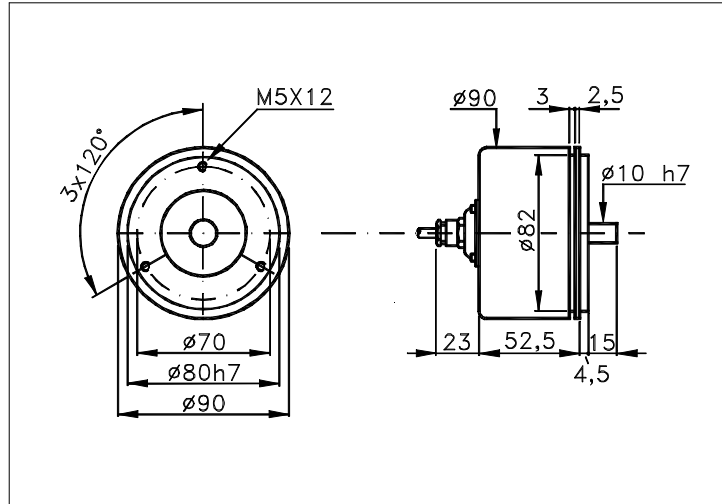


**90D**

Sized draw standard version: CV Measures without tolerance according to UNI ISO 2768-mk



**TECHNICAL FEATURES AND POSSIBLE CONFIGURATIONS**

- Base.....: ANODIZED ALUMINIUM (\*)
- Cover.....: ANODIZED ALUMINIUM (\*)
- Weight.....: 600 g
- Shaft.....: Ø 10 STAINLESS STEEL (\*)
- Max.rad/axial load.: 3 kg
- IP output side.(°): see 'CONNECTION' of page 2
- IP shaft side.(°).> std. 65 | sealed 66 | low torq. 53
- opt. type (page 2).> standard | Z | B
- Contin. max RPM(\*\*)> 6000 | 3000 | 12000
- Starting torque gcm> 25 | 40 | 18
- Ball bearings life....: 1,5 x 10<sup>9</sup> revolutions
- Impact resistance....: 50 G x 11ms
- Vibration resistance.: 12 G (10 ÷ 2000 Hz)
- Power supply.....: 5÷30V (see page 2)
- Operating temperature: 0 ÷ 70 °C (\*)
- Storage temperature...: -30 ÷ 85 °C
- N° of pulses/rev.....: 1 ÷ 90000
- Max frequency.....: 100 kHz (1000 option)
- Max consumptions mA...: std 120 line driver 180 (\*)
- Light source.....: LED with >= 100000 h life

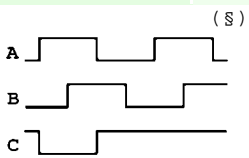
(°) IP according to CEI EN 60529, EN 60529, IEC 529

(\*) custom options

(\*\*) intermittent max RPM + 30% of continuous max RPM

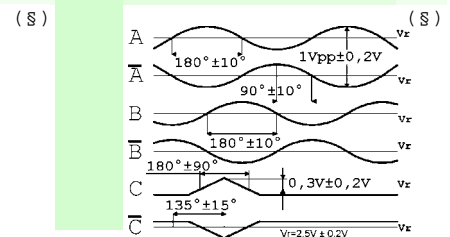
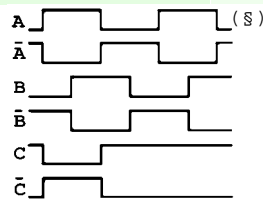
**ELECTRONICS**

CODE	DESCRIPTION	mA	CODE	DESCRIPTION	mA	CODE	DESCRIPTION	mA	CODE	DESCRIPTION	mA
	STANDARD NPN	10	N	DRIVER 26LS31	30				Y	SINUSOID. 1Vpp	10
K	NPN OPEN COLL	10	T	TTL 7404	10						
Q	NPN	70	C	DRIVER 88C30	20						
R	NPN OPEN COLL	70									
P	PNP	70									
U	PNP OPEN COLL	70									
B	PUSH-PULL PRO	70									
H	PUSH-PULL	70									



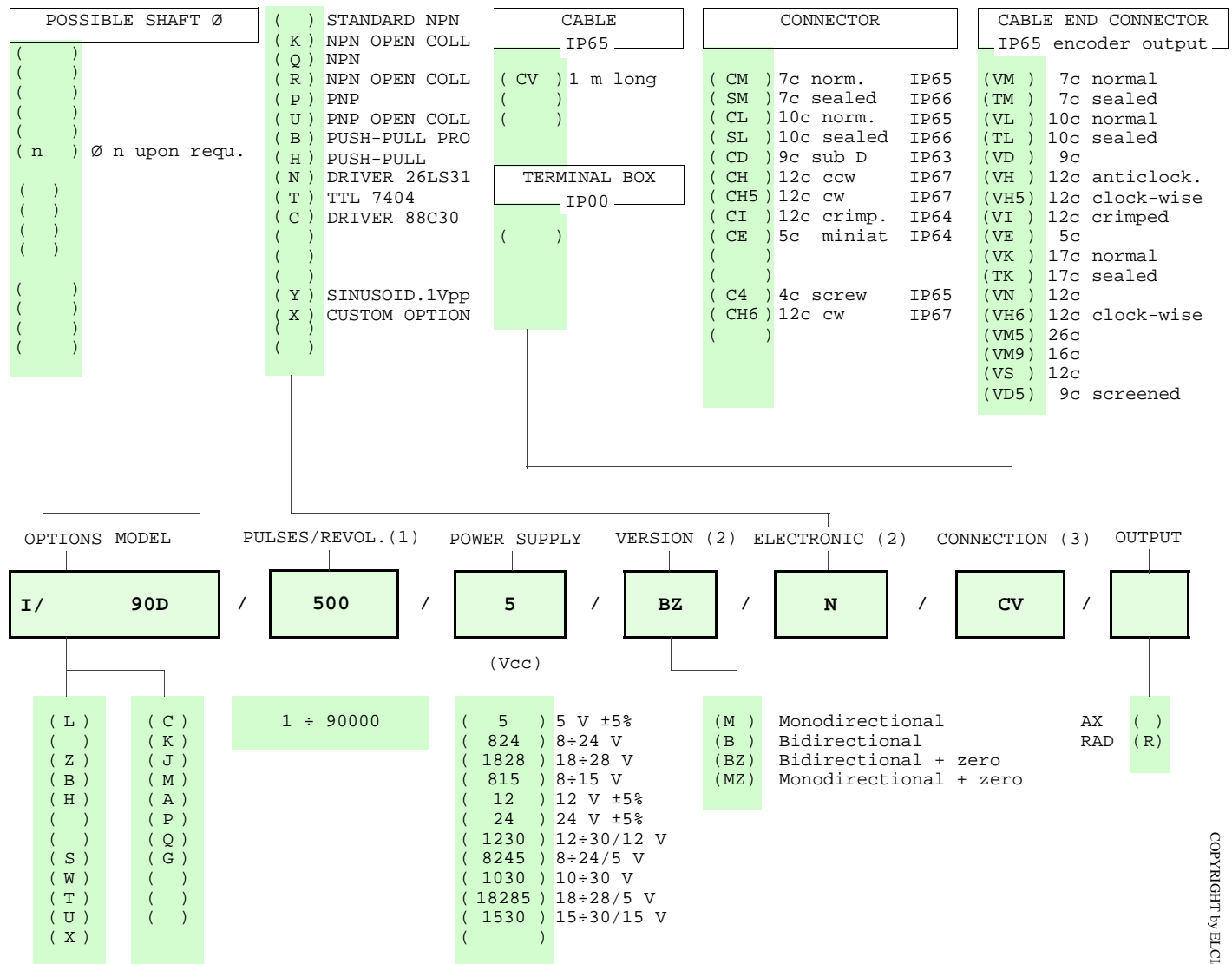
Tolerance between phases ± 25°, symmetry ± 15°

(§) Clock-wise output rotation (see shaft).



POSSIBLE OPTIONS				POSSIBLE CONNECTIONS								
CODE	DESCRIPTION	CODE	DESCRIPTION	CABLE				OUTPUT:				
L	Low temperature	C	Low consumption					AX				
Z	Sealed ball bearing	K	Invert. phase A,B,Zero.					RAD				
B	Low torque ball bear.	J	Zero logic combination									
H	Different shaft Ø	M	Impregnated electronic									
		A	High temperature									
		P	Compressed air attack									
		Q	Oil seal									
		G	Tropicalization									
S	160 KHz frequency											
W	300 KHz frequency											
T	500 KHz frequency											
U	1 MHz frequency											
X	Custom options											
				CONNECTOR				OUTPUT:				
				CM	SM	CL	SL	CD	CH	CH5	CI	AX
							C4	CH6				RAD
				CABLE END CONNECTOR				OUTPUT:				
				VM	TM	VL	TL	VD	VH	VH5	VI	AX
				VE	VK	TK	VN	VH6	VM5	VM9	VS	RAD
				VD5								
				TERMINAL BOX				OUTPUT:				


**ORDERING INFORMATION**



NOTE: FOR 88C30 MAX 15 Vdc

Product manufactured according to UNI EN ISO 9001:2000, supplied with CHECKING and CONFORMITY declaration with CE mark and with TWO (2) YEARS WARRANTY starting from delivery date.

- (1) For further information see PULSES/REVOL. data sheet
- (2) For further information see ELECTRONIC data sheet
- (3) For further information see CONNECTION data sheet

	ELCIS encoder s.r.l. Via Rosa Luxembourg 12/14 10093 COLLEGNO (TO) ITALY	* <a href="http://www.elcis.com">http://www.elcis.com</a>
	Phone: +39 011 715577/78 a.r.	* e-mail: <a href="mailto:info@elcis.com">info@elcis.com</a>
	MAIL: ELCIS encoder s.r.l. P.O.Box 70 10093 COLLEGNO (TO) ITALY	* Fax: +39 011 712613

COPYRIGHT by ELCIS - Collegno (TO)