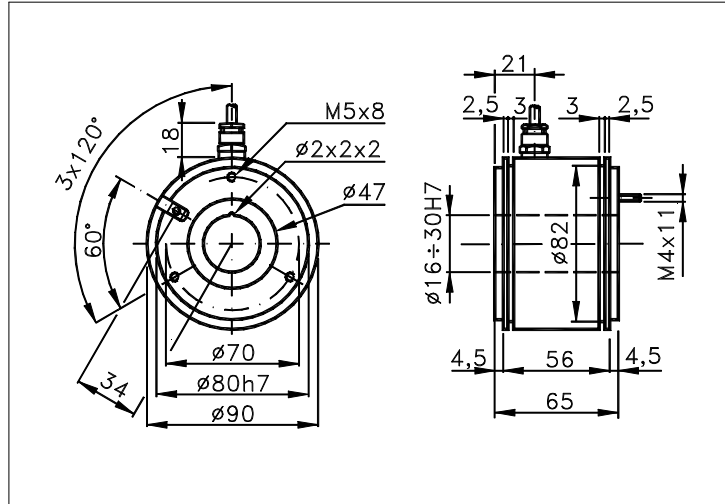


90Z

Sized draw standard version: CV R Measures without tolerance according to UNI ISO 2768-mk
Max joint compensation: axial ± 0,2mm, radial ± 0,05mm, angular ± 1°

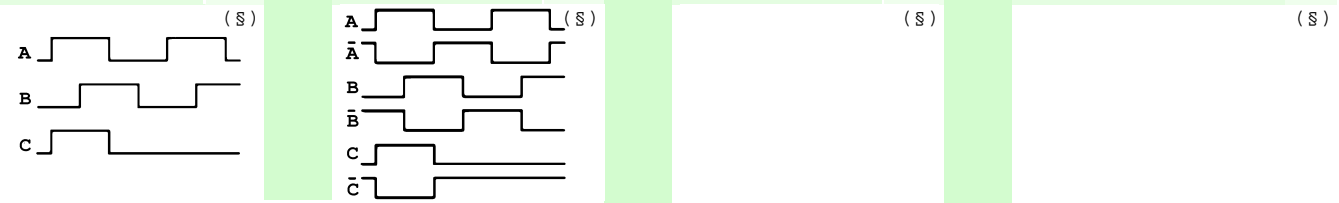


TECHNICAL FEATURES AND POSSIBLE CONFIGURATIONS

- Base.....: ANODIZED ALUMINIUM (*)
 - Cover.....: ANODIZED ALUMINIUM (*)
 - Weight.....: 750 g
 - Shaft.....: Ø 16÷30 PASS.THR.STAIN.ST. (*)
 - Max.rad/axial load.: 6 kg
 - IP output side.(°): see 'CONNECTION' of page 2
 - IP shaft side.(°):> std. 65 | sealed - | low torq. -
opt. type (page 2):> standard
 - Contin. max RPM(**):> 500 - -
 - Starting torque gcm> 80 - -
 - Ball bearings life....: 1,5 x 10⁹ revolutions
 - Impact resistance....: 50 G x 11ms
 - Vibration resistance.: 12 G (10 ÷ 2000 Hz)
 - Power supply.....: 5÷30V (see page 2)
 - Operating temperature: 0 ÷ 70 °C (*)
 - Storage temperature...: -30 ÷ 85 °C
 - N° of pulses/rev.....: 1 ÷ 36000
 - Max frequency.....: 100 kHz (500 option)
 - Max consumptions mA...: std 120 line driver 180 (*)
 - Light source.....: LED with >= 100000 h life
- (°) IP according to CEI EN 60529, EN 60529, IEC 529
(*) custom options
(**) intermittent max RPM + 30% of continuous max RPM

ELECTRONICS

CODE	DESCRIPTION	mA	CODE	DESCRIPTION	mA	CODE	DESCRIPTION	mA	CODE	DESCRIPTION	mA
	STANDARD NPN	10	N	DRIVER 26LS31	30						
K	NPN OPEN COLL	10	T	TTL 7404	10						
Q	NPN	70	C	DRIVER 88C30	20						
R	NPN OPEN COLL	70									
P	PNP	70									
U	PNP OPEN COLL	70									
B	PUSH-PULL PRO	70									
H	PUSH-PULL	70									



Tolerance between phases ± 25° , symmetry ± 15°
(§) Clock-wise output rotation (see shaft).

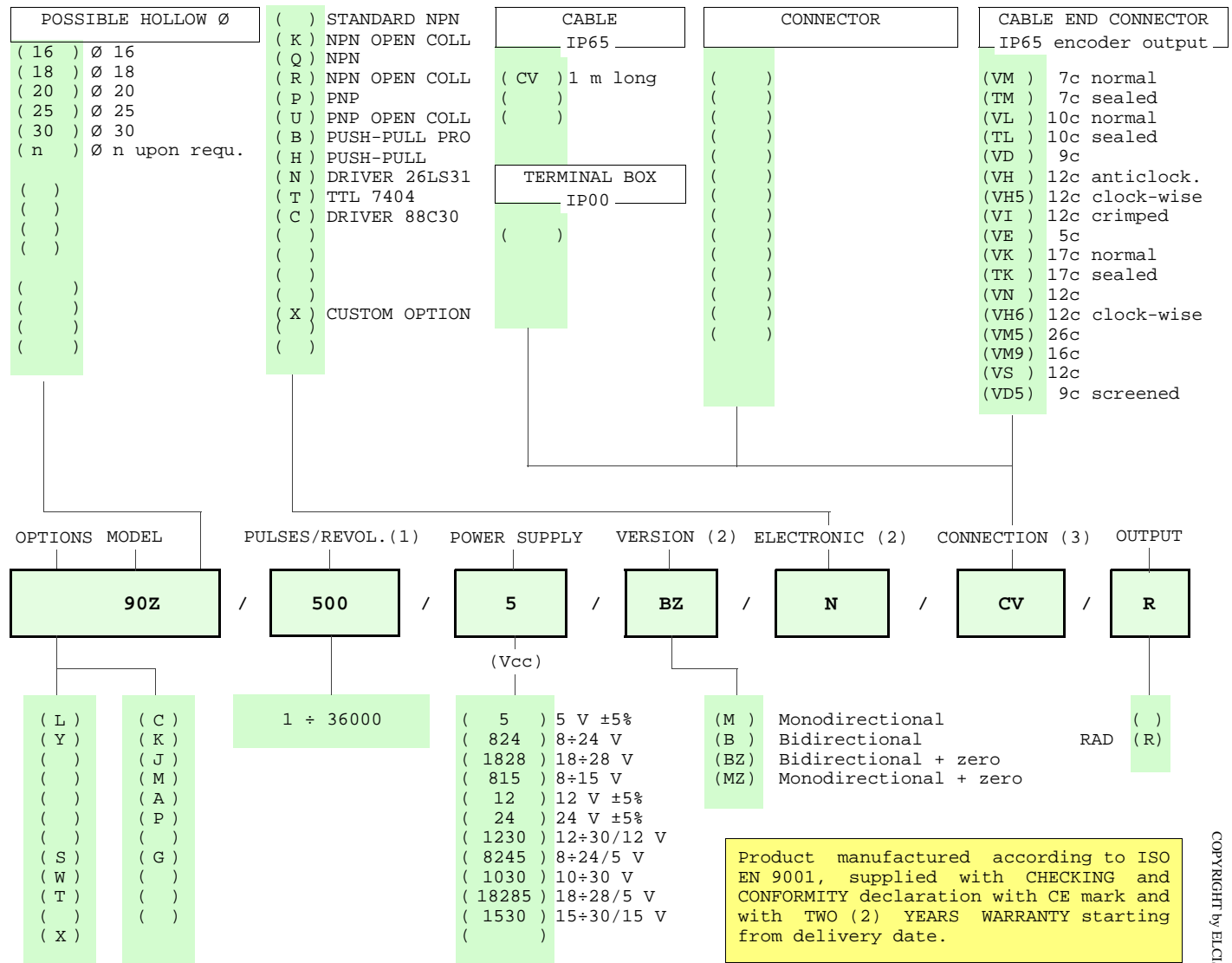


ELCIS s.r.l. Via Rosa Luxembourg 12/14 10093 COLLEGNO (TO) ITALY
Phone: +39 011 715577/78 a.r.
MAIL: ELCIS s.r.l. P.O.Box 90 10093 COLLEGNO (TO) ITALY

* <http://www.elcis.com>
* e-mail: info@elcis.com
* Fax: +39 011 712613

POSSIBLE OPTIONS				POSSIBLE CONNECTIONS			
CODE	DESCRIPTION	CODE	DESCRIPTION	CABLE		OUTPUT:	
L	Low temperature	C	Low consumption	CV			RAD
Y	Unbreakable disk	K	Invert. phase A,B,Zero.	CONNECTOR		OUTPUT:	
		J	Zero logic combination				
		M	Impregnated electronic	CABLE END CONNECTOR		OUTPUT:	
		A	High temperature	VM	TM	VL	TL
		P	Compressed air attack	VD	VH	VH5	VI
S	160 KHz frequency	G	Tropicalization	VE	VK	TK	VN
W	300 KHz frequency			VM5	VM9	VS	
T	500 KHz frequency			VD5			RAD
X	Custom options			TERMINAL BOX		OUTPUT:	

ORDERING INFORMATION



NOTE: FOR 88C30 MAX 15 Vdc

- (1) For further information see PULSES/REVOL. data sheet
- (2) For further information see ELECTRONIC data sheet
- (3) For further information see CONNECTION data sheet

	<p>ELCIS s.r.l. Via Rosa Luxembourg 12/14 10093 COLLEGNO (TO) ITALY Phone: +39 011 715577/78 a.r. MAIL: ELCIS s.r.l. P.O.Box 90 10093 COLLEGNO (TO) ITALY</p>	<p>* http://www.elcis.com * e-mail: info@elcis.com * Fax: +39 011 712613</p>
--	---	---