

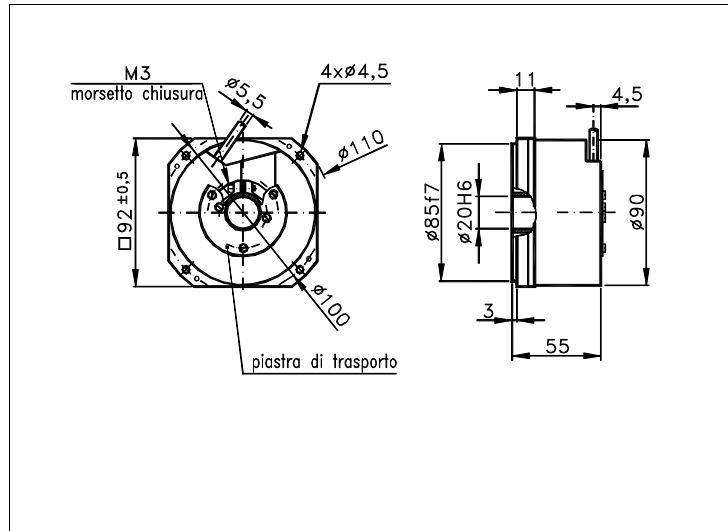
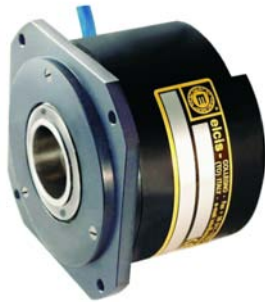
INCREMENTAL ENCODER

92CD

HIGH RESOLUTION ENCODER FIT TO BE USED ON DIVIDING TABLES ETC.
IT EMBODIES A SPECIAL TANGENTIAL COUPLIN WITH HIGH PRECISION.
STAINLESS STEEL SHAFT AND BASE.

Family: **I**
page: 04.92CD 1/2
data sheet . II 157 E0D

Sized draw standard version: CV R Measures without tolerance according to UNI ISO 2768-mk
Max joint compensation: axial ± 0,01mm, radial ± 0,02mm



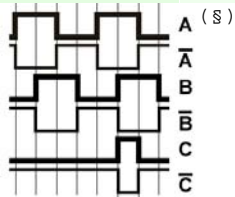
TECHNICAL FEATURES AND POSSIBLE CONFIGURATIONS

- | | |
|--|--|
| <ul style="list-style-type: none"> - Base.....: STAINLESS STEEL - Cover.....: ANODIZED ALUMINIUM - Weight.....: 1200 g - Shaft.....: Ø 20 PASS. THR. STAIN. STEEL - Accuracy.....: ±5 arc.sec. - IP output side.(°): see 'CONNECTION' of page 2 - IP shaft side.(°):> std. 64 sealed - low torq. - opt. type (page 2):> standard - Contin. max RPM(**):> 600 - - - Starting torque gcm> 5000 - - <p>(°) IP according to CEI EN 60529, EN 60529, IEC 529</p> | <ul style="list-style-type: none"> - Ball bearings life...: 1,5 x 10⁹ revolutions - Impact resistance...: 30 G x 5ms - Vibration resistance...: 10 G (55 ÷ 2000 Hz) - Power supply.....: 5V (see page 2) - Operating temperature: 0 ÷ 70 °C - Storage temperature...: -30 ÷ 85 °C - N° of pulses/rev.....: 9000÷900000 - Max frequency.....: 160÷2200 kHz (w. interpol.) - Max consumptions mA...: (I) 120 (N) 150 - Light source.....: LED with >= 100000 h life <p>(**) intermittent max RPM + 30% of continuous max RPM</p> |
|--|--|

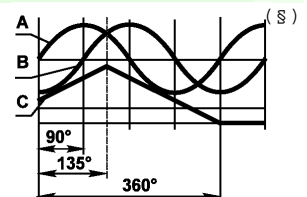
ELECTRONICS

| CODE | DESCRIPTION | mA | CODE | DESCRIPTION | mA | CODE | DESCRIPTION | mA | CODE | DESCRIPTION | mA |
|------|-------------|----|------|---------------|----|------|-------------|----|------|--|----|
| | | | N | DRIVER 26LS31 | 20 | | | | Y | SINUSOID. 1Vpp (signals amplitude: A=0,6...1,2V; B=0,6...1,2V; C=0,2...0,8V) | 10 |

(§)



(§)



Tolerance between phases ± 25°, symmetry ± 15°

(§) Clock-wise output rotation (see shaft).



ELCIS encoder s.r.l. Via Rosa Luxembourg 12/14 10093 COLLEGNO (TO) ITALY
Phone: +39 011 715577/78 a.r.
MAIL: ELCIS encoder s.r.l. P.O.Box 43 10093 COLLEGNO (TO) ITALY

* <http://www.elcis.com>
* e-mail: info@elcis.com
* Fax: +39 011 712613

