

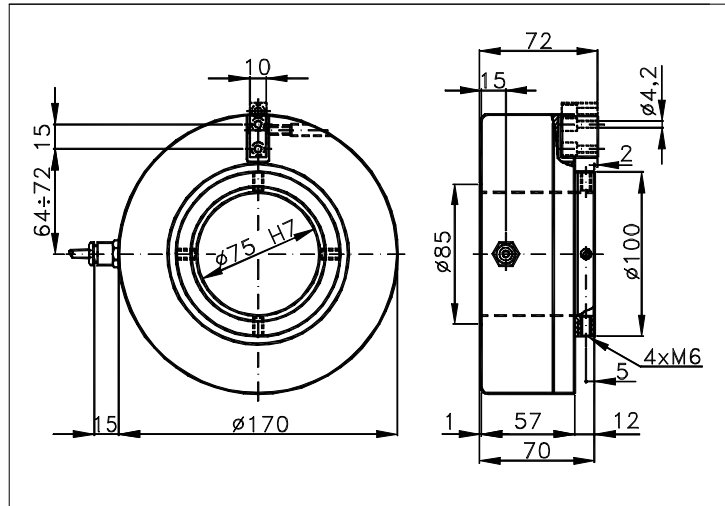
INCREMENTAL ENCODER

170CA

ENCODER WITH PASS THROUGH SHAFT Ø 50÷75 mm AND EQUIPPED WITH INTERNAL TANGENTIAL COUPLING. METALLIC CASE FOR MEDIUM-SEVERE INDUSTRIAL USES.

Family: **I**
page: 05.170CA 1/2
data sheet . II 105 E00

Sized draw standard version: CV R Measures without tolerance according to UNI ISO 2768-mk
Max joint compensation: axial ± 0,25mm, radial ± 0,05mm, angular ± 2°



TECHNICAL FEATURES AND POSSIBLE CONFIGURATIONS

- | | |
|--|--|
| - Base.....: ANODIZED ALUMINIUM (*) | - Ball bearings life...: 1,5 x 10 ⁹ revolutions |
| - Cover.....: ANODIZED ALUMINIUM (*) | - Impact resistance....: 50 G x 11ms |
| - Weight.....: 2600 g | - Vibration resistance..: 12 G (10 ÷ 2000 Hz) |
| - Shaft.....: Ø 50÷75 PASS THR.STAINL.ST (*) | - Power supply.....: 5÷30V (see page 2) |
| - Max.rad/axial load.: 20 kg | - Operating temperature: 0 ÷ 70 °C (*) |
| - IP output side.(°): see 'CONNECTION' of page 2 | - Storage temperature...: -30 ÷ 85 °C |
| - IP shaft side.(°)> std. 55 sealed 66 low torq. - | - N° of pulses/rev.....: 1 ÷ 9000 |
| opt. type (page 2)> standard Z | - Max frequency.....: 100 kHz (300 option) |
| - Contin. max RPM(**)> 2500 1000 - | - Max consumptions mA...: std 120 line driver 180 (*) |
| - Starting torque gcm> 4500 5500 - | - Light source.....: LED with >= 100000 h life |

(°) IP according to CEI EN 60529, EN 60529, IEC 529

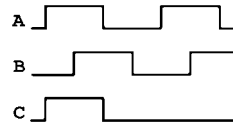
(*) custom options

(**) intermittent max RPM + 30% of continuous max RPM

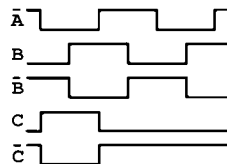
ELECTRONICS

CODE	DESCRIPTION	mA	CODE	DESCRIPTION	mA	CODE	DESCRIPTION	mA	CODE	DESCRIPTION	mA
	STANDARD NPN	10	N	DRIVER 26LS31	30						
K	NPN OPEN COLL	10	T	TTL 7404	10						
Q	NPN	70	C	DRIVER 88C30	20						
R	NPN OPEN COLL	70									
P	PNP	70									
U	PNP OPEN COLL	70									
B	PUSH-PULL PRO	70									
H	PUSH-PULL	70									

(§) Clock-wise output rotation (see shaft).



(§) Clock-wise output rotation (see shaft).



(§) Clock-wise output rotation (see shaft).

(§) Clock-wise output rotation (see shaft).

Tolerance between phases ± 25°, symmetry ± 15°

(§) Clock-wise output rotation (see shaft).



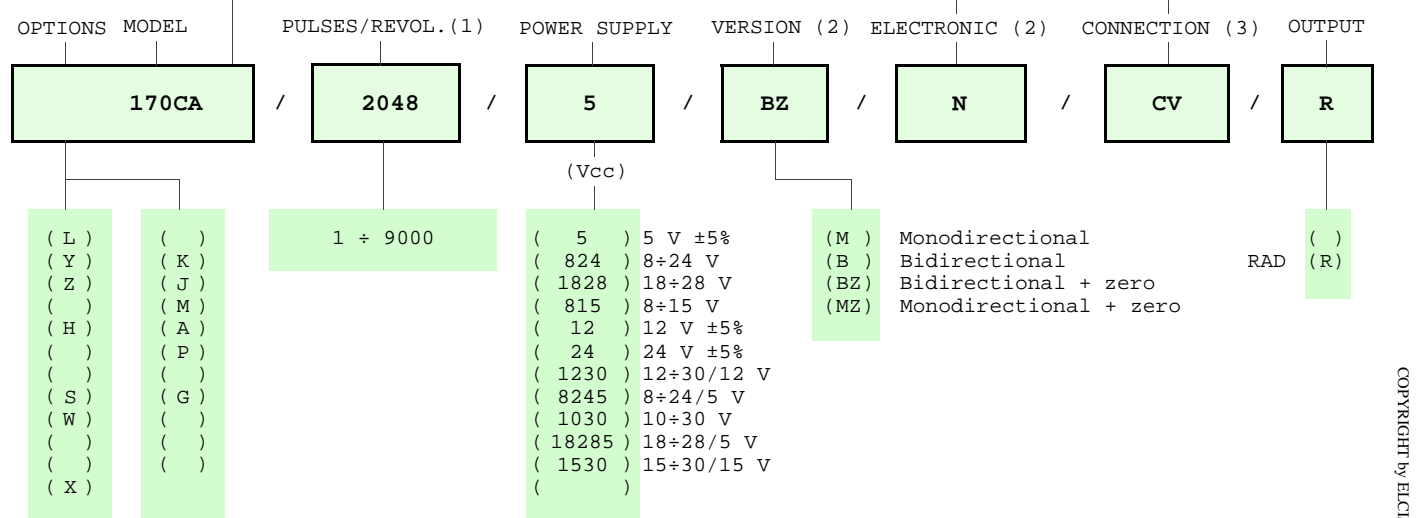
ELCIS s.r.l. Via Rosa Luxembourg 12/14 10093 COLLEGNO (TO) ITALY
Phone: +39 011 715577/78 a.r.
MAIL: ELCIS s.r.l. P.O.Box 43 10093 COLLEGNO (TO) ITALY

* <http://www.elcis.com>
* e-mail: info@elcis.com
* Fax: +39 011 712613

POSSIBLE OPTIONS				POSSIBLE CONNECTIONS			
CODE	DESCRIPTION	CODE	DESCRIPTION	CABLE			OUTPUT:
L	Low temperature	K	Invert. phase A,B,Zero.	CV			RAD
Y	Unbreakable disk	J	Zero logic combination	CONNECTOR			OUTPUT:
Z	Sealed ball bearing	M	Impregnated electronic	CH CH5			RAD
H	Different shaft Ø	A	High temperature	CH6			RAD
S	160 KHz frequency	P	Compressed air attack	CABLE END CONNECTOR			OUTPUT:
W	300 KHz frequency	G	Tropicalization	VM TM VL TL VD VH VH5 VI	RAD		
X	Custom options			VE VK TK VN VH6 VM5 VM9 VS	RAD		
				VD5	RAD		
				TERMINAL BOX			OUTPUT:

ORDERING INFORMATION


POSSIBLE HOLLOW Ø	STANDARD NPN	CABLE	CONNECTOR	CABLE END CONNECTOR
(50) Ø 50	(K) NPN OPEN COLL	IP65		IP65 encoder output
(55) Ø 55	(Q) NPN	(CV) 1 m long	()	(VM) 7c normal
(60) Ø 60	(R) NPN OPEN COLL	()	()	(TM) 7c sealed
(65) Ø 65	(P) PNP	()	()	(VL) 10c normal
(70) Ø 70	(U) PNP OPEN COLL	()	()	(TL) 10c sealed
(75) Ø 75	(B) PUSH-PULL PRO	()	()	(VD) 9c
()	(H) PUSH-PULL	TERMINAL BOX	(CH) 12c ccw IP67	(VH) 12c anticlock.
(n) Ø n upon requ.	(N) DRIVER 26LS31	()	(CH5) 12c cw IP67	(VH5) 12c clock-wise
()	(T) TTL 7404	()	()	(VI) 12c crimped
()	(C) DRIVER 88C30	()	()	(VE) 5c
()	()	()	()	(VK) 17c normal
()	()	()	()	(TK) 17c sealed
()	(X) CUSTOM OPTION	()	(CH6) 12c cw IP67	(VN) 12c
()	()	()	()	(VH6) 12c clock-wise
()	()	()	()	(VM5) 26c
()	()	()	()	(VM9) 16c
()	()	()	()	(VS) 12c
()	()	()	()	(VD5) 9c screened



NOTE: FOR 88C30 MAX 15 Vdc

Product manufactured according to UNI EN ISO 9001:2000, supplied with CHECKING and CONFORMITY declaration with CE mark and with TWO (2) YEARS WARRANTY starting from delivery date.

- (1) For further information see PULSES/REVOL. data sheet
- (2) For further information see ELECTRONIC data sheet
- (3) For further information see CONNECTION data sheet

	ELCIS s.r.l. Via Rosa Luxembourg 12/14 10093 COLLEGNO (TO) ITALY	* http://www.elcis.com
	Phone: +39 011 715577/78 a.r.	* e-mail: info@elcis.com
	MAIL: ELCIS s.r.l. P.O.Box 43 10093 COLLEGNO (TO) ITALY	* Fax: +39 011 712613

COPYRIGHT by ELCIS - Collegno (TO)