

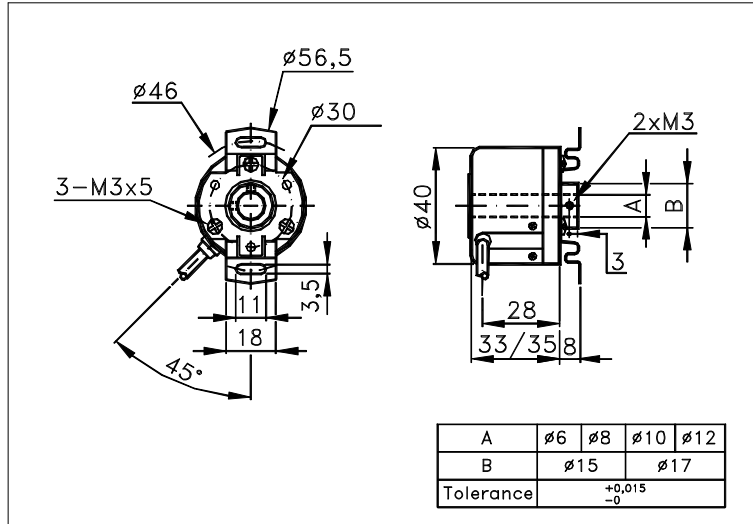
INCREMENTAL ENCODER

40Z

MINIATURE ENCODER EQUIPPED WITH A SPECIAL TANGENTIAL COUPLING.
FIT FOR GENERAL PURPOSES AT LOW PRICE.

Family: **I**
page: 05. 40Z 1/2
data sheet . II 129 E0C

Sized draw standard version: CVK R Measures without tolerance according to UNI ISO 2768-mk

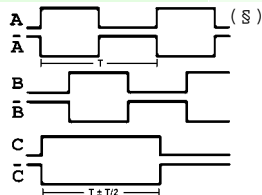
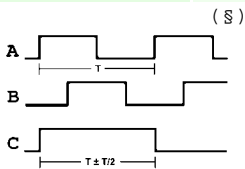


TECHNICAL FEATURES AND POSSIBLE CONFIGURATIONS

- Base.....: ALUMINIUM
 - Cover.....: STEEL
 - Weight.....: 120 g
 - Shaft.....: Ø 6÷12 PASS.THR. STEEL
 - Max.rad/axial load.: 2 kg
 - IP output side.(°): see 'CONNECTION' of page 2
 - IP shaft side..(°)> std. 52 | sealed - | low torq. -
 - opt. type (page 2).> standard
 - Contin. max RPM(**)> 5000 | - | -
 - Starting torque gcm> 10
 - Ball bearings life....: 1,5 x 10⁹ revolutions
 - Impact resistance....: 50 G x 11ms
 - Vibration resistance.: 12 G (10 ÷ 2000 Hz)
 - Power supply.....: 5÷24V (see page 2)
 - Operating temperature: -10÷70 °C
 - Storage temperature...: -30 ÷ 85 °C
 - N° of pulses/rev.....: 10 ÷ 2500
 - Max frequency.....: 180 kHz
 - Max consumptions mA...: std 60 line driver 50
 - Light source.....: LED with >= 100000 h life
- (°) IP according to CEI EN 60529, EN 60529, IEC 529
- (**) intermittent max RPM + 30% of continuous max RPM

ELECTRONICS

CODE	DESCRIPTION	mA	CODE	DESCRIPTION	mA	CODE	DESCRIPTION	mA	CODE	DESCRIPTION	mA
	STANDARD NPN	10	N	LINE DRIVER	20						
R	NPN OPEN COLL	30									
H	PUSH-PULL	30									



Tolerance between phases ± 45°, symmetry ± 20°

(§) Clock-wise output rotation (see shaft).



ELCIS encoder s.r.l. Via Rosa Luxembourg 12/14 10093 COLLEGNO (TO) ITALY
Phone: +39 011 715577/78 a.r.
MAIL: ELCIS encoder s.r.l. P.O.Box 43 10093 COLLEGNO (TO) ITALY

* <http://www.elcis.com>
* e-mail: info@elcis.com
* Fax: +39 011 712613

POSSIBLE OPTIONS				POSSIBLE CONNECTIONS	
CODE	DESCRIPTION	CODE	DESCRIPTION	CABLE	OUTPUT:
				CVK	RAD
				CONNECTOR	OUTPUT:
				CABLE END CONNECTOR	OUTPUT:
X	Custom options			VMK TMK VLK TLK VDK VHK VEK	RAD
				TERMINAL BOX	OUTPUT:

ORDERING INFORMATION


POSSIBLE HOLLOW Ø		CABLE	CONNECTOR	CABLE END CONNECTOR
(6) Ø 6	() STANDARD NPN	IP65		IP65 encoder output
(8) Ø 8	()	(CVK) 2 m long	()	(VMK) 7c normal
(10) Ø 10	(R) NPN OPEN COLL	()	()	(TMK) 7c sealed
(12) Ø 12	()	()	()	(VLK) 10c normal
()	(H) PUSH-PULL	TERMINAL BOX	()	(TLK) 10c sealed
()	()	()	()	(VDK) 9c
()	()	()	()	(VHK) 12c anticlock.
()	()	()	()	()
()	()	()	()	()
()	()	()	()	()
()	(N) LINE DRIVER	()	()	(VEK) 5c
()	()	()	()	()
()	()	()	()	()
()	()	()	()	()
()	()	()	()	()
()	()	()	()	()
()	()	()	()	()

OPTIONS MODEL	PULSES/REVOL. (1)	POWER SUPPLY	VERSION (2)	ELECTRONIC (2)	CONNECTION (3)	OUTPUT
40Z 12	1024	1224	BZ	H	CVK	R
()	10, 20, 25, 50, 75,	(5) 5 V ±5%	()	()		()
()	100, 120, 150, 200,	()	()	()		RAD (R)
()	250, 256, 300, 360,	()	(BZ) Bidirectional + zero	()		
()	400, 500, 512, 600,	()	()	()		
()	800, 1000, 1024,	(1224) 12÷24 V	()	()		
()	1200, 1500, 1800,	()	()	()		
()	2000, 2048, 2500	()	()	()		
()	()	()	()	()		
()	()	()	()	()		
()	()	()	()	()		
(X)	()	()	()	()		

Product manufactured according to UNI EN ISO 9001:2000, supplied with CHECKING and CONFORMITY declaration with CE mark and with TWO (2) YEARS WARRANTY starting from delivery date.

(2) For further information see ELECTRONIC data sheet
 (3) For further information see CONNECTION data sheet

COPYRIGHT by ELCIS - Collegno (TO)

	ELCIS encoder s.r.l. Via Rosa Luxembourg 12/14 10093 COLLEGNO (TO) ITALY Phone: +39 011 715577/78 a.r. MAIL: ELCIS encoder s.r.l. P.O.Box 43 10093 COLLEGNO (TO) ITALY	* http://www.elcis.com * e-mail: info@elcis.com * Fax: +39 011 712613
--	--	---