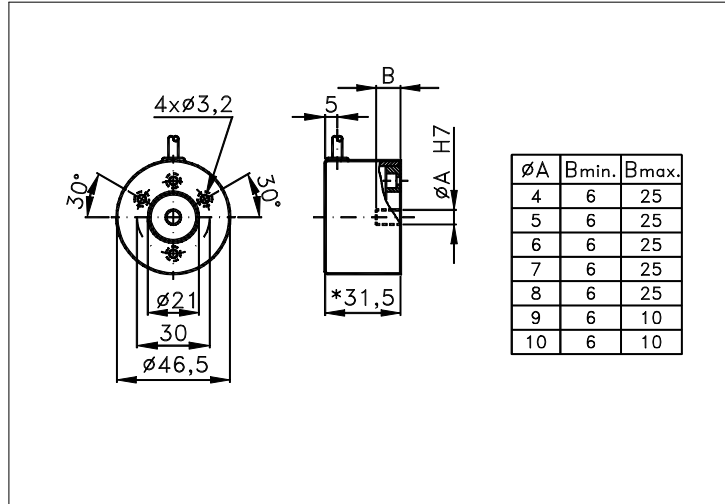


Sized draw standard version: CV R Measures without tolerance according to UNI ISO 2768-mk
Max joint compensation: axial ± 0,15mm, radial ± 0,15mm, angular ± 3°



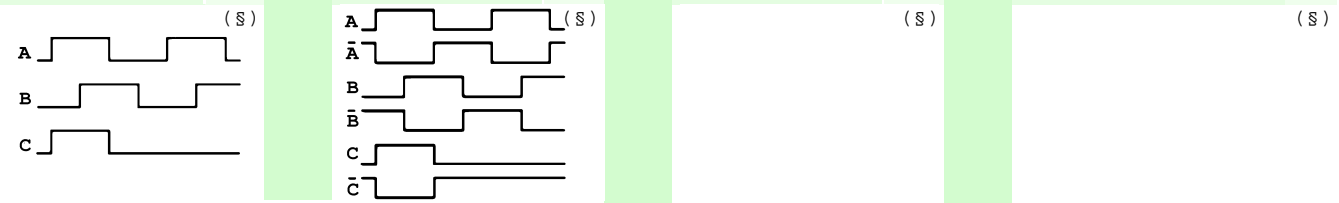
* 42 FOR ELECTR. THAT ARE NOT 'STANDARD', 'K'.

TECHNICAL FEATURES AND POSSIBLE CONFIGURATIONS

- Base.....: ANODIZED ALUMINIUM (*)
 - Cover.....: ANODIZED ALUMINIUM (*)
 - Weight.....: 95 g
 - Shaft.....: ∅ 4÷10 HOLLOW ERGAL (*)
 - Max.rad/axial load.: 0,5 kg
 - IP output side.(°): see 'CONNECTION' of page 2
 - IP shaft side.(°)> std. 53 | sealed - | low torq. -
 - opt. type (page 2)> standard
 - Contin. max RPM(**)> 6000 - -
 - Starting torque gcm> 15 - -
 - Ball bearings life....: 1,5 x 10⁹ revolutions
 - Impact resistance....: 50 G x 11ms
 - Vibration resistance.: 12 G (10 ÷ 2000 Hz)
 - Power supply.....: 5÷30V (see page 2)
 - Operating temperature: 0 ÷ 70 °C (*)
 - Storage temperature...: -30 ÷ 85 °C
 - N° of pulses/rev.....: 1 ÷ 2540
 - Max frequency.....: 60 kHz (100 option)
 - Max consumptions mA...: std 120 line driver 180 (*)
 - Light source.....: LED with >= 100000 h life
- (°) IP according to CEI EN 60529,EN 60529,IEC 529
(*) custom options
(**) intermittent max RPM + 30% of continuous max RPM

ELECTRONICS

CODE	DESCRIPTION	mA	CODE	DESCRIPTION	mA	CODE	DESCRIPTION	mA	CODE	DESCRIPTION	mA
	STANDARD NPN	10	N	DRIVER 26LS31	30						
K	NPN OPEN COLL	10	T	TTL 7404	10						
Q	NPN	70	C	DRIVER 88C30	20						
R	NPN OPEN COLL	70									
P	PNP	70									
U	PNP OPEN COLL	70									
B	PUSH-PULL PRO	70									
H	PUSH-PULL	70									

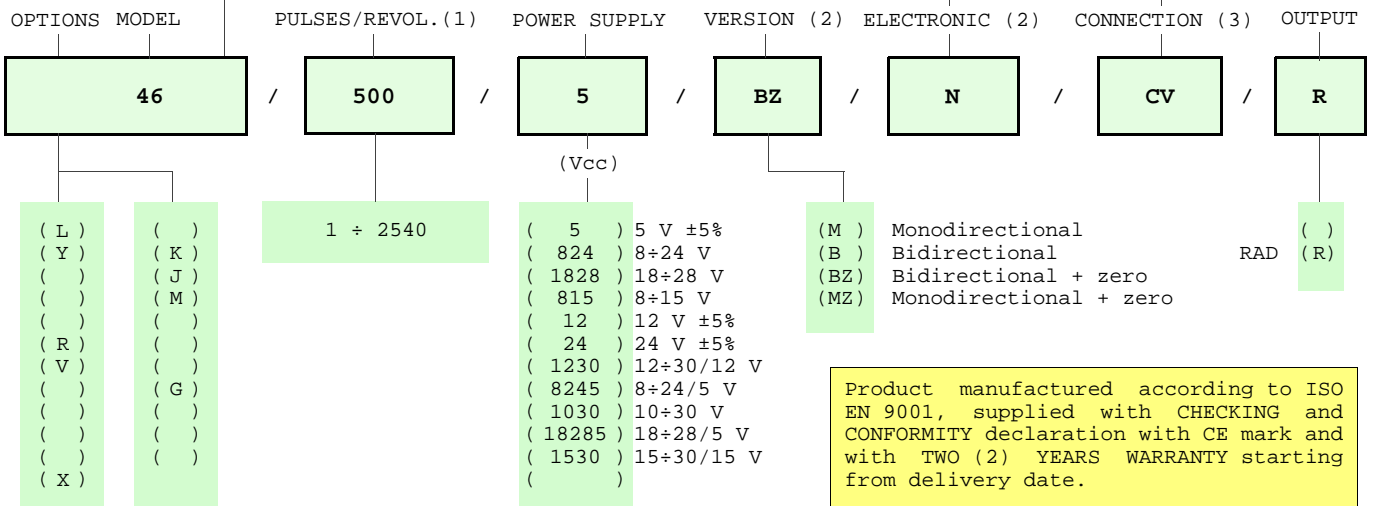


Tolerance between phases ± 25°, symmetry ± 15°
(§) Clock-wise output rotation (see shaft).

POSSIBLE OPTIONS				POSSIBLE CONNECTIONS								
CODE	DESCRIPTION	CODE	DESCRIPTION	CABLE			OUTPUT:					
L	Low temperature	K	Invert. phase A,B,Zero.	CV			RAD					
Y	Unbreakable disk	J	Zero logic combination	CONNECTOR			OUTPUT:					
		M	Impregnated electronic	CABLE END CONNECTOR			OUTPUT:					
R	75 KHz frequency	G	Tropicalization	VM	TM	VL	TL	VD	VH	VH5	VI	
V	100 KHz frequency			VE	VK	TK	VN	VH6	VM5	VM9	VS	RAD
				VD5								
X	Custom options			TERMINAL BOX			OUTPUT:					

ORDERING INFORMATION

POSSIBLE HOLLOW Ø		CABLE	CONNECTOR	CABLE END CONNECTOR
(4) Ø 4	() STANDARD NPN	IP65	()	(VM) 7c normal
(6) Ø 6	(K) NPN OPEN COLL	(CV) 1 m long	()	(TM) 7c sealed
(8) Ø 8	(Q) NPN	()	()	(VL) 10c normal
(952) Ø 9,52	(R) NPN OPEN COLL	()	()	(TL) 10c sealed
(10) Ø 10	(P) PNP	TERMINAL BOX	()	(VD) 9c
(n) Ø n upon requ.	(U) PNP OPEN COLL	IP00	()	(VH) 12c anticlock.
()	(B) PUSH-PULL PRO	()	()	(VH5) 12c clock-wise
()	(H) PUSH-PULL	()	()	(VI) 12c crimped
()	(N) DRIVER 26LS31	()	()	(VE) 5c
()	(T) TTL 7404	()	()	(VK) 17c normal
()	(C) DRIVER 88C30	()	()	(TK) 17c sealed
()	()	()	()	(VN) 12c
()	()	()	()	(VH6) 12c clock-wise
()	(X) CUSTOM OPTION	()	()	(VM5) 26c
()	()	()	()	(VM9) 16c
()	()	()	()	(VS) 12c
()	()	()	()	(VD5) 9c screened



NOTE: FOR 88C30 MAX 15 Vdc

- (1) For further information see PULSES/REVOL. data sheet
 (2) For further information see ELECTRONIC data sheet
 (3) For further information see CONNECTION data sheet

ELCIS company has the right to make any changing without previous notice.

data sheet II030E00 page: 05. 46

1/2



ELCIS s.r.l. Via Rosa Luxembourg 12/14 10093 COLLEGNO (TO) ITALY
 Phone: +39 011 715577/78 a.r.
 MAIL: ELCIS s.r.l. P.O.Box 90 10093 COLLEGNO (TO) ITALY

* <http://www.elcis.com>
 * e-mail: info@elcis.com
 * Fax: +39 011 712613