

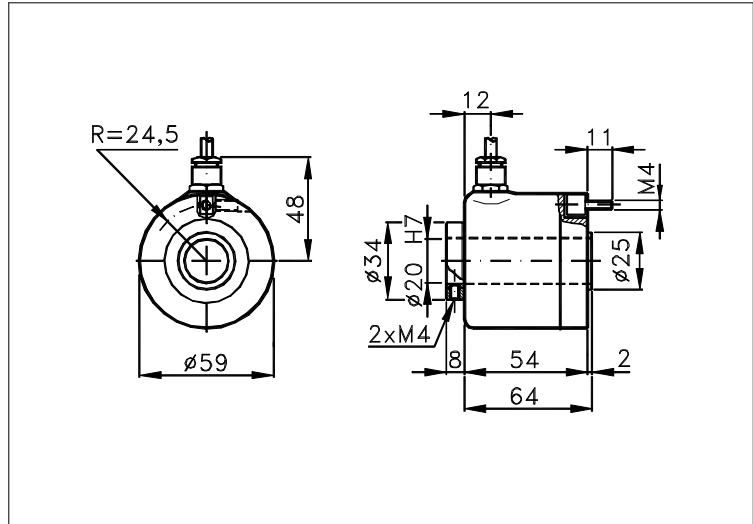
INCREMENTAL  
ENCODER

59MA

ENCODER WITH PASS THROUGH SHAFT AND EQUIPPED WITH INTERNAL  
TANGENTIAL COUPLING. VERY STURDY, IT'S DESIGNED FOR USE ON MOTORS.

Family: I  
page: 05.59MA 1/2  
data sheet . II 127 E0B

Sized draw standard version: CV R Measures without tolerance according to UNI ISO 2768-mk  
Max joint compensation: axial  $\pm 0,2\text{mm}$ , radial  $\pm 0,05\text{mm}$ , angular  $\pm 1^\circ$



### TECHNICAL FEATURES AND POSSIBLE CONFIGURATIONS

- |   |   |
|---|---|
| - Base.....: ALUMINIUM (*)                                      | - Ball bearings life....: $1,5 \times 10^9$ revolutions |
| - Cover.....: ANODIZED ALUMINIUM (*)                            | - Impact resistance....: 50 G x 11ms                    |
| - Weight.....: 340 g  | - Vibration resistance..: 12 G (10 ÷ 2000 Hz)           |
| - Shaft.....: $\varnothing 15 \times 20$ PASS.THR.STAINL.ST (*) | - Power supply.....: 5÷30V (see page 2)                 |
| - Max.rad/axial load.: 8 kg                                     | - Operating temperature: 0 ÷ 70 °C (*)                  |
| - IP output side.(°): see 'CONNECTION' of page 2                | - Storage temperature...: -30 ÷ 85 °C                   |
| - IP shaft side.(°):> std. 64   sealed 65   low torq. 53        | - N° of pulses/rev.....: 1 ÷ 3600                       |
| opt. type (page 2):> standard   Z   B                           | - Max frequency.....: 100 kHz (300 opzione)             |
| - Contin. max RPM(**):> 6000   3000   8000                      | - Max consumptions mA...: std 120 line driver 180 (*)   |
| - Starting torque gcm> 90   120   40                            | - Light source.....: LED with $\geq 100000$ h life      |

(°) IP according to CEI EN 60529, EN 60529, IEC 529

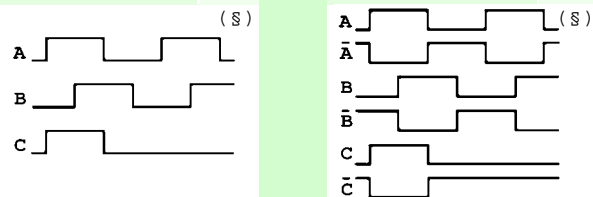
(\*) custom options

(\*\*) intermittent max RPM + 30% of continuous max RPM

### ELECTRONICS

CODE	DESCRIPTION	mA	CODE	DESCRIPTION	mA	CODE	DESCRIPTION	mA	CODE	DESCRIPTION	mA
	STANDARD NPN	10	N	DRIVER 26LS31	30						
K	NPN OPEN COLL	10	T	TTL 7404	10						
Q	NPN	70	C	DRIVER 88C30	20						
R	NPN OPEN COLL	70									
P	PNP	70									
U	PNP OPEN COLL	70									
B	PUSH-PULL PRO	70									
H	PUSH-PULL	70									

(§)



(§)

(§)

Tolerance between phases  $\pm 25^\circ$ , symmetry  $\pm 15^\circ$

(§) Clock-wise output rotation (see shaft).



ELCIS encoder s.r.l. Via Rosa Luxembourg 12/14 10093 COLLEGNO (TO) ITALY  
Phone: +39 011 715577/78 a.r.  
MAIL: ELCIS encoder s.r.l. P.O.Box 43 10093 COLLEGNO (TO) ITALY

\* <http://www.elcis.com>  
\* e-mail: [info@elcis.com](mailto:info@elcis.com)  
\* Fax: +39 011 712613

