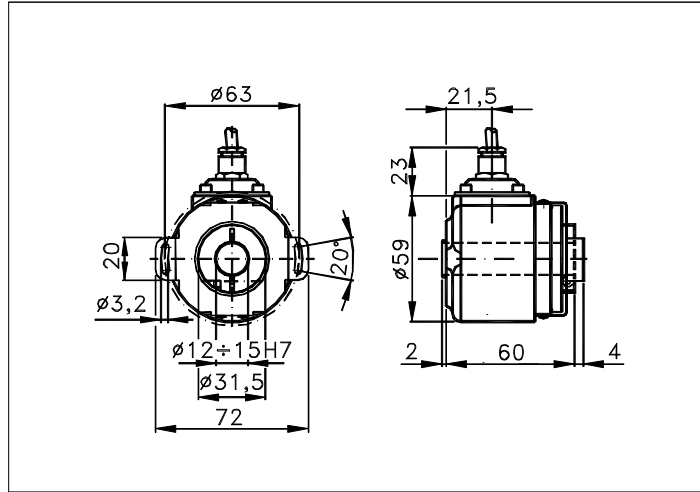


Sized draw standard version: CV R Measures without tolerance according to UNI ISO 2768-mk
Max joint compensation: axial ± 0,2mm, radial ± 0,05mm, angular ± 1°



TECHNICAL FEATURES AND POSSIBLE CONFIGURATIONS

- Base.....: ANODIZED ALUMINIUM (*)
- Cover.....: VALOX 420 (*)
- Weight.....: 320 g
- Shaft.....: Ø 6÷15 PASS.THR.STAINL.ST (*)
- Max.rad/axial load.: 6 kg
- IP output side.(°): see 'CONNECTION' of page 2
- IP shaft side.(°)> std. 64 | sealed 65 | low torq. 53
- opt. type (page 2)> standard | Z | B
- Contin. max RPM(**)> 6000 | 3000 | 8000
- Starting torque gcm> 85 | 110 | 50
- Ball bearings life...: 1,5 x 10⁹ revolutions
- Impact resistance...: 50 G x 11ms
- Vibration resistance...: 12 G (10 ÷ 2000 Hz)
- Power supply.....: 5÷30V (see page 2)
- Operating temperature: 0 ÷ 70 °C (*)
- Storage temperature...: -30 ÷ 85 °C
- N° of pulses/rev.....: 1 ÷ 3600
- Max frequency.....: 100 kHz (300 option)
- Max consumptions mA...: std 120 line driver 180 (*)
- Light source.....: LED with >= 100000 h life

(°) IP according to CEI EN 60529, EN 60529, IEC 529

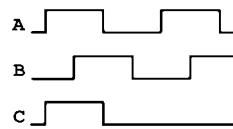
(*) custom options

(**) intermittent max RPM + 30% of continuous max RPM

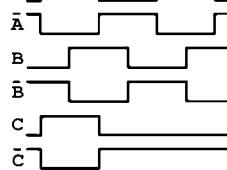
ELECTRONICS

CODE	DESCRIPTION	mA	CODE	DESCRIPTION	mA	CODE	DESCRIPTION	mA	CODE	DESCRIPTION	mA
	STANDARD NPN	10	N	DRIVER 26LS31	30				Y	SINUSOID. 1Vpp	10
K	NPN OPEN COLL	10	T	TTL 7404	10						
Q	NPN	70	C	DRIVER 88C30	20						
R	NPN OPEN COLL	70									
P	PNP	70									
U	PNP OPEN COLL	70									
B	PUSH-PULL PRO	70									
H	PUSH-PULL	70									

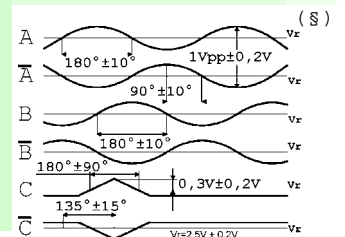
(§) Clock-wise output rotation (see shaft).



(§) Clock-anti rotation (see shaft).



(§) Sinusoidal outputs.



Tolerance between phases ± 25°, symmetry ± 15°

(§) Clock-wise output rotation (see shaft).



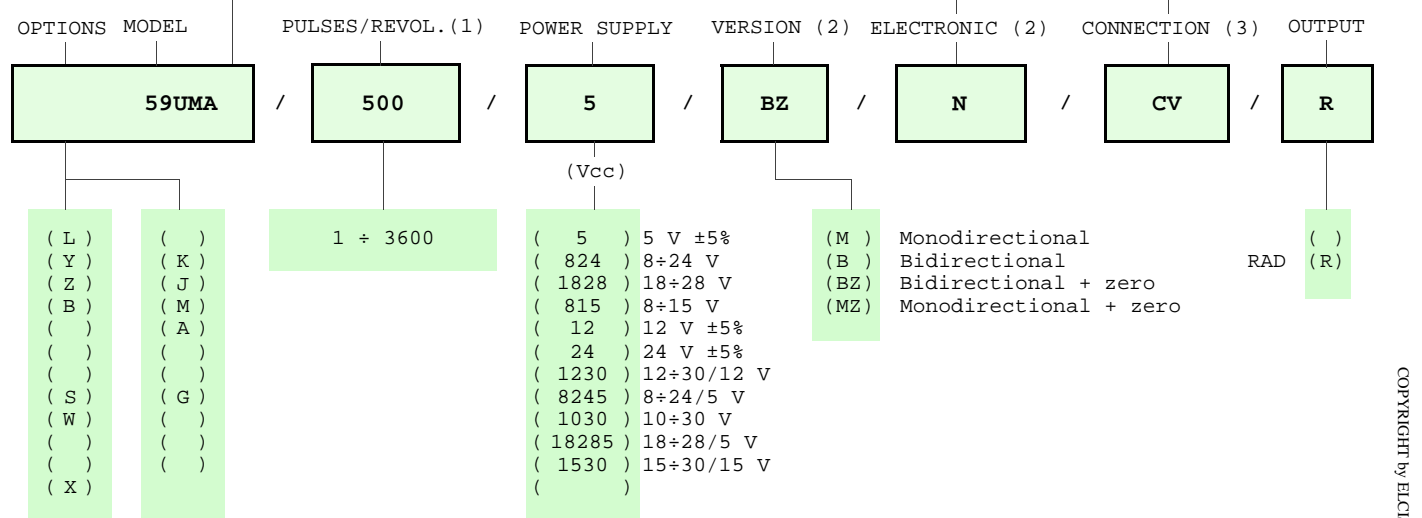
ELCIS s.r.l. Via Rosa Luxembourg 12/14 10093 COLLEGNO (TO) ITALY
Phone: +39 011 715577/78 a.r.
MAIL: ELCIS s.r.l. P.O.Box 43 10093 COLLEGNO (TO) ITALY

* <http://www.elcis.com>
* e-mail: info@elcis.com
* Fax: +39 011 712613

POSSIBLE OPTIONS				POSSIBLE CONNECTIONS									
CODE	DESCRIPTION	CODE	DESCRIPTION										
L	Low temperature	K	Invert. phase A,B,Zero.	CABLE				OUTPUT:					
Y	Unbreakable disk	J	Zero logic combination	CV				RAD					
Z	Sealed ball bearing	M	Impregnated electronic	CONNECTOR				OUTPUT:					
B	Low torque ball bear.	A	High temperature	CH	CH5			RAD					
				CH6				RAD					
S	160 KHz frequency	G	Tropicalization	CABLE END CONNECTOR				OUTPUT:					
W	300 KHz frequency			VM	TM	VL	TL	VD	VH	VH5	VI		RAD
				VE	VK	TK	VN	VH6	VM5	VM9	VS		RAD
X	Custom options			VD5									
				TERMINAL BOX				OUTPUT:					

ORDERING INFORMATION


POSSIBLE HOLLOW Ø	STANDARD NPN	CABLE	CONNECTOR	CABLE END CONNECTOR
(6) Ø 6	(K) NPN OPEN COLL	IP65		IP65 encoder output
(8) Ø 8	(Q) NPN	(CV) 1 m long	()	(VM) 7c normal
(10) Ø 10	(R) NPN OPEN COLL	()	()	(TM) 7c sealed
(12) Ø 12	(P) PNP	()	()	(VL) 10c normal
(15) Ø 15	(U) PNP OPEN COLL	()	()	(TL) 10c sealed
(n) Ø n upon requ.	(B) PUSH-PULL PRO		()	(VD) 9c
()	(H) PUSH-PULL	TERMINAL BOX	(CH) 12c ccw	(VH) 12c anticlock.
()	(N) DRIVER 26LS31	IP00	(CH5) 12c cw	(VH5) 12c clock-wise
()	(T) TTL 7404		()	(VI) 12c crimped
()	(C) DRIVER 88C30		()	(VE) 5c
()	()		()	(VK) 17c normal
()	()		()	(TK) 17c sealed
()	(Y) SINUSOID.1Vpp		()	(VN) 12c
()	(X) CUSTOM OPTION		(CH6) 12c cw	(VH6) 12c clock-wise
()			()	(VM5) 26c
()				(VM9) 16c
()				(VS) 12c
()				(VD5) 9c screened



NOTE: FOR 88C30 MAX 15 Vdc

Product manufactured according to UNI EN ISO 9001:2000, supplied with CHECKING and CONFORMITY declaration with CE mark and with TWO (2) YEARS WARRANTY starting from delivery date.

- (1) For further information see PULSES/REVOL. data sheet
- (2) For further information see ELECTRONIC data sheet
- (3) For further information see CONNECTION data sheet

	ELCIS s.r.l. Via Rosa Luxembourg 12/14 10093 COLLEGNO (TO) ITALY Phone: +39 011 715577/78 a.r. MAIL: ELCIS s.r.l. P.O.Box 43 10093 COLLEGNO (TO) ITALY	* http://www.elcis.com * e-mail: info@elcis.com * Fax: +39 011 712613
--	--	---

COPYRIGHT by ELCIS - Collegno (TO)