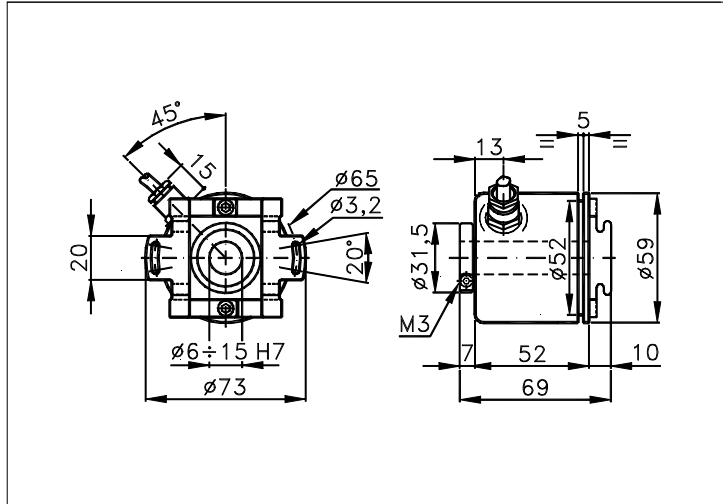


Sized draw standard version: CV R Measures without tolerance according to UNI ISO 2768-mk
 Max joint compensation: axial ± 0,2mm, radial ± 0,05mm, angular ± 1°

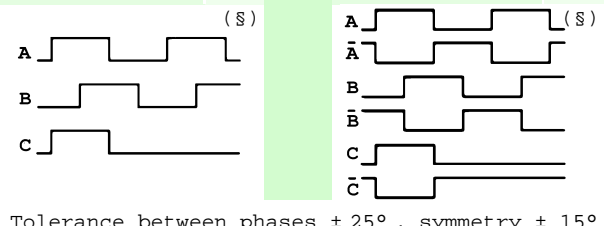


TECHNICAL FEATURES AND POSSIBLE CONFIGURATIONS

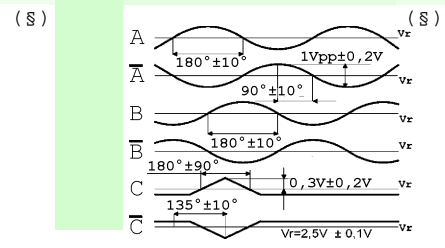
- Base.....: ANODIZED ALUMINIUM (*)
 - Cover.....: ANODIZED ALUMINIUM (*)
 - Weight.....: 320 g
 - Shaft.....: Ø 6÷15 PASS.THR.STAINL.ST (*)
 - Max.rad/axial load.: 6 kg
 - IP output side.(°): see 'CONNECTION' of page 2
 - IP shaft side.(°)> std. 64 | sealed 65 | low torq. 53
 - opt. type (page 2)> standard | Z | B
 - Contin. max RPM(**)> 6000 | 3000 | 8000
 - Starting torque gcm> 85 | 110 | 50
 - Ball bearings life...: 1,5 x 10⁹ revolutions
 - Impact resistance....: 50 G x 11ms
 - Vibration resistance.: 12 G (10 ÷ 2000 Hz)
 - Power supply.....: 5÷30V (see page 2)
 - Operating temperature: 0 ÷ 70 °C (*)
 - Storage temperature...: -30 ÷ 85 °C
 - N° of pulses/rev.....: 1 ÷ 3600
 - Max frequency.....: 100 kHz (300 option)
 - Max consumptions mA...: std 120 line driver 180 (*)
 - Light source.....: LED with >= 100000 h life
- (°) IP according to CEI EN 60529, EN 60529, IEC 529
 (*) custom options
 (**) intermittent max RPM + 30% of continuous max RPM

ELECTRONICS

CODE	DESCRIPTION	mA	CODE	DESCRIPTION	mA	CODE	DESCRIPTION	mA	CODE	DESCRIPTION	mA
	STANDARD NPN	10	N	DRIVER 26LS31	30				Y	SINUSOID. 1Vpp	10
K	NPN OPEN COLL	10	T	TTL 7404	10						
Q	NPN	70	C	DRIVER 88C30	20						
R	NPN OPEN COLL	70									
P	PNP	70									
U	PNP OPEN COLL	70									
B	PUSH-PULL PRO	70									
H	PUSH-PULL	70									



Tolerance between phases ± 25°, symmetry ± 15°
 (§) Clock-wise output rotation (see shaft).



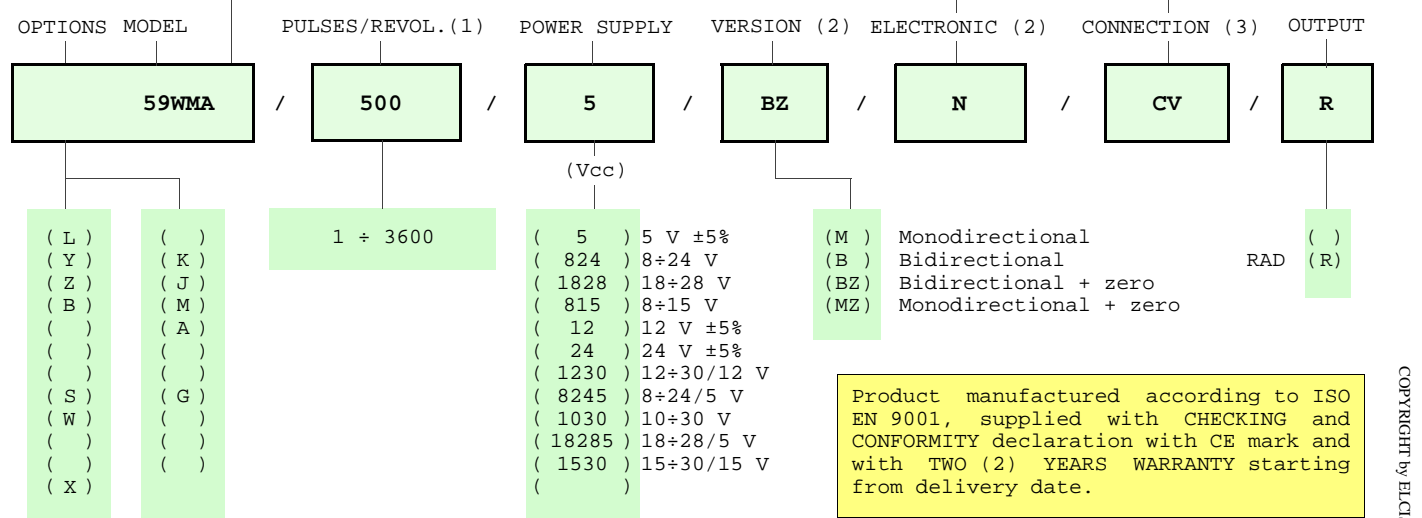
ELCIS s.r.l. Via Rosa Luxembourg 12/14 10093 COLLEGNO (TO) ITALY
 Phone: +39 011 715577/78 a.r.
 MAIL: ELCIS s.r.l. P.O.Box 90 10093 COLLEGNO (TO) ITALY

* <http://www.elcis.com>
 * e-mail: info@elcis.com
 * Fax: +39 011 712613

POSSIBLE OPTIONS				POSSIBLE CONNECTIONS								
CODE	DESCRIPTION	CODE	DESCRIPTION	CABLE			OUTPUT:					
L	Low temperature	K	Invert. phase A,B,Zero.	CV			RAD					
Y	Unbreakable disk	J	Zero logic combination	CONNECTOR			OUTPUT:					
Z	Sealed ball bearing	M	Impregnated electronic	CH	CH5							
B	Low torque ball bear.	A	High temperature	CH6			RAD					
S	160 KHz frequency	G	Tropicalization	CABLE END CONNECTOR			OUTPUT:					
W	300 KHz frequency			VM	TM	VL	TL	VD	VH	VH5	VI	
X	Custom options			VE	VK	TK	VN	VH6	VM5	VM9	VS	
				VD5								RAD
				TERMINAL BOX			OUTPUT:					

ORDERING INFORMATION

POSSIBLE HOLLOW Ø		CABLE	CONNECTOR	CABLE END CONNECTOR
(6) Ø 6	() STANDARD NPN	IP65		IP65 encoder output
(8) Ø 8	(K) NPN OPEN COLL	(CV) 1 m long	()	(VM) 7c normal
(10) Ø 10	(Q) NPN	()	()	(TM) 7c sealed
(12) Ø 12	(R) NPN OPEN COLL	()	()	(VL) 10c normal
(15) Ø 15	(P) PNP	()	()	(TL) 10c sealed
(n) Ø n upon requ.	(U) PNP OPEN COLL	TERMINAL BOX	()	(VD) 9c
()	(B) PUSH-PULL PRO	IP00	(CH) 12c ccw	(VH) 12c anticlock.
()	(H) PUSH-PULL		(CH5) 12c cw	(VH5) 12c clock-wise
()	(N) DRIVER 26LS31		()	(VI) 12c crimped
()	(T) TTL 7404		()	(VE) 5c
()	(C) DRIVER 88C30		()	(VK) 17c normal
()	()		()	(TK) 17c sealed
()	()		()	(VN) 12c
()	(Y) SINUSOID.1Vpp		(CH6) 12c cw	(VH6) 12c clock-wise
()	(X) CUSTOM OPTION		()	(VM5) 26c
()				(VM9) 16c
()				(VS) 12c
()				(VD5) 9c screened




Product manufactured according to ISO EN 9001, supplied with CHECKING and CONFORMITY declaration with CE mark and with TWO (2) YEARS WARRANTY starting from delivery date.

NOTE: FOR 88C30 MAX 15 Vdc

- (1) For further information see PULSES/REVOL. data sheet
- (2) For further information see ELECTRONIC data sheet
- (3) For further information see CONNECTION data sheet

ELCIS company has the right to make any changing without previous notice. data sheet II082 E00 page: 05. 59WMA 1/2

	ELCIS s.r.l. Via Rosa Luxembourg 12/14 10093 COLLEGNO (TO) ITALY	* http://www.elcis.com
	Phone: +39 011 715577/78 a.r.	* e-mail: info@elcis.com
	MAIL: ELCIS s.r.l. P.O.Box 90 10093 COLLEGNO (TO) ITALY	* Fax: +39 011 712613

COPYRIGHT by ELCIS - Collegno (TO)