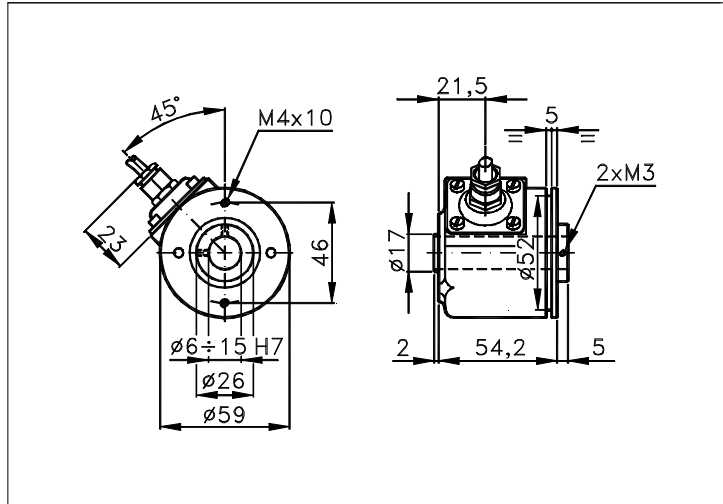


Sized draw standard version: CV R Measures without tolerance according to UNI ISO 2768-mk
Max joint compensation: axial ± 0,15mm, radial ± 0,05mm, angular ± 1°

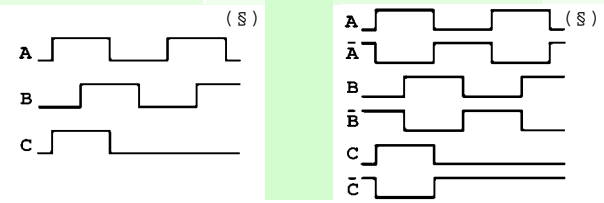


TECHNICAL FEATURES AND POSSIBLE CONFIGURATIONS

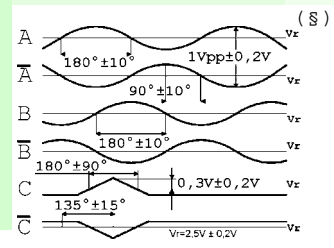
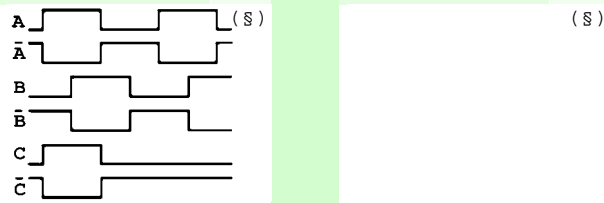
- Base.....: ANODIZED ALUMINIUM (*)
 - Cover.....: VALOX 420 (*)
 - Weight.....: 300 g
 - Shaft.....: Ø 5+15 PASS.THR.STAINL.ST. (*)
 - Max.rad/axial load.: 6 kg
 - IP output side.(°): see 'CONNECTION' of page 2
 - IP shaft side.(°):> std. 64 | sealed 65 | low torq. 53
opt. type (page 2):> standard | Z | B
 - Contin. max RPM(**):> 6000 | 3000 | 8000
 - Starting torque gcm> 85 | 110 | 50
 - MTTFd (°°).....: HIGH
 - Impact resistance.....: 50 G x 11ms
 - Vibration resistance.: 12 G (10 ÷ 2000 Hz)
 - Power supply.....: 5÷30V (see page 2)
 - Operating temperature: 0 ÷ 70 °C (*)
 - Storage temperature...: -30 ÷ 85 °C
 - N° of pulses/rev.....: 1 ÷ 50000
 - Max frequency.....: 100 kHz (300 option)
 - Max consumptions mA...: std 120 line driver 180 (*)
- (°) IP according to CEI EN 60529, EN 60529, IEC 529
(*) custom options
(°°) MTTFd according to EN ISO 13849-1
(**) intermittent max RPM + 30% of continuous max RPM

ELECTRONICS

CODE	DESCRIPTION	mA	CODE	DESCRIPTION	mA	CODE	DESCRIPTION	mA	CODE	DESCRIPTION	mA
	STANDARD NPN	10	N	DRIVER 26LS31	30				Y	SINUSOID. 1Vpp	10
K	NPN OPEN COLL	10	T	TTL 7404	10						
Q	NPN	70	C	DRIVER 88C30	20						
R	NPN OPEN COLL	70									
P	PNP	70									
U	PNP OPEN COLL	70									
B	PUSH-PULL PRO	70									
H	PUSH-PULL	70									



Tolerance between phases ± 25°, symmetry ± 15°
(§) Clock-wise output rotation (see shaft).

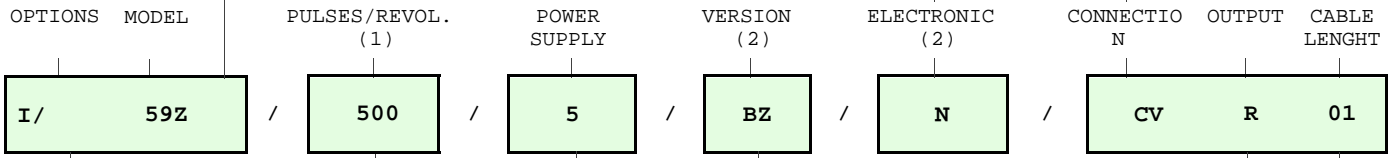


POSSIBLE OPTIONS		POSSIBLE CONNECTIONS	
CODE	DESCRIPTION	CODE	DESCRIPTION
L	Low temperature	J	Zero logic combination
Y	Unbreakable disk	M	Impregnated electronic
Z	Sealed ball bearing	A	High temperature
B	Low torque ball bear.	K	Invert. phase A,B,Zero.
S	160 KHz frequency		
W	300 KHz frequency		
X	Custom options		
G	Tropicalization		

CABLE		OUTPUT:						
CV		RAD						
CONNECTOR		OUTPUT:						
CH	CH5	RAD						
CH6								
CABLE END CONNECTOR		OUTPUT:						
VM	TM	VL	TL	VD	VH	VH5	VI	
VE	VK	TK	VN	VH6	VM5	VM9	VS	RAD
VD5								
TERMINAL BOX		OUTPUT:						

ORDERING INFORMATION

POSSIBLE HOLLOW Ø	STANDARD NPN	CABLE	CONNECTOR	CABLE END CONNECTOR
(6) Ø 6	(K) NPN OPEN COLL	IP65		IP65 encoder output
(8) Ø 8	(Q) NPN	(CV) 1 m long		(VM) 7c normal
(10) Ø 10	(R) NPN OPEN COLL	()		(TM) 7c sealed
(12) Ø 12	(P) PNP	()		(VL) 10c normal
(15) Ø 15	(U) PNP OPEN COLL	()		(TL) 10c sealed
(n) Ø n upon requ.	(B) PUSH-PULL PRO			(VD) 9c
()	(H) PUSH-PULL	TERMINAL BOX	(CH) 12c ccw	(VH) 12c anticlock.
()	(N) DRIVER 26LS31	IP00	(CH5) 12c cw	(VH5) 12c clock-wise
()	(T) TTL 7404		()	(VI) 12c crimped
()	(C) DRIVER 88C30		()	(VE) 5c
()	()		()	(VK) 17c normal
()	()		()	(TK) 17c sealed
()	(Y) SINUSOID.1Vpp		()	(VN) 12c
()	(X) CUSTOM OPTION		(CH6) 12c cw	(VH6) 12c clock-wise
()			()	(VM5) 26c
()			()	(VM9) 16c
()			()	(VS) 12c
()			()	(VD5) 9c screened
()			()	()



- (L)
- (Y)
- (Z)
- (B)
- ()
- ()
- ()
- (S)
- (W)
- ()
- ()
- (X)

1 ÷ 50000

- (Vcc)
- (5) 5 V ±5%
 - (824) 8÷24 V
 - (1828) 18÷28 V
 - (815) 8÷15 V
 - (12) 12 V ±5%
 - (24) 24 V ±5%
 - (1230) 12÷30/12 V
 - (8245) 8÷24/5 V
 - (1030) 10÷30 V
 - (18285) 18÷28/5 V
 - (1530) 15÷30/15 V
 - ()

- (M) Monodirectional
- (B) Bidirectional
- (BZ) Bidirectional + zero
- (MZ) Monodirectional + zero

RAD (R)

1 m long (01)
n m long (n)



NOTE: FOR 88C30 MAX 15 Vdc

Product manufactured according to UNI EN ISO 9001:2008, supplied with CHECKING and CONFORMITY declaration with CE mark and with TWO (2) YEARS WARRANTY starting from delivery date.

(1) For further information see PULSES/REVOL. data sheet
 (2) For further information see ELECTRONIC data sheet
 (3) For further information see CONNECTION data sheet

	ELCIS encoder s.r.l. Via Rosa Luxembourg 12/14 10093 COLLEGNO (TO) ITALY	* http://www.elcis.com
	Phone: +39 011 715577/78 a.r.	* e-mail: info@elcis.com
	MAIL: ELCIS encoder s.r.l. P.O.Box 70 10093 COLLEGNO (TO) ITALY	* Fax: +39 011 712613

COPYRIGHT by ELCIS - Collegno (TO)