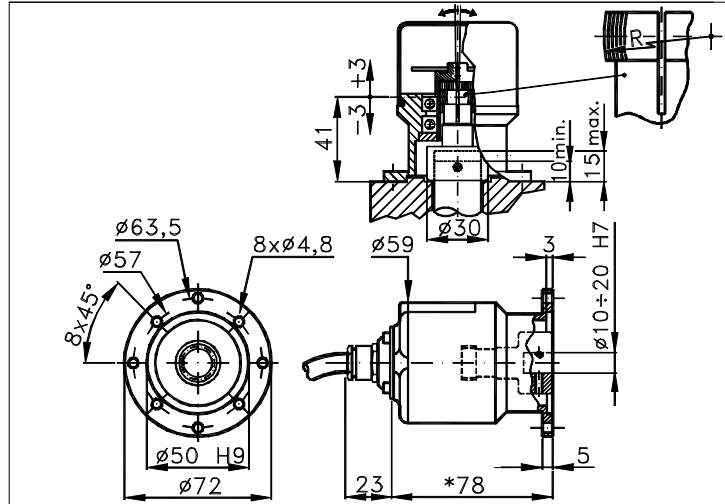


Sized draw standard version: CV Measures without tolerance according to UNI ISO 2768-mk  
Max joint compensation: axial ± 3mm, radial ± 0,05mm, angular ± 2°



\* 94 FOR 'L', 'M', 'D' ELECTRONICS.

TECHNICAL FEATURES AND POSSIBLE CONFIGURATIONS

- Base.....: ANODIZED ALUMINIUM (\*)
- Cover.....: VALOX 420 (\*)
- Weight.....: 470 g
- Shaft.....: Ø 10±20 HOLLOW STAINL.ST (\*)
- Max.rad/axial load.: 8 kg
- IP output side.(°): see 'CONNECTION' of page 2
- IP shaft side.(°):> std. 64 | sealed 66 | low torq. -  
opt. type (page 2):> standard | Z
- Contin. max RPM(\*\*)> 6000 | 3000 | -
- Starting torque gcm> 25 | 40 | -
- Ball bearings life...: 1,5 x 10<sup>9</sup> revolutions
- Impact resistance...: 50 G x 11ms
- Vibration resistance...: 12 G (10 ÷ 2000 Hz)
- Power supply.....: 5÷30V (see page 2)
- Operating temperature: 0 ÷ 70 °C (\*)
- Storage temperature...: -30 ÷ 85 °C
- N° of pulses/rev.....: 1 ÷ 25000
- Max frequency.....: 100 kHz (300 option)
- Max consumptions mA...: std 120 line driver 180 (\*)
- Light source.....: LED with >= 100000 h life

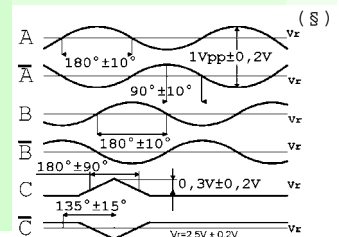
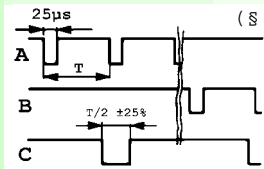
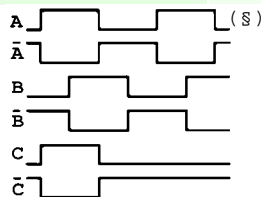
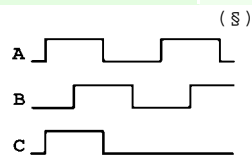
(°) IP according to CEI EN 60529, EN 60529, IEC 529

(\*) custom options

(\*\*) intermittent max RPM + 30% of continuous max RPM

ELECTRONICS

CODE	DESCRIPTION	mA	CODE	DESCRIPTION	mA	CODE	DESCRIPTION	mA	CODE	DESCRIPTION	mA
	STANDARD NPN	10	N	DRIVER 26LS31	30	D	DISCRIMINAT.	70	Y	SINUSOID. 1Vpp	10
K	NPN OPEN COLL	10	T	TTL 7404	10						
Q	NPN	70	C	DRIVER 88C30	20						
R	NPN OPEN COLL	70	L	2x PUSH-P.PRO	70						
P	PNP	70	M	2x PUSH-PULL	70						
U	PNP OPEN COLL	70									
B	PUSH-PULL PRO	70									
H	PUSH-PULL	70									



Tolerance between phases ± 25°, symmetry ± 15°

(§) Clock-wise output rotation (see shaft).



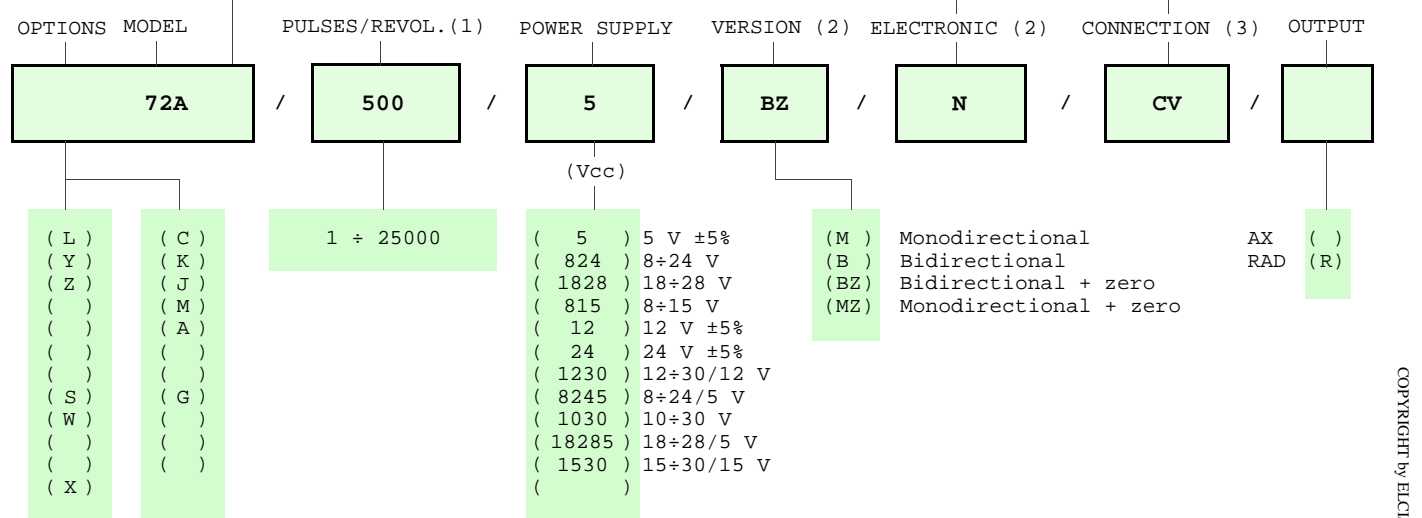
ELCIS s.r.l. Via Rosa Luxembourg 12/14 10093 COLLEGNO (TO) ITALY  
Phone: +39 011 715577/78 a.r.  
MAIL: ELCIS s.r.l. P.O.Box 43 10093 COLLEGNO (TO) ITALY

\* <http://www.elcis.com>  
\* e-mail: [info@elcis.com](mailto:info@elcis.com)  
\* Fax: +39 011 712613

POSSIBLE OPTIONS				POSSIBLE CONNECTIONS								
CODE	DESCRIPTION	CODE	DESCRIPTION	CABLE				OUTPUT:				
L	Low temperature	C	Low consumption	CV				AX RAD				
Y	Unbreakable disk	K	Invert. phase A,B,Zero.	CONNECTOR				OUTPUT:				
Z	Sealed ball bearing	J	Zero logic combination	CM	SM	CL	SL	CD	CH	CH5	CI	AX RAD
		M	Impregnated electronic	CE			C4	CH6				
		A	High temperature	CABLE END CONNECTOR				OUTPUT:				
S	160 KHz frequency	G	Tropicalization	VM	TM	VL	TL	VD	VH	VH5	VI	AX RAD
W	300 KHz frequency			VE	VK	TK	VN	VH6	VM5	VM9	VS	
X	Custom options			VD5								
				TERMINAL BOX				OUTPUT:				

### ORDERING INFORMATION


POSSIBLE HOLLOW Ø	STANDARD NPN	CABLE	CONNECTOR	CABLE END CONNECTOR
( 10 ) Ø 10	( K ) NPN OPEN COLL	IP65	( CM ) 7c norm. IP65	( VM ) 7c normal
( 12 ) Ø 12	( Q ) NPN	( CV ) 1 m long	( SM ) 7c sealed IP66	( TM ) 7c sealed
( 14 ) Ø 14	( R ) NPN OPEN COLL	( )	( CL ) 10c norm. IP65	( VL ) 10c normal
( 15 ) Ø 15	( P ) PNP	( )	( SL ) 10c sealed IP66	( TL ) 10c sealed
( 20 ) Ø 20	( U ) PNP OPEN COLL	TERMINAL BOX	( CD ) 9c sub D IP63	( VD ) 9c
( n ) Ø n upon requ.	( B ) PUSH-PULL PRO	IP00	( CH ) 12c ccw IP67	( VH ) 12c anticlock.
( )	( H ) PUSH-PULL	( )	( CH5 ) 12c cw IP67	( VH5 ) 12c clock-wise
( )	( N ) DRIVER 26LS31	( )	( CI ) 12c crimp. IP64	( VI ) 12c crimped
( )	( T ) TTL 7404	( )	( CE ) 5c miniat IP64	( VE ) 5c
( )	( C ) DRIVER 88C30	( )	( )	( VK ) 17c normal
( )	( L ) 2x PUSH-P.PRO	( )	( C4 ) 4c screw IP65	( TK ) 17c sealed
( )	( M ) 2x PUSH-PULL	( )	( CH6 ) 12c cw IP67	( VN ) 12c
( )	( D ) DISCRIMINAT.	( )	( )	( VH6 ) 12c clock-wise
( )	( Y ) SINUSOID.1Vpp	( )	( )	( VM5 ) 26c
( )	( X ) CUSTOM OPTION	( )	( )	( VM9 ) 16c
( )	( )	( )	( )	( VS ) 12c
( )	( )	( )	( )	( VD5 ) 9c screened



NOTE: FOR 88C30 MAX 15 Vdc

Product manufactured according to UNI EN ISO 9001:2000, supplied with CHECKING and CONFORMITY declaration with CE mark and with TWO (2) YEARS WARRANTY starting from delivery date.

- (1) For further information see PULSES/REVOL. data sheet
- (2) For further information see ELECTRONIC data sheet
- (3) For further information see CONNECTION data sheet

	<p>ELCIS s.r.l. Via Rosa Luxembourg 12/14 10093 COLLEGNO (TO) ITALY          Phone: +39 011 715577/78 a.r.          MAIL: ELCIS s.r.l. P.O.Box 43 10093 COLLEGNO (TO) ITALY</p>	<p>* <a href="http://www.elcis.com">http://www.elcis.com</a>          * e-mail: <a href="mailto:info@elcis.com">info@elcis.com</a>          * Fax: +39 011 712613</p>
--	---	---

COPYRIGHT by ELCIS - Collegno (TO)