

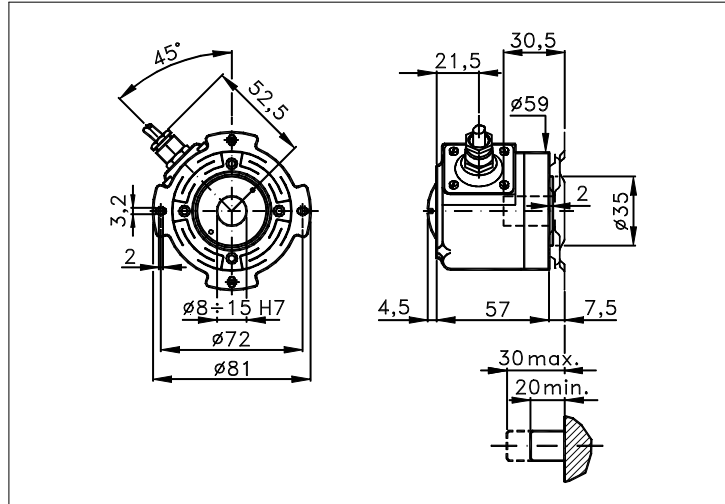
INCREMENTAL
ENCODER

81CM

HOLLOW SHAFT ENCODER WITH REAR PATENTED SELF-CENTERING CLAMPING
DEVICE, WHICH ALLOWS, DURING INSTALLATION, THE MECHANICAL SEARCH
OF ZERO. WITH INCORPORATED SPRING COUPLING.

Incremental
page: 05. 81CM 1/2
data sheet . II 097 E0A

Sized draw standard version: CV R Measures without tolerance according to UNI ISO 2768-mk
Max joint compensation: axial $\pm 0,2\text{mm}$, radial $\pm 0,05\text{mm}$, angular $\pm 1^\circ$



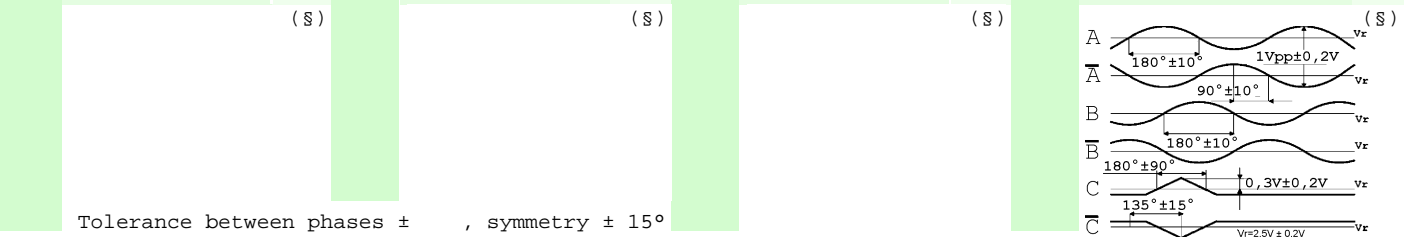
TECHNICAL FEATURES AND POSSIBLE CONFIGURATIONS

- Base.....: ALUMINIUM (*)
 - Cover.....: VALOX 420 (*)
 - Weight.....: 300 g
 - Shaft.....: $\varnothing 8\pm 15$ HOLLOW STAINL.STEEL (*)
 - Max.rad/axial load.: 6 kg
 - IP output side.(°): see 'CONNECTION' of page 2
 - IP shaft side.(°)> std. 64 | sealed 65 | low torq. 53
opt. type (page 2)> standard | Z | B
 - Contin. max RPM(**)> 6000 | 3000 | 8000
 - Starting torque gcm> 90 | 120 | 60
 - Ball bearings life....: $1,5 \times 10^9$ revolutions
 - Impact resistance....: 50 G x 11ms
 - Vibration resistance.: 12 G (10 ÷ 2000 Hz)
 - Power supply.....: 5÷30V (see page 2)
 - Operating temperature: 0 ÷ 70 °C (*)
 - Storage temperature...: -30 ÷ 85 °C
 - N° of pulses/rev.....: 1 ÷ 10000
 - Max frequency.....: 100 kHz (300 option)
 - Max consumptions mA.: std 120 line driver 180 (*)
 - Light source.....: LED with ≥ 100000 h life
- (°) IP according to CEI EN 60529, EN 60529, IEC 529
(*) custom options
(**) intermittent max RPM + 30% of continuous max RPM

ELECTRONICS

CODE	DESCRIPTION	mA	CODE	DESCRIPTION	mA	CODE	DESCRIPTION	mA	CODE	DESCRIPTION	mA
	STANDARD NPN	10	N	DRIVER 26LS31	30				Y	SINUSOID. 1Vpp	10
K	NPN OPEN COLL	10	T	TTL 7404	10						
Q	NPN	70	C	DRIVER 88C30	20						
R	NPN OPEN COLL	70									
P	PNP	70									
U	PNP OPEN COLL	70									
B	PUSH-PULL PRO	70									
H	PUSH-PULL	70									

(§) Tolerance between phases \pm , symmetry $\pm 15^\circ$



(§) Clock-wise output rotation (see shaft).



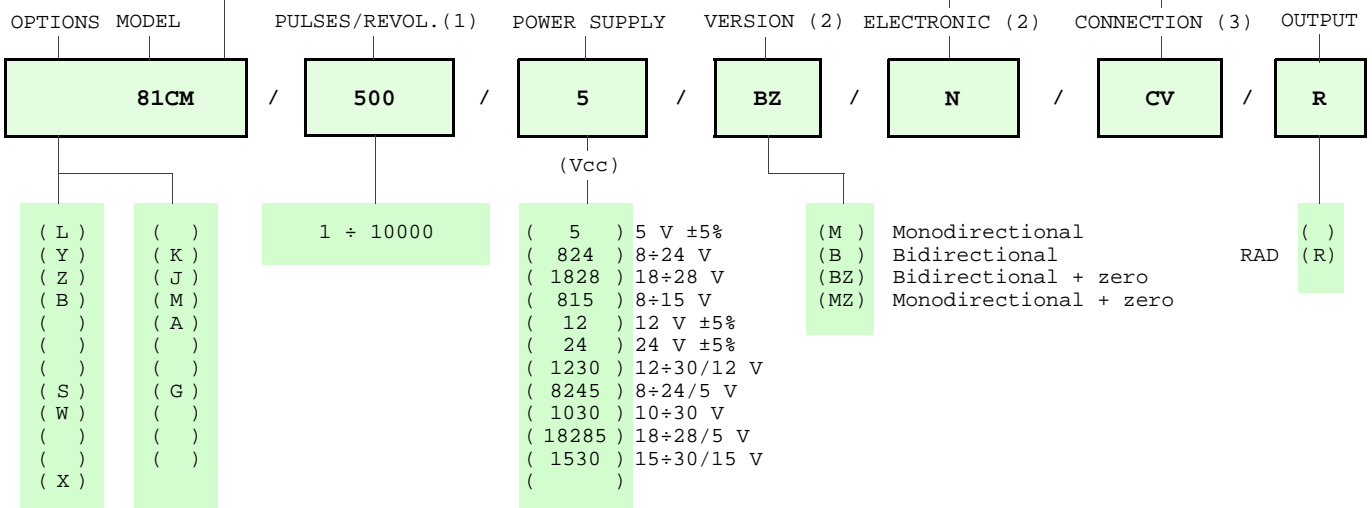
ELCIS s.r.l. Via Rosa Luxembourg 12/14 10093 COLLEGNO (TO) ITALY
Phone: +39 011 715577/78 a.r.
MAIL: ELCIS s.r.l. P.O.Box 90 10093 COLLEGNO (TO) ITALY

* <http://www.elcis.com>
* e-mail: info@elcis.com
* Fax: +39 011 712613

POSSIBLE OPTIONS				POSSIBLE CONNECTIONS			
CODE	DESCRIPTION	CODE	DESCRIPTION	CABLE		OUTPUT:	
L	Low temperature	K	Invert. phase A,B,Zero.	CV			RAD
Y	Unbreakable disk	J	Zero logic combination	CONNECTOR		OUTPUT:	
Z	Sealed ball bearing	M	Impregnated electronic	CABLE END CONNECTOR		OUTPUT:	
B	Low torque ball bear.	A	High temperature	VM	TM	VL	TL
S	160 KHz frequency	G	Tropicalization	VD	VH	VH5	VI
W	300 KHz frequency			VE	VK	TK	VN
X	Custom options			VM5	VM9	VS	
				VD5			RAD
				TERMINAL BOX		OUTPUT:	

ORDERING INFORMATION


POSSIBLE HOLLOW Ø		CABLE	CONNECTOR	CABLE END CONNECTOR
()	() STANDARD NPN	IP65		IP65 encoder output
(8) Ø 8	(K) NPN OPEN COLL	(CV) 1 m long	()	(VM) 7c normal
(10) Ø 10	(Q) NPN	()	()	(TM) 7c sealed
(12) Ø 12	(R) NPN OPEN COLL	()	()	(VL) 10c normal
(15) Ø 15	(P) PNP	()	()	(TL) 10c sealed
(n) Ø n upon requ.	(U) PNP OPEN COLL	TERMINAL BOX	()	(VD) 9c
()	(B) PUSH-PULL PRO	IP00	()	(VH) 12c anticlock.
()	(H) PUSH-PULL	()	()	(VH5) 12c clock-wise
()	(N) DRIVER 26LS31	()	()	(VI) 12c crimped
()	(T) TTL 7404	()	()	(VE) 5c
()	(C) DRIVER 88C30	()	()	(VK) 17c normal
()	()	()	()	(TK) 17c sealed
()	()	()	()	(VN) 12c
()	(Y) SINUSOID.1Vpp	()	()	(VH6) 12c clock-wise
()	(X) CUSTOM OPTION	()	()	(VM5) 26c
()	()	()	()	(VM9) 16c
()	()	()	()	(VS) 12c
()	()	()	()	(VD5) 9c screened



NOTE: FOR 88C30 MAX 15 Vdc

Product manufactured according to UNI EN ISO 9001:2000 supplied with CHECKING and CONFORMITY declaration with CE mark and with TWO (2) YEARS WARRANTY starting from delivery date.

- (1) For further information see PULSES/REVOL. data sheet
- (2) For further information see ELECTRONIC data sheet
- (3) For further information see CONNECTION data sheet

	ELCIS s.r.l. Via Rosa Luxembourg 12/14 10093 COLLEGNO (TO) ITALY	* http://www.elcis.com
	Phone: +39 011 715577/78 a.r.	* e-mail: info@elcis.com
	MAIL: ELCIS s.r.l. P.O.Box 90 10093 COLLEGNO (TO) ITALY	* Fax: +39 011 712613

COPYRIGHT by ELCIS - Collegno (TO)