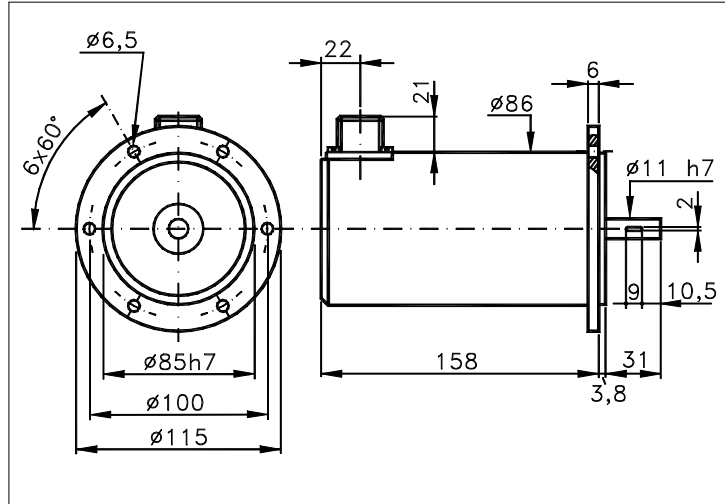


Sized draw standard version: CK R Measures without tolerance according to UNI ISO 2768-mk

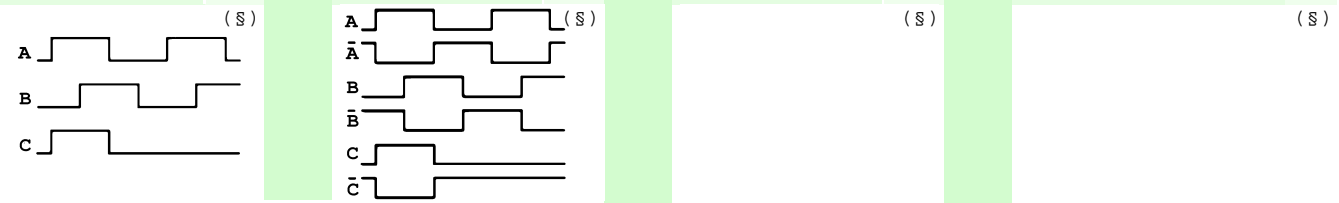


TECHNICAL FEATURES AND POSSIBLE CONFIGURATIONS

- Base.....: ANODIZED ALUMINIUM (*)
 - Cover.....: ANODIZED ALUMINIUM (*)
 - Weight.....: 2300 g
 - Shaft.....: Ø 11 STAINLESS STEEL (*)
 - Max.rad/axial load.: 15 kg
 - IP output side.(°): see 'CONNECTION' of page 2
 - IP shaft side.(°):> std. 67 | sealed - | low torq. -
 - opt. type (page 2):> standard
 - Contin. max RPM(**)> 3000 - -
 - Starting torque gcm> 200 - -
 - Ball bearings life...: 1,5 x 10⁹ revolutions
 - Impact resistance....: 50 G x 11ms
 - Vibration resistance.: 12 G (10 ÷ 2000 Hz)
 - Power supply.....: 5÷30V (see page 2)
 - Operating temperature: 0 ÷ 70 °C (*)
 - Storage temperature...: -30 ÷ 85 °C
 - N° of pulses/rev.....: 1 ÷ 3600
 - Max frequency.....: 100 kHz (160 option)
 - Max consumptions mA...: std 120 line driver 180 (*)
 - Light source.....: LED with >= 100000 h life
- (°) IP according to CEI EN 60529, EN 60529, IEC 529
(*) custom options
(**) intermittent max RPM + 30% of continuous max RPM

ELECTRONICS

CODE	DESCRIPTION	mA	CODE	DESCRIPTION	mA	CODE	DESCRIPTION	mA	CODE	DESCRIPTION	mA
	STANDARD NPN	10	N	DRIVER 26LS31	30						
K	NPN OPEN COLL	10	T	TTL 7404	10						
Q	NPN	70	C	DRIVER 88C30	20						
R	NPN OPEN COLL	70									
P	PNP	70									
U	PNP OPEN COLL	70									
B	PUSH-PULL PRO	70									
H	PUSH-PULL	70									



Tolerance between phases ± 25°, symmetry ± 15°
(§) Clock-wise output rotation (see shaft).



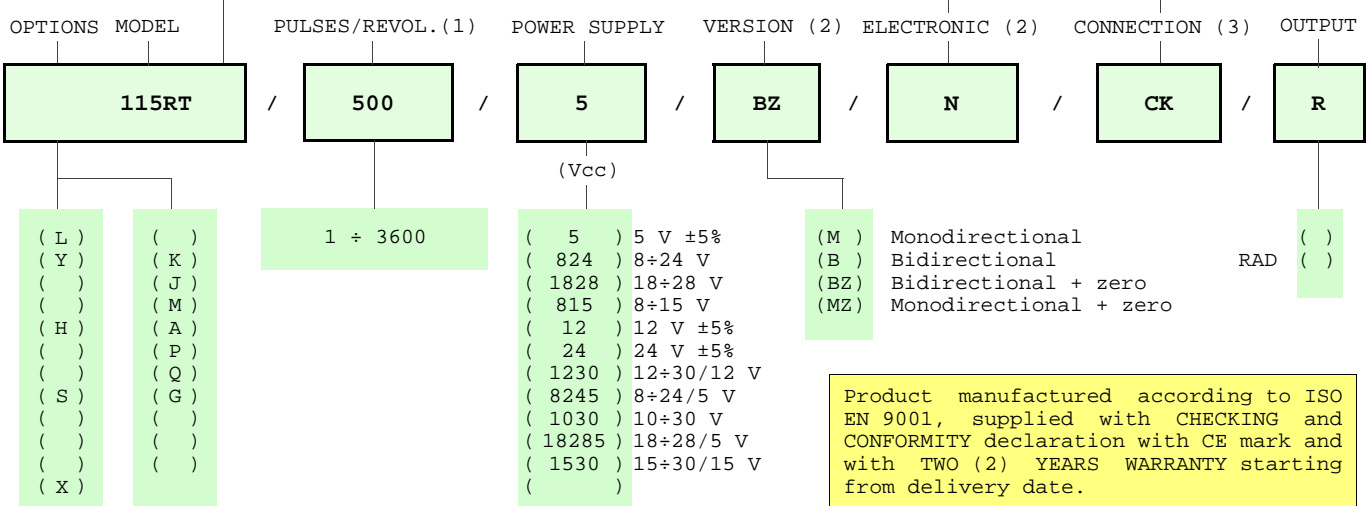
ELCIS s.r.l. Via Rosa Luxembourg 12/14 10093 COLLEGNO (TO) ITALY
Phone: +39 011 715577/78 a.r.
MAIL: ELCIS s.r.l. P.O.Box 90 10093 COLLEGNO (TO) ITALY

* <http://www.elcis.com>
* e-mail: info@elcis.com
* Fax: +39 011 712613

POSSIBLE OPTIONS				POSSIBLE CONNECTIONS	
CODE	DESCRIPTION	CODE	DESCRIPTION	CABLE	OUTPUT:
L	Low temperature	K	Invert. phase A,B,Zero.		
Y	Unbreakable disk	J	Zero logic combination		
		M	Impregnated electronic	CONNECTOR	OUTPUT:
H	Different shaft Ø	A	High temperature	CK SK	RAD
		P	Compressed air attack		
S	160 KHz frequency	Q	Oil seal	CABLE END CONNECTOR	OUTPUT:
		G	Tropicalization		
X	Custom options			TERMINAL BOX	OUTPUT:

ORDERING INFORMATION

POSSIBLE SHAFT Ø		CABLE	CONNECTOR	CABLE END CONNECTOR
()	() STANDARD NPN	IP65		IP65 encoder output
()	(K) NPN OPEN COLL			
()	(Q) NPN	()	()	
()	(R) NPN OPEN COLL	()	()	
()	(P) PNP	()	()	
()	(U) PNP OPEN COLL	()	()	
(n)	(B) PUSH-PULL PRO			
	(H) PUSH-PULL			
()	(N) DRIVER 26LS31	TERMINAL BOX	()	
()	(T) TTL 7404	IP00	()	
()	(C) DRIVER 88C30	()	()	
()	()		(CK) 17c norm. IP65	
()	()		(SK) 17c sealed IP66	
()	(X) CUSTOM OPTION		()	
()	()		()	



NOTE: FOR 88C30 MAX 15 Vdc

- (1) For further information see PULSES/REVOL. data sheet
- (2) For further information see ELECTRONIC data sheet
- (3) For further information see CONNECTION data sheet

	ELCIS s.r.l. Via Rosa Luxembourg 12/14 10093 COLLEGNO (TO) ITALY Phone: +39 011 715577/78 a.r. MAIL: ELCIS s.r.l. P.O.Box 90 10093 COLLEGNO (TO) ITALY	* http://www.elcis.com * e-mail: info@elcis.com * Fax: +39 011 712613
--	--	--

COPYRIGHT by ELCIS - Collegno (TO)