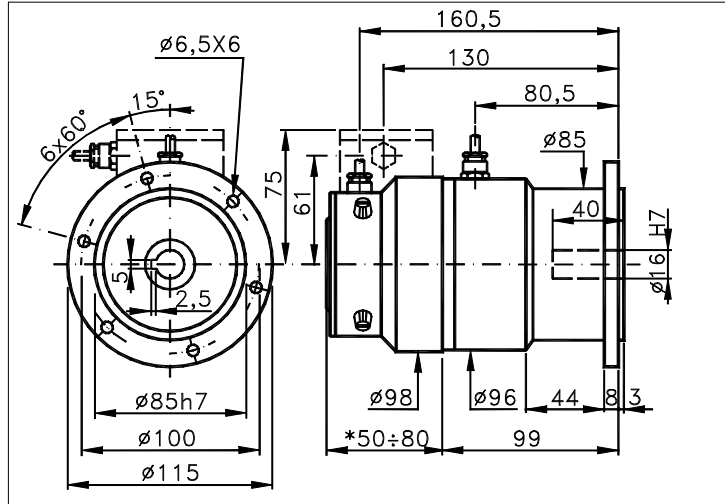


115TC

Sized draw standard version: CV R Measures without tolerance according to UNI ISO 2768-mk



* DEPENDING ON THE MOUNTED TACHO GENERATOR.

TECHNICAL FEATURES AND POSSIBLE CONFIGURATIONS

- Base.....: ANODIZED ALUMINIUM (*)
- Cover.....: ANODIZED ALUMINIUM (*)
- Weight.....: 1650 g
- Shaft.....: Ø 16 HOLLOW STAINL.ST. (*)
- Max.rad/axial load.: 18 kg
- IP output side.(°): see 'CONNECTION' of page 2
- IP shaft side.(°).> std. 64 | sealed 66 | low torq. -
- opt. type (page 2).> standard | Z
- Contin. max RPM(**)> 6000 | 3000 | -
- Starting torque gcm> 90 | 120 | -
- Ball bearings life...: 1,5 x 10⁹ revolutions
- Impact resistance....: 50 G x 11ms
- Vibration resistance.: 12 G (10 ÷ 2000 Hz)
- Power supply.....: 5÷30V (see page 2)
- Operating temperature: 0 ÷ 70 °C (*)
- Storage temperature...: -30 ÷ 85 °C
- N° of pulses/rev.....: 1 ÷ 3600
- Max frequency.....: 100 kHz (160 option)
- Max consumptions mA...: std 120 line driver 180 (*)
- Light source.....: LED with >= 100000 h life

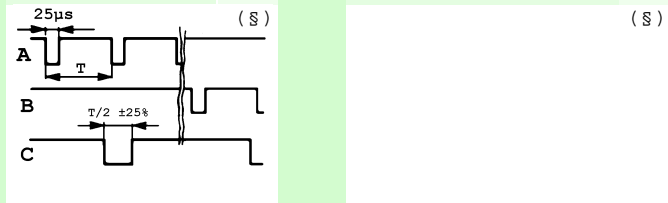
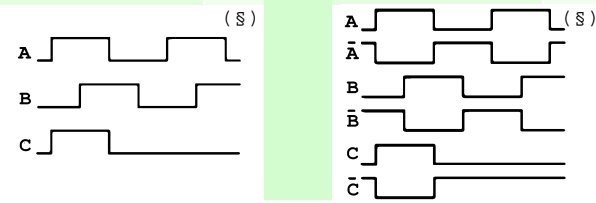
(°) IP according to CEI EN 60529, EN 60529, IEC 529

(*) custom options

(**) intermittent max RPM + 30% of continuous max RPM

ELECTRONICS

CODE	DESCRIPTION	mA	CODE	DESCRIPTION	mA	CODE	DESCRIPTION	mA	CODE	DESCRIPTION	mA
	STANDARD NPN	10	N	DRIVER 26LS31	30	D	DISCRIMINAT.	70			
K	NPN OPEN COLL	10	T	TTL 7404	10						
Q	NPN	70	C	DRIVER 88C30	20						
R	NPN OPEN COLL	70	L	2x PUSH-P.PRO	70						
P	PNP	70	M	2x PUSH-PULL	70						
U	PNP OPEN COLL	70									
B	PUSH-PULL PRO	70									
H	PUSH-PULL	70									



Tolerance between phases ± 25°, symmetry ± 15°

(S) Clock-wise output rotation (see shaft).



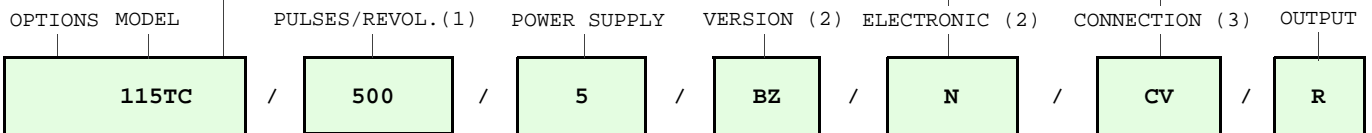
ELCIS s.r.l. Via Rosa Luxembourg 12/14 10093 COLLEGNO (TO) ITALY
Phone: +39 011 715577/78 a.r.
MAIL: ELCIS s.r.l. P.O.Box 90 10093 COLLEGNO (TO) ITALY

* <http://www.elcis.com>
* e-mail: info@elcis.com
* Fax: +39 011 712613

POSSIBLE OPTIONS				POSSIBLE CONNECTIONS								
CODE	DESCRIPTION	CODE	DESCRIPTION	CABLE				OUTPUT:				
L	Low temperature	K	Invert. phase A,B,Zero.	CV				RAD				
Y	Unbreakable disk	J	Zero logic combination	CONNECTOR				OUTPUT:				
Z	Sealed ball bearing	M	Impregnated electronic	CM	SM	CL	SL	CD	CH	CH5	CI	RAD
		A	High temperature	CE			C4	CH6				
		P	Compressed air attack	CABLE END CONNECTOR				OUTPUT:				
S	160 KHz frequency	G	Tropicalization	VM	TM	VL	TL	VD	VH	VH5	VI	RAD
				VE	VK	TK	VN	VH6	VM5	VM9	VS	
				VD5								
X	Custom options			TERMINAL BOX				OUTPUT:				
				MS								RAD

ORDERING INFORMATION

		CABLE	CONNECTOR	CABLE END CONNECTOR
()	STANDARD NPN	IP65		IP65 encoder output
(K)	NPN OPEN COLL	(CV) 1 m long	(CM) 7c norm. IP65	(VM) 7c normal
(Q)	NPN	()	(SM) 7c sealed IP66	(TM) 7c sealed
(R)	NPN OPEN COLL	()	(CL) 10c norm. IP65	(VL) 10c normal
(P)	PNP	()	(SL) 10c sealed IP66	(TL) 10c sealed
(U)	PNP OPEN COLL		(CD) 9c sub D IP63	(VD) 9c
(B)	PUSH-PULL PRO	TERMINAL BOX	(CH) 12c ccw IP67	(VH) 12c anticlock.
(H)	PUSH-PULL	IP65	(CH5) 12c cw IP67	(VH5) 12c clock-wise
(N)	DRIVER 26LS31	(MS) Phoenix	(CI) 12c crimp. IP64	(VI) 12c crimped
(T)	TTL 7404		(CE) 5c miniat IP64	(VE) 5c
(C)	DRIVER 88C30		()	(VK) 17c normal
(L)	2x PUSH-P.PRO		(C4) 4c screw IP65	(TK) 17c sealed
(M)	2x PUSH-PULL		(CH6) 12c cw IP67	(VN) 12c
(D)	DISCRIMINAT.		()	(VH6) 12c clock-wise
(X)	CUSTOM OPTION		()	(VM5) 26c
()			()	(VM9) 16c
()			()	(VS) 12c
()			()	(VD5) 9c screened



- (L) ()
- (Y) (K)
- (Z) (J)
- () (M)
- () (A)
- () (P)
- () ()
- () ()
- (S) (G)
- () ()
- () ()
- () ()
- (X) ()

1 ÷ 3600

- (Vcc)
- (5) 5 V ±5%
 - (824) 8÷24 V
 - (1828) 18÷28 V
 - (815) 8÷15 V
 - (12) 12 V ±5%
 - (24) 24 V ±5%
 - (1230) 12÷30/12 V
 - (8245) 8÷24/5 V
 - (1030) 10÷30 V
 - (18285) 18÷28/5 V
 - (1530) 15÷30/15 V
 - () ()


- (M) Monodirectional
- (B) Bidirectional
- (BZ) Bidirectional + zero
- (MZ) Monodirectional + zero

RAD (R)

Product manufactured according to ISO EN 9001, supplied with CHECKING and CONFORMITY declaration with CE mark and with TWO (2) YEARS WARRANTY starting from delivery date.

NOTE: FOR 88C30 MAX 15 Vdc

(1) For further information see PULSES/REVOL. data sheet
 (2) For further information see ELECTRONIC data sheet
 (3) For further information see CONNECTION data sheet

	ELCIS s.r.l. Via Rosa Luxembourg 12/14 10093 COLLEGNO (TO) ITALY	* http://www.elcis.com
	Phone: +39 011 715577/78 a.r.	* e-mail: info@elcis.com
	MAIL: ELCIS s.r.l. P.O.Box 90 10093 COLLEGNO (TO) ITALY	* Fax: +39 011 712613

COPYRIGHT by ELCIS - Collegno (TO)