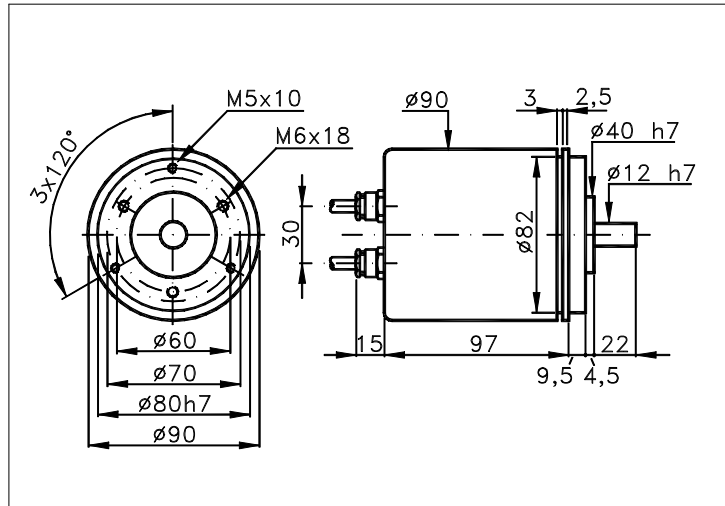


90AT

Sized draw standard version: CV Measures without tolerance according to UNI ISO 2768-mk

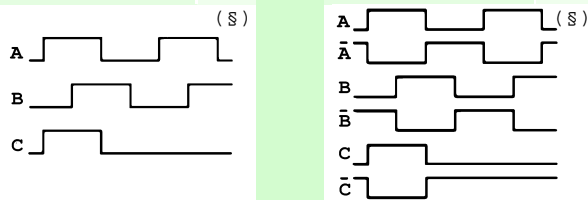


TECHNICAL FEATURES AND POSSIBLE CONFIGURATIONS

- Base.....: ANODIZED ALUMINIUM (*)
 - Cover.....: ANODIZED ALUMINIUM (*)
 - Weight.....: 980 g
 - Shaft.....: Ø 12 STAINLESS STEEL (*)
 - Max.rad/axial load.: 12 kg
 - IP output side.(°): see 'CONNECTION' of page 2
 - IP shaft side.(°)> std. 65 | sealed 66 | low torq. -
 - opt. type (page 2)> standard | Z
 - Contin. max RPM(**)> 6000 | 3000 | -
 - Starting torque gcm> 100 | 160 | -
 - Ball bearings life...: 1,5 x 10⁹ revolutions
 - Impact resistance....: 50 G x 11ms
 - Vibration resistance.: 12 G (10 ÷ 2000 Hz)
 - Power supply.....: 5÷30V (see page 2)
 - Operating temperature: 0 ÷ 70 °C (*)
 - Storage temperature...: -30 ÷ 85 °C
 - N° of pulses/rev.....: 1 ÷ 3600
 - Max frequency.....: 60 kHz (100 option)
 - Max consumptions mA...: std 120 line driver 180 (*)
 - Light source.....: LED with >= 100000 h life
- (°) IP according to CEI EN 60529, EN 60529, IEC 529
 (*) custom options
 (**) intermittent max RPM + 30% of continuous max RPM

ELECTRONICS

CODE	DESCRIPTION	mA	CODE	DESCRIPTION	mA	CODE	DESCRIPTION	mA	CODE	DESCRIPTION	mA
	STANDARD NPN	10	N	DRIVER 26LS31	30						
K	NPN OPEN COLL	10	T	TTL 7404	10						
Q	NPN	70	C	DRIVER 88C30	20						
R	NPN OPEN COLL	70									
P	PNP	70									
U	PNP OPEN COLL	70									
B	PUSH-PULL PRO	70									
H	PUSH-PULL	70									



Tolerance between phases ± 25° , symmetry ± 15°
 (S) Clock-wise output rotation (see shaft).



ELCIS s.r.l. Via Rosa Luxembourg 12/14 10093 COLLEGNO (TO) ITALY
 Phone: +39 011 715577/78 a.r.
 MAIL: ELCIS s.r.l. P.O.Box 90 10093 COLLEGNO (TO) ITALY

* <http://www.elcis.com>
 * e-mail: info@elcis.com
 * Fax: +39 011 712613

POSSIBLE OPTIONS				POSSIBLE CONNECTIONS			
CODE	DESCRIPTION	CODE	DESCRIPTION	CABLE			OUTPUT:
Y	Unbreakable disk	K	Invert. phase A,B,Zero.	CV			AX RAD
Z	Sealed ball bearing	J	Zero logic combination	CONNECTOR			OUTPUT:
H	Different shaft Ø	M	Impregnated electronic	CM	SM	CL SL CH CH5 CI	AX RAD
R	75 KHz frequency	P	Compressed air attack	CABLE END CONNECTOR			OUTPUT:
V	100 KHz frequency	Q	Oil seal	VM	TM	VL TL VD VH VH5 VI	AX RAD
		G	Tropicalization	VE	VK	TK VN VH6 VM5 VM9 VS	
X	Custom options			TERMINAL BOX			OUTPUT:

ORDERING INFORMATION

POSSIBLE SHAFT Ø	STANDARD NPN	CABLE	CONNECTOR	CABLE END CONNECTOR
()	(K) NPN OPEN COLL	IP65		IP65 encoder output
()	(Q) NPN	(CV) 1 m long	(CM) 7c norm. IP65	(VM) 7c normal
()	(R) NPN OPEN COLL	()	(SM) 7c sealed IP66	(TM) 7c sealed
()	(P) PNP	()	(CL) 10c norm. IP65	(VL) 10c normal
()	(U) PNP OPEN COLL	()	(SL) 10c sealed IP66	(TL) 10c sealed
(n)	(B) PUSH-PULL PRO		()	(VD) 9c
	(H) PUSH-PULL		(CH) 12c ccw IP67	(VH) 12c anticlock.
	(N) DRIVER 26LS31	TERMINAL BOX	(CH5) 12c cw IP67	(VH5) 12c clock-wise
	(T) TTL 7404	IP00	(CI) 12c crimp. IP64	(VI) 12c crimped
	(C) DRIVER 88C30	()	()	(VE) 5c
	()		()	(VK) 17c normal
	()		()	(TK) 17c sealed
	()		()	(VN) 12c
	(X) CUSTOM OPTION		(CH6) 12c cw IP67	(VH6) 12c clock-wise
	()		()	(VM5) 26c
				(VM9) 16c
				(VS) 12c
				(VD5) 9c screened

OPTIONS	MODEL	PULSES/REVOL. (1)	POWER SUPPLY	VERSION (2)	ELECTRONIC (2)	CONNECTION (3)	OUTPUT
()	90AT	500	5	BZ	N	CV	()
(Y)	()	1 ÷ 3600	(Vcc)	(M) Monodirectional			AX ()
(Z)	(K)		(5) 5 V ±5%	(B) Bidirectional			RAD (R)
()	(J)		(824) 8÷24 V	(BZ) Bidirectional + zero			
(H)	(M)		(1828) 18÷28 V	(MZ) Monodirectional + zero			
(R)	()		(815) 8÷15 V				
(V)	(P)		(12) 12 V ±5%				
()	(Q)		(24) 24 V ±5%				
()	(G)		(1230) 12÷30/12 V				
()	()		(8245) 8÷24/5 V				
()	()		(1030) 10÷30 V				
()	()		(18285) 18÷28/5 V				
(X)	()		(1530) 15÷30/15 V				
			()				

Product manufactured according to ISO EN 9001, supplied with CHECKING and CONFORMITY declaration with CE mark and with TWO (2) YEARS WARRANTY starting from delivery date.

NOTE: FOR 88C30 MAX 15 Vdc

- (1) For further information see PULSES/REVOL. data sheet
 (2) For further information see ELECTRONIC data sheet
 (3) For further information see CONNECTION data sheet

ELCIS company has the right to make any changing without previous notice.

data sheet II051 E00 page: 06. 90AT 1/2

	<p>ELCIS s.r.l. Via Rosa Luxembourg 12/14 10093 COLLEGNO (TO) ITALY Phone: +39 011 715577/78 a.r. MAIL: ELCIS s.r.l. P.O.Box 90 10093 COLLEGNO (TO) ITALY</p>	<p>* http://www.elcis.com * e-mail: info@elcis.com * Fax: +39 011 712613</p>
--	---	---

COPYRIGHT by ELCIS - Collegno (TO)