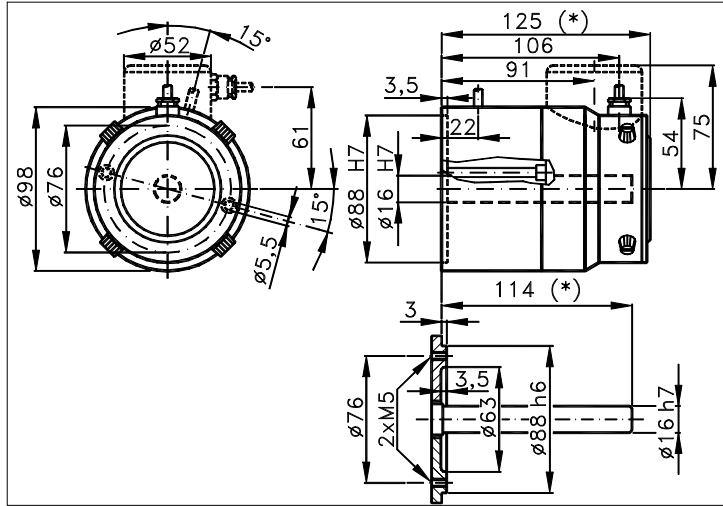


98T

Sized draw standard version: CV R Measures without tolerance according to UNI ISO 2768-mk  
Max joint compensation: axial ± 0,15mm, radial ± 0,05mm, angular ± 1°



\* DEPENDING ON THE MOUNTED TACHO GENERATOR.

TECHNICAL FEATURES AND POSSIBLE CONFIGURATIONS

- Base.....: ANODIZED ALUMINIUM (\*)
- Cover.....: ANODIZED ALUMINIUM (\*)
- Weight.....: 600 g
- Shaft.....: Ø 16 HOLLOW STAINL.ST. (\*)
- Max.rad/axial load.: 8 kg
- IP output side.(°): see 'CONNECTION' of page 2
- IP shaft side.(°):> std. 64 | sealed 66 | low torq. -
- opt. type (page 2):> standard | Z
- Contin. max RPM(\*\*)> 6000 | 3000 | -
- Starting torque gcm> 250 | 350 | -
- Ball bearings life...: 1,5 x 10<sup>9</sup> revolutions
- Impact resistance....: 50 G x 11ms
- Vibration resistance.: 12 G (10 ÷ 2000 Hz)
- Power supply.....: 5÷30V (see page 2)
- Operating temperature: 0 ÷ 70 °C (\*)
- Storage temperature...: -30 ÷ 85 °C
- N° of pulses/rev.....: 1 ÷ 2540
- Max frequency.....: 100 kHz (300 option)
- Max consumptions mA...: std 120 line driver 180 (\*)
- Light source.....: LED with >= 100000 h life

(°) IP according to CEI EN 60529, EN 60529, IEC 529

(\*) custom options

(\*\*) intermittent max RPM + 30% of continuous max RPM

ELECTRONICS

| CODE | DESCRIPTION   | mA | CODE | DESCRIPTION   | mA | CODE | DESCRIPTION | mA | CODE | DESCRIPTION | mA |
|------|---------------|----|------|---------------|----|------|-------------|----|------|-------------|----|
|      | STANDARD NPN  | 10 | N    | DRIVER 26LS31 | 30 |      |             |    |      |             |    |
| K    | NPN OPEN COLL | 10 | T    | TTL 7404      | 10 |      |             |    |      |             |    |
| Q    | NPN           | 70 | C    | DRIVER 88C30  | 20 |      |             |    |      |             |    |
| R    | NPN OPEN COLL | 70 |      |               |    |      |             |    |      |             |    |
| P    | PNP           | 70 |      |               |    |      |             |    |      |             |    |
| U    | PNP OPEN COLL | 70 |      |               |    |      |             |    |      |             |    |
| B    | PUSH-PULL PRO | 70 |      |               |    |      |             |    |      |             |    |
| H    | PUSH-PULL     | 70 |      |               |    |      |             |    |      |             |    |



Tolerance between phases ± 25°, symmetry ± 15°

(S) Clock-wise output rotation (see shaft).



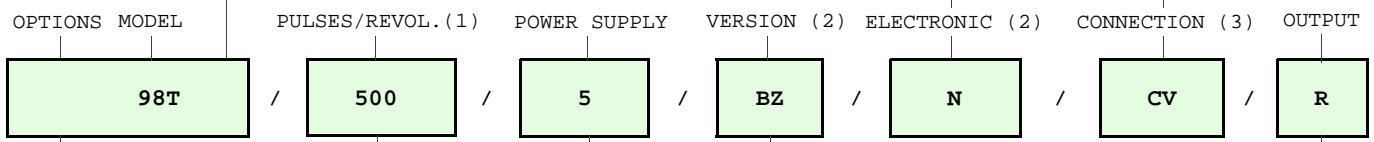
ELCIS s.r.l. Via Rosa Luxembourg 12/14 10093 COLLEGNO (TO) ITALY  
Phone: +39 011 715577/78 a.r.  
MAIL: ELCIS s.r.l. P.O.Box 90 10093 COLLEGNO (TO) ITALY

\* <http://www.elcis.com>  
\* e-mail: [info@elcis.com](mailto:info@elcis.com)  
\* Fax: +39 011 712613

| POSSIBLE OPTIONS |                     |      |                         | POSSIBLE CONNECTIONS |    |    |    |         |     |     |    |     |
|------------------|---------------------|------|-------------------------|----------------------|----|----|----|---------|-----|-----|----|-----|
| CODE             | DESCRIPTION         | CODE | DESCRIPTION             |                      |    |    |    |         |     |     |    |     |
| L                | Low temperature     | K    | Invert. phase A,B,Zero. | CABLE                |    |    |    | OUTPUT: |     |     |    |     |
| Y                | Unbreakable disk    | J    | Zero logic combination  | CV                   |    |    |    | RAD     |     |     |    |     |
| Z                | Sealed ball bearing | M    | Impregnated electronic  | CONNECTOR            |    |    |    | OUTPUT: |     |     |    |     |
|                  |                     | A    | High temperature        | CABLE END CONNECTOR  |    |    |    | OUTPUT: |     |     |    |     |
| S                | 160 KHz frequency   | G    | Tropicalization         | VM                   | TM | VL | TL | VD      | VH  | VH5 | VI |     |
| W                | 300 KHz frequency   |      |                         | VE                   | VK | TK | VN | VH6     | VM5 | VM9 | VS | RAD |
| X                | Custom options      |      |                         | VD5                  |    |    |    |         |     |     |    |     |
|                  |                     |      |                         | TERMINAL BOX         |    |    |    | OUTPUT: |     |     |    |     |

### ORDERING INFORMATION

|                     |                 | CABLE | CONNECTOR | CABLE END CONNECTOR  |
|---------------------|-----------------|-------|-----------|----------------------|
| ( ) STANDARD NPN    | ( )             | IP65  |           | IP65 encoder output  |
| ( K ) NPN OPEN COLL | ( CV ) 1 m long |       | ( )       | (VM ) 7c normal      |
| ( Q ) NPN           | ( )             |       | ( )       | (TM ) 7c sealed      |
| ( R ) NPN OPEN COLL | ( )             |       | ( )       | (VL ) 10c normal     |
| ( P ) PNP           | ( )             |       | ( )       | (TL ) 10c sealed     |
| ( U ) PNP OPEN COLL |                 |       | ( )       | (VD ) 9c             |
| ( B ) PUSH-PULL PRO | TERMINAL BOX    |       | ( )       | (VH ) 12c anticlock. |
| ( H ) PUSH-PULL     | IP00            |       | ( )       | (VH5) 12c clock-wise |
| ( N ) DRIVER 26LS31 | ( )             |       | ( )       | (VI ) 12c crimped    |
| ( T ) TTL 7404      |                 |       | ( )       | (VE ) 5c             |
| ( C ) DRIVER 88C30  |                 |       | ( )       | (VK ) 17c normal     |
| ( )                 |                 |       | ( )       | (TK ) 17c sealed     |
| ( )                 |                 |       | ( )       | (VN ) 12c            |
| ( )                 |                 |       | ( )       | (VH6) 12c clock-wise |
| ( X ) CUSTOM OPTION |                 |       | ( )       | (VM5) 26c            |
| ( )                 |                 |       | ( )       | (VM9) 16c            |
| ( )                 |                 |       | ( )       | (VS ) 12c            |
| ( )                 |                 |       | ( )       | (VD5) 9c screened    |




|       |       |          |                     |                               |           |
|-------|-------|----------|---------------------|-------------------------------|-----------|
| ( L ) | ( )   | 1 ÷ 2540 | ( 5 ) 5 V ±5%       | ( M ) Monodirectional         | ( )       |
| ( Y ) | ( K ) |          | ( 824 ) 8÷24 V      | ( B ) Bidirectional           | RAD ( R ) |
| ( Z ) | ( J ) |          | ( 1828 ) 18÷28 V    | ( BZ ) Bidirectional + zero   |           |
| ( )   | ( M ) |          | ( 815 ) 8÷15 V      | ( MZ ) Monodirectional + zero |           |
| ( )   | ( A ) |          | ( 12 ) 12 V ±5%     |                               |           |
| ( )   | ( )   |          | ( 24 ) 24 V ±5%     |                               |           |
| ( )   | ( )   |          | ( 1230 ) 12÷30/12 V |                               |           |
| ( S ) | ( G ) |          | ( 8245 ) 8÷24/5 V   |                               |           |
| ( W ) | ( )   |          | ( 1030 ) 10÷30 V    |                               |           |
| ( )   | ( )   |          | ( 18285 ) 18÷28/5 V |                               |           |
| ( )   | ( )   |          | ( 1530 ) 15÷30/15 V |                               |           |
| ( X ) | ( )   |          | ( )                 |                               |           |

Product manufactured according to ISO EN 9001, supplied with CHECKING and CONFORMITY declaration with CE mark and with TWO (2) YEARS WARRANTY starting from delivery date.

NOTE: FOR 88C30 MAX 15 Vdc

- (1) For further information see PULSES/REVOL. data sheet
- (2) For further information see ELECTRONIC data sheet
- (3) For further information see CONNECTION data sheet

|  |  |  |
|--|--|--|
|  | ELCIS s.r.l. Via Rosa Luxembourg 12/14 10093 COLLEGNO (TO) ITALY | * <a href="http://www.elcis.com">http://www.elcis.com</a>    |
|  | Phone: +39 011 715577/78 a.r.                                    | * e-mail: <a href="mailto:info@elcis.com">info@elcis.com</a> |
|  | MAIL: ELCIS s.r.l. P.O.Box 90 10093 COLLEGNO (TO) ITALY          | * Fax: +39 011 712613  |

COPYRIGHT by ELCIS - Collegno (TO)