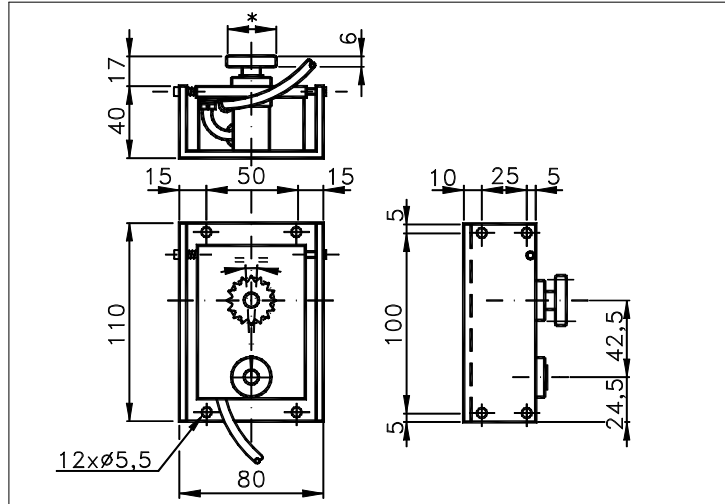


Sized draw standard version: CV R Measures without tolerance according to UNI ISO 2768-mk



* SEE 'POSSIBLE PINION' OF NEXT PAGE.

TECHNICAL FEATURES AND POSSIBLE CONFIGURATIONS

- Base.....: ANODIZED ALUMINIUM (*)
- Cover.....: ANODIZED ALUMINIUM (*)
- Weight.....: 800 g
- Shaft.....: STAINLESS STEEL PINION (*)
- Max.rad/axial load.: 4 kg
- IP output side.(°): see 'CONNECTION' of page 2
- IP shaft side.(°):> std. 66 | sealed - | low torq. -
- opt. type (page 2):> standard
- Contin. max RPM(**):> 3000 - -
- Starting torque gcm> 30 - -
- Ball bearings life....: 1,5 x 10⁹ revolutions
- Impact resistance....: 50 G x 11ms
- Vibration resistance.: 12 G (10 ÷ 2000 Hz)
- Power supply.....: 5÷30V (see page 2)
- Operating temperature: 0 ÷ 70 °C (*)
- Storage temperature...: -30 ÷ 85 °C
- N° of pulses/rev.....: 1 ÷ 2540
- Max frequency.....: 60 kHz (100 option)
- Max consumptions mA...: std 120 line driver 180 (*)
- Light source.....: LED with >= 100000 h life

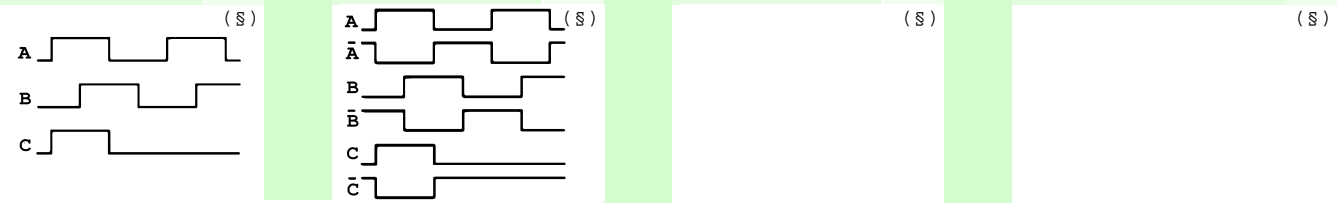
(°) IP according to CEI EN 60529, EN 60529, IEC 529

(*) custom options

(**) intermittent max RPM + 30% of continuous max RPM

ELECTRONICS

CODE	DESCRIPTION	mA	CODE	DESCRIPTION	mA	CODE	DESCRIPTION	mA	CODE	DESCRIPTION	mA
	STANDARD NPN	10	N	DRIVER 26LS31	30						
K	NPN OPEN COLL	10	T	TTL 7404	10						
Q	NPN	70	C	DRIVER 88C30	20						
R	NPN OPEN COLL	70									
P	PNP	70									
U	PNP OPEN COLL	70									
B	PUSH-PULL PRO	70									
H	PUSH-PULL	70									



Tolerance between phases ± 25°, symmetry ± 15°

(S) Clock-wise output rotation (see shaft).



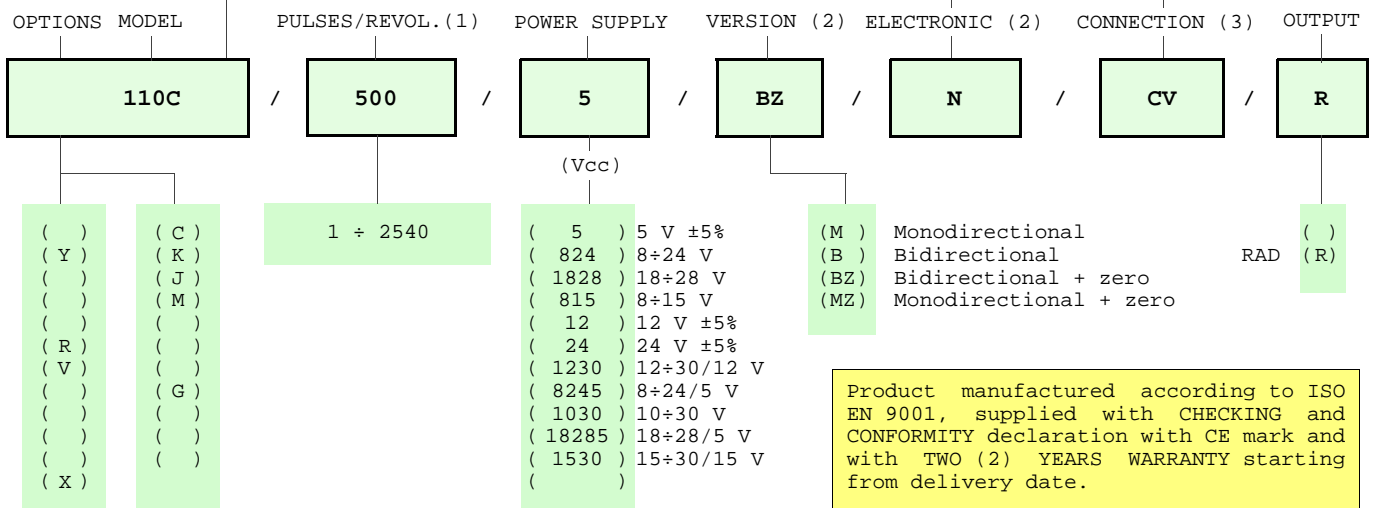
ELCIS s.r.l. Via Rosa Luxembourg 12/14 10093 COLLEGNO (TO) ITALY
Phone: +39 011 715577/78 a.r.
MAIL: ELCIS s.r.l. P.O.Box 90 10093 COLLEGNO (TO) ITALY

* <http://www.elcis.com>
* e-mail: info@elcis.com
* Fax: +39 011 712613

POSSIBLE OPTIONS				POSSIBLE CONNECTIONS								
CODE	DESCRIPTION	CODE	DESCRIPTION	CABLE			OUTPUT:					
Y	Unbreakable disk	C	Low consumption	CV			RAD					
		K	Invert. phase A,B,Zero.	CONNECTOR			OUTPUT:					
		J	Zero logic combination	CABLE END CONNECTOR			OUTPUT:					
		M	Impregnated electronic	VM	TM	VL	TL	VD	VH	VH5	VI	
R	75 KHz frequency			VE	VK	TK	VN	VH6	VM5	VM9	VS	RAD
V	100 KHz frequency	G	Tropicalization	VD5								
X	Custom options			TERMINAL BOX			OUTPUT:					


ORDERING INFORMATION

POSSIBLE PINION		CABLE	CONNECTOR	CABLE END CONNECTOR
()	STANDARD NPN	IP65		IP65 encoder output
(K)	NPN OPEN COLL	(CV) 1 m long	()	(VM) 7c normal
(Q)	NPN	()	()	(TM) 7c sealed
(R)	NPN OPEN COLL	()	()	(VL) 10c normal
(P)	PNP	TERMINAL BOX	()	(TL) 10c sealed
(U)	PNP OPEN COLL	IP00	()	(VD) 9c
(B)	PUSH-PULL PRO	()	()	(VH) 12c anticlock.
(H)	PUSH-PULL	()	()	(VH5) 12c clock-wise
(N)	DRIVER 26LS31	()	()	(VI) 12c crimped
(T)	TTL 7404	()	()	(VE) 5c
(C)	DRIVER 88C30	()	()	(VK) 17c normal
()		()	()	(TK) 17c sealed
()		()	()	(VN) 12c
(B)	Pinion 13 t.	()	()	(VH6) 12c clock-wise
(D)	Pinion 34 t.	()	()	(VM5) 26c
(C)	Pinion 16 t.	()	()	(VM9) 16c
(A)	Shaft Ø 8	()	()	(VS) 12c
(X)	CUSTOM OPTION	()	()	(VD5) 9c screened



NOTE: FOR 88C30 MAX 15 Vdc

- (1) For further information see PULSES/REVOL. data sheet
- (2) For further information see ELECTRONIC data sheet
- (3) For further information see CONNECTION data sheet

	<p>ELCIS s.r.l. Via Rosa Luxembourg 12/14 10093 COLLEGNO (TO) ITALY Phone: +39 011 715577/78 a.r. MAIL: ELCIS s.r.l. P.O.Box 90 10093 COLLEGNO (TO) ITALY</p>	<p>* http://www.elcis.com * e-mail: info@elcis.com * Fax: +39 011 712613</p>
--	---	---