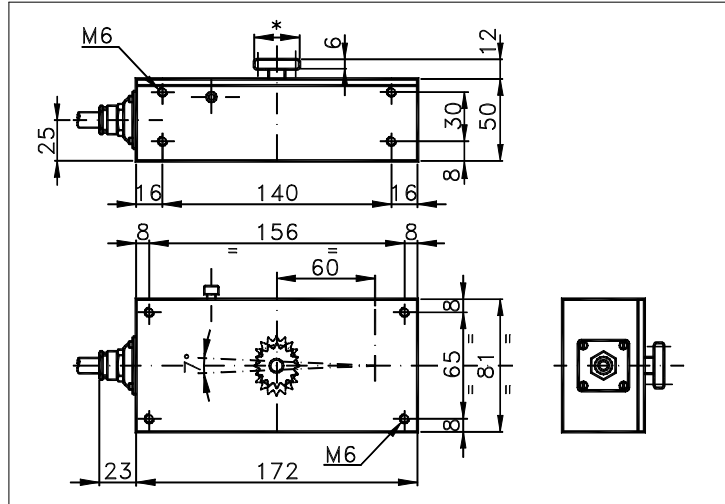
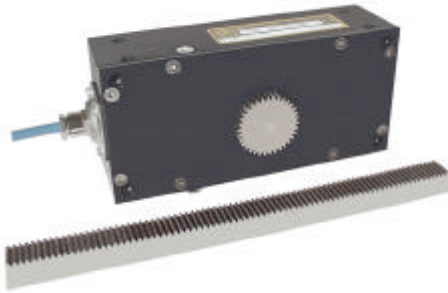


172C

Sized draw standard version: CV R Measures without tolerance according to UNI ISO 2768-mk



\* SEE 'POSSIBLE PINION' OF NEXT PAGE.

TECHNICAL FEATURES AND POSSIBLE CONFIGURATIONS

- |  |   |
|--|---|
| - Base.....: ANODIZED ALUMINIUM (*)                    | - Ball bearings life....: $1,5 \times 10^9$ revolutions |
| - Cover.....: ANODIZED ALUMINIUM (*)                   | - Impact resistance....: 50 G x 11ms                    |
| - Weight.....: 1800 g                                  | - Vibration resistance.: 12 G (10 ÷ 2000 Hz)            |
| - Shaft.....: STAINLESS STEEL PINION (*)               | - Power supply.....: 5÷30V (see page 2)                 |
| - Max.rad/axial load.: 4 kg                            | - Operating temperature: 0 ÷ 70 °C (*)                  |
| - IP output side.(°): see 'CONNECTION' of page 2       | - Storage temperature...: -30 ÷ 85 °C                   |
| - IP shaft side.(°):> std. 66   sealed -   low torq. - | - N° of pulses/rev.....: 1 ÷ 10000                      |
| opt. type (page 2):> standard                          | - Max frequency.....: 60 kHz (100 option)               |
| - Contin. max RPM(**)> 3000 - -                        | - Max consumptions mA...: std 120 line driver 180 (*)   |
| - Starting torque gcm> 30 - -                          | - Light source.....: LED with >= 100000 h life          |

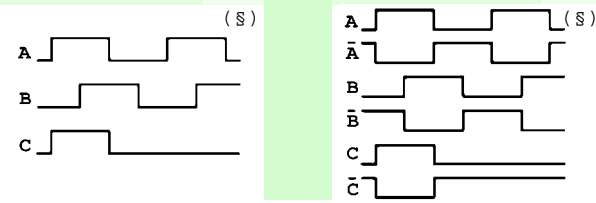
(°) IP according to CEI EN 60529, EN 60529, IEC 529

(\*) custom options

(\*\*) intermittent max RPM + 30% of continuous max RPM

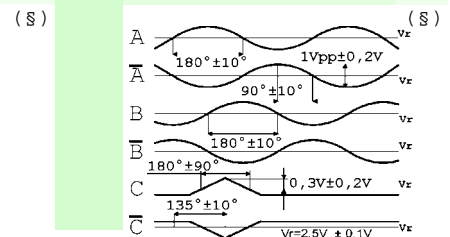
ELECTRONICS

CODE	DESCRIPTION	mA	CODE	DESCRIPTION	mA	CODE	DESCRIPTION	mA	CODE	DESCRIPTION	mA
	STANDARD NPN	10	N	DRIVER 26LS31	30				Y	SINUSOID. 1Vpp	10
K	NPN OPEN COLL	10	T	TTL 7404	10						
Q	NPN	70	C	DRIVER 88C30	20						
R	NPN OPEN COLL	70									
P	PNP	70									
U	PNP OPEN COLL	70									
B	PUSH-PULL PRO	70									
H	PUSH-PULL	70									



Tolerance between phases ± 25°, symmetry ± 15°

(§) Clock-wise output rotation (see shaft).



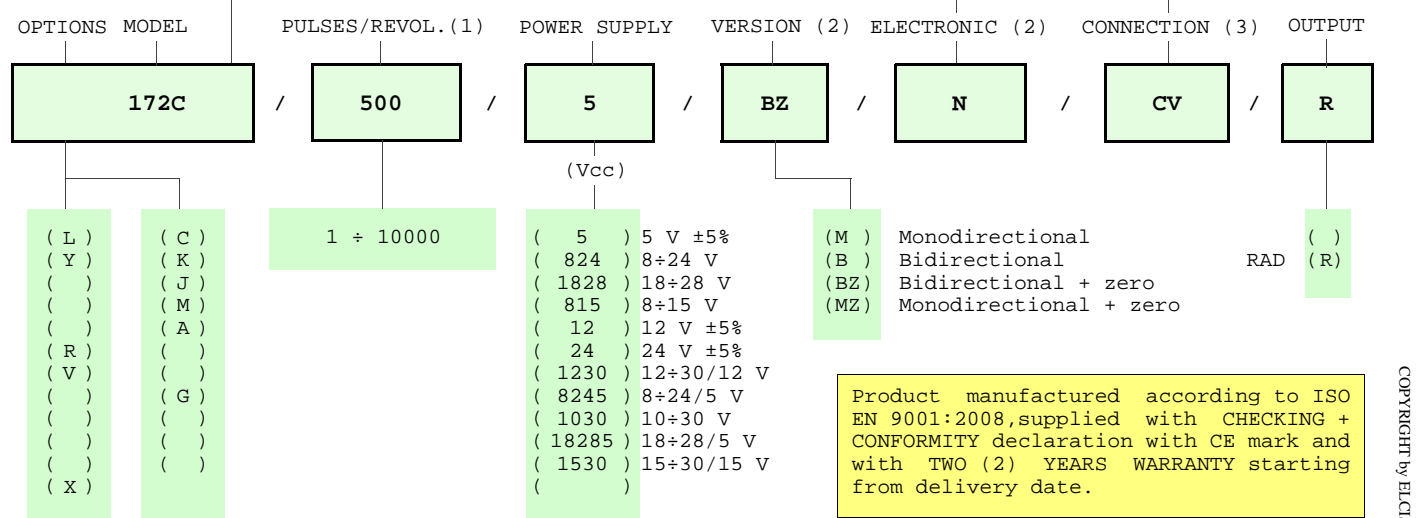
ELCIS encoder s.r.l. Via Rosa Luxembourg 12/14 10093 COLLEGNO (TO) ITALY  
Phone: +39 011 715577/78 a.r.  
MAIL: ELCIS encoder s.r.l. P.O.Box 70 10093 COLLEGNO (TO) ITALY

\* <http://www.elcis.com>  
\* e-mail: [info@elcis.com](mailto:info@elcis.com)  
\* Fax: +39 011 712613

POSSIBLE OPTIONS				POSSIBLE CONNECTIONS			
CODE	DESCRIPTION	CODE	DESCRIPTION	CABLE			OUTPUT:
L	Low temperature	C	Low consumption	CV			RAD
Y	Unbreakable disk	K	Invert. phase A,B,Zero.	CONNECTOR			OUTPUT:
		J	Zero logic combination	CM	SM	CL SL CH CH5 CI	RAD
		M	Impregnated electronic	CABLE END CONNECTOR			OUTPUT:
R	75 KHz frequency	A	High temperature	VM	TM	VL TL VD VH VH5 VI	RAD
V	100 KHz frequency	G	Tropicalization	VE	VK	TK VN VH6 VM5 VM9 VS	RAD
				VD5			
X	Custom options			TERMINAL BOX			OUTPUT:

### ORDERING INFORMATION


POSSIBLE PINION		CABLE	CONNECTOR	CABLE END CONNECTOR
( )	STANDARD NPN	IP65		IP65 encoder output
( K )	NPN OPEN COLL	( CV ) 1 m long	( CM ) 7c norm. IP65	( VM ) 7c normal
( Q )	NPN	( )	( SM ) 7c sealed IP66	( TM ) 7c sealed
( R )	NPN OPEN COLL	( )	( CL ) 10c norm. IP65	( VL ) 10c normal
( P )	PNP		( SL ) 10c sealed IP66	( TL ) 10c sealed
( U )	PNP OPEN COLL		( )	( VD ) 9c
( B )	PUSH-PULL PRO		( CH ) 12c ccw IP67	( VH ) 12c anticlock.
( H )	PUSH-PULL	TERMINAL BOX	( CH5 ) 12c cw IP67	( VH5 ) 12c clock-wise
( N )	DRIVER 26LS31	IP00	( CI ) 12c crimp. IP64	( VI ) 12c crimped
( T )	TTL 7404	( )	( )	( VE ) 5c
( C )	DRIVER 88C30		( )	( VK ) 17c normal
( )			( )	( TK ) 17c sealed
( )			( )	( VN ) 12c
( B )	Pinion 13 t.		( CH6 ) 12c cw IP67	( VH6 ) 12c clock-wise
( D )	Pinion 34 t.		( )	( VM5 ) 26c
( C )	Pinion 16 t.			( VM9 ) 16c
( A )	Shaft Ø 8			( VS ) 12c
				( VD5 ) 9c screened



Product manufactured according to ISO EN 9001:2008, supplied with CHECKING + CONFORMITY declaration with CE mark and with TWO (2) YEARS WARRANTY starting from delivery date.

NOTE: FOR 88C30 MAX 15 Vdc

(1) For further information see PULSES/REVOL. data sheet  
 (2) For further information see ELECTRONIC data sheet  
 (3) For further information see CONNECTION data sheet

	ELCIS encoder s.r.l. Via Rosa Luxembourg 12/14 10093 COLLEGNO (TO) ITALY	* <a href="http://www.elcis.com">http://www.elcis.com</a>
	Phone: +39 011 715577/78 a.r.	* e-mail: <a href="mailto:info@elcis.com">info@elcis.com</a>
	MAIL: ELCIS encoder s.r.l. P.O.Box 70 10093 COLLEGNO (TO) ITALY	* Fax: +39 011 712613

COPYRIGHT by ELCIS - Collegno (TO)