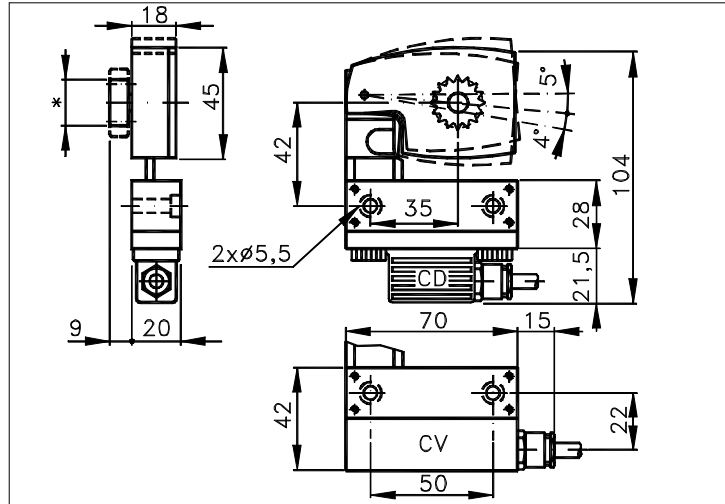


Sized draw standard version: CD Measures without tolerance according to UNI ISO 2768-mk



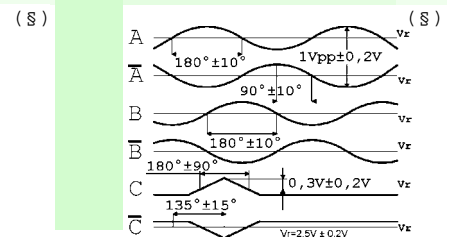
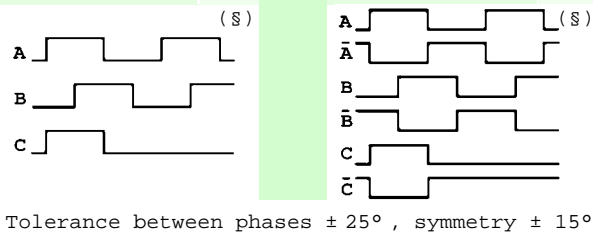
* SEE 'POSSIBLE PINION' OF NEXT PAGE.

TECHNICAL FEATURES AND POSSIBLE CONFIGURATIONS

- Base.....: ANODIZED ALUMINIUM (*)
- Cover.....: ANODIZED ALUMINIUM (*)
- Weight.....: 280 g
- Shaft.....: STAINLESS STEEL PINION (*)
- Max.rad/axial load.: 0,5 kg
- IP output side.(°): see 'CONNECTION' of page 2
- IP shaft side.(°)> std. 64 | sealed 66 | low torq. -
- opt. type (page 2).> standard | Z
- Contin. max RPM(**)> 4000 | 3000 | -
- Starting torque gcm> 30 | 45 | -
- (°) IP according to CEI EN 60529, EN 60529, IEC 529
- (*) custom options
- MTTFd (°°).....: HIGH
- Impact resistance.....: 50 G x 11ms
- Vibration resistance.: 12 G (10 ÷ 2000 Hz)
- Power supply.....: 5÷30V (see page 2)
- Operating temperature: 0 ÷ 70 °C (*)
- Storage temperature...: -30 ÷ 85 °C
- N° of pulses/rev.....: 1 ÷ 10000
- Max frequency.....: 40 kHz (100 option)
- Max consumptions mA...: std 120 line driver 180 (*)
- Light source.....: LED with >= 100000 h life
- (°°) MTTFd according to EN ISO 13849-1
- (**) intermittent max RPM + 30% of continuous max RPM

ELECTRONICS

CODE	DESCRIPTION	mA	CODE	DESCRIPTION	mA	CODE	DESCRIPTION	mA	CODE	DESCRIPTION	mA
	STANDARD NPN	10	N	DRIVER 26LS31	30				Y	SINUSOID.1Vpp (max. 1024 ppr)	10
K	NPN OPEN COLL	10	T	TTL 7404	10						
Q	NPN	70	C	DRIVER 88C30	20						
R	NPN OPEN COLL	70									
P	PNP	70									
U	PNP OPEN COLL	70									
B	PUSH-PULL PRO	70									
H	PUSH-PULL	70									

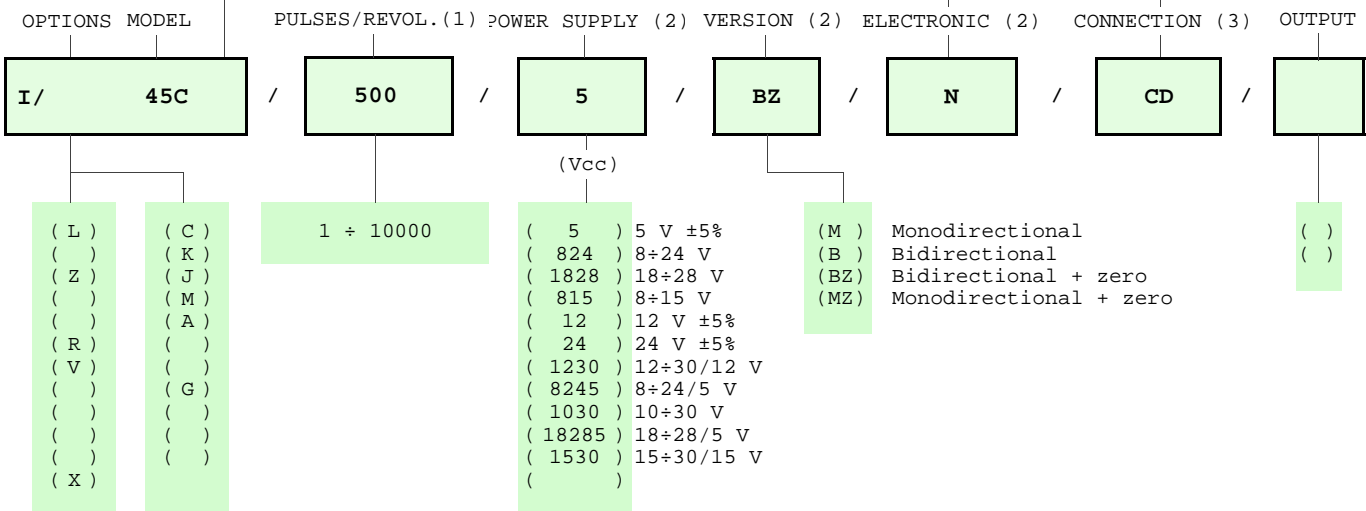


(§) Clock-wise output rotation (see shaft).

POSSIBLE OPTIONS				POSSIBLE CONNECTIONS			
CODE	DESCRIPTION	CODE	DESCRIPTION	CABLE		OUTPUT:	
L	Low temperature	C	Low consumption	CV			
Z	Sealed ball bearing	K	Invert. phase A,B,Zero.	CONNECTOR		OUTPUT:	
R	75 KHz frequency	J	Zero logic combination	CD			
V	100 KHz frequency	M	Impregnated electronic	CABLE END CONNECTOR		OUTPUT:	
		A	High temperature	VM TM VL TL VD VH VH5 VI		VE VK TK VN VH6 VM5 VM9 VS	
		G	Tropicalization	VD5			
X	Custom options			TERMINAL BOX		OUTPUT:	

ORDERING INFORMATION


POSSIBLE PINION		CABLE	CONNECTOR	CABLE END CONNECTOR
()	() STANDARD NPN	IP65		IP65 encoder output
()	(K) NPN OPEN COLL	(CV) 1 m long	()	(VM) 7c normal
()	(Q) NPN	()	()	(TM) 7c sealed
()	(R) NPN OPEN COLL	()	()	(VL) 10c normal
()	(P) PNP	()	()	(TL) 10c sealed
()	(U) PNP OPEN COLL	()	()	(VD) 9c
()	(B) PUSH-PULL PRO	(CD) 9c sub D	IP64	(VH) 12c anticlock.
()	(H) PUSH-PULL	TERMINAL BOX		(VH5) 12c clock-wise
()	(N) DRIVER 26LS31	IP00		(VI) 12c crimped
()	(T) TTL 7404	()		(VE) 5c
()	(C) DRIVER 88C30	()		(VK) 17c normal
()	()	()		(TK) 17c sealed
(B)	(Y) SINUSOID.1Vpp	()		(VN) 12c
()	(X) CUSTOM OPTION	()		(VH6) 12c clock-wise
(C)	() (max. 1024 pp)	()		(VM5) 26c
()		()		(VM9) 16c
		()		(VS) 12c
		()		(VD5) 9c screened



NOTE: FOR 88C30 MAX 15 Vdc

Product manufactured according to UNI EN ISO 9001:2008, supplied with CHECKING and CONFORMITY declaration with CE mark and with TWO (2) YEARS WARRANTY starting from delivery date.

- (1) For further information see PULSES/REVOL. data sheet
- (2) For further information see ELECTRONIC data sheet
- (3) For further information see CONNECTION data sheet

	ELCIS encoder s.r.l. Via Rosa Luxembourg 12/14 10093 COLLEGNO (TO) ITALY Phone: +39 011 715577/78 a.r. MAIL: ELCIS encoder s.r.l. P.O.Box 70 10093 COLLEGNO (TO) ITALY	* http://www.elcis.com * e-mail: info@elcis.com * Fax: +39 011 712613
--	--	--

COPYRIGHT by ELCIS - Collegno (TO)