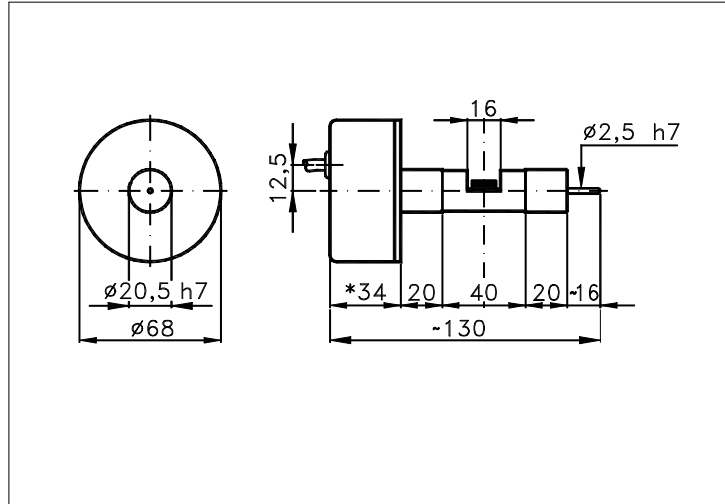


Sized draw standard version: CV Measures without tolerance according to UNI ISO 2768-mk



* 43,5 FOR (CD), (CM), (CL), (CH) CONNECTIONS.

TECHNICAL FEATURES AND POSSIBLE CONFIGURATIONS

- | | |
|--|--|
| - Base.....: ANODIZED ALUMINIUM (*) | - Ball bearings life...: $1,5 \times 10^9$ revolutions |
| - Cover.....: ANODIZED ALUMINIUM (*) | - Impact resistance....: 50 G x 11ms |
| - Weight.....: 400 g | - Vibration resistance.: 12 G (10 ÷ 2000 Hz) |
| - Shaft.....: CUSTOMER SUPPLIED (*) | - Power supply.....: 5÷30V (see page 2) |
| - Max.rad/axial load.: ---- | - Operating temperature: 0 ÷ 70 °C (*) |
| - IP output side.(°): see 'CONNECTION' of page 2 | - Storage temperature...: -30 ÷ 85 °C |
| - IP shaft side.(°):> std. 00 sealed - low torq. - | - N° of pulses/rev.....: 1 ÷ 1250 |
| opt. type (page 2):> standard | - Max frequency.....: 60 kHz |
| - Contin. max RPM(**):> 6000 - - | - Max consumptions mA...: std 120 line driver 180 (*) |
| - Starting torque gcm> 2 - - | - Light source.....: LED with ≥ 100000 h life |

(°) IP according to CEI EN 60529, EN 60529, IEC 529

(*) custom options

(**) intermittent max RPM + 30% of continuous max RPM

ELECTRONICS

CODE	DESCRIPTION	mA	CODE	DESCRIPTION	mA	CODE	DESCRIPTION	mA	CODE	DESCRIPTION	mA
	STANDARD NPN	10	N	DRIVER 26LS31	30						
K	NPN OPEN COLL	10	T	TTL 7404	10						
Q	NPN	70	C	DRIVER 88C30	20						
R	NPN OPEN COLL	70									
P	PNP	70									
U	PNP OPEN COLL	70									
B	PUSH-PULL PRO	70									
H	PUSH-PULL	70									



Tolerance between phases $\pm 25^\circ$, symmetry $\pm 15^\circ$

(§) Clock-wise output rotation (see shaft).



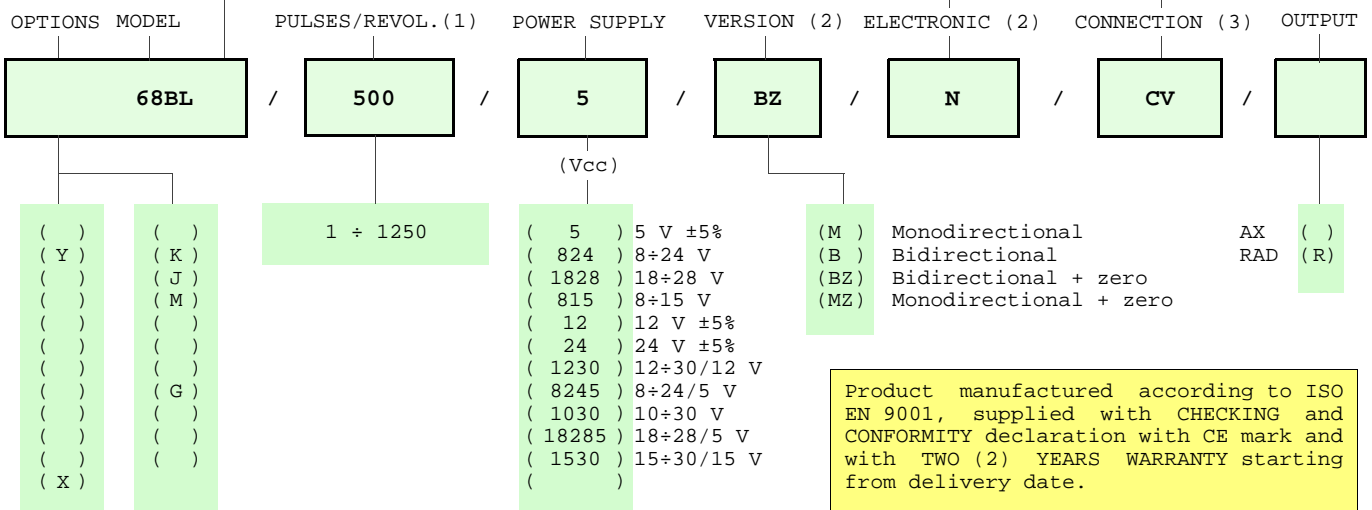
ELCIS s.r.l. Via Rosa Luxembourg 12/14 10093 COLLEGNO (TO) ITALY
Phone: +39 011 715577/78 a.r.
MAIL: ELCIS s.r.l. P.O.Box 90 10093 COLLEGNO (TO) ITALY

* <http://www.elcis.com>
* e-mail: info@elcis.com
* Fax: +39 011 712613

POSSIBLE OPTIONS				POSSIBLE CONNECTIONS				
CODE	DESCRIPTION	CODE	DESCRIPTION	CABLE			OUTPUT:	
Y	Unbreakable disk	K	Invert. phase A,B,Zero.	CV			AX RAD	
		J	Zero logic combination	CONNECTOR			OUTPUT:	
		M	Impregnated electronic	CM	SM	CL SL	CD CH CH5 CH6	AX RAD
		G	Tropicalization	CABLE END CONNECTOR			OUTPUT:	
X	Custom options			VM	TM	VL TL	VD VH VH5 VI VE VK TK VN VH6 VM5 VM9 VS VD5	AX RAD
				TERMINAL BOX			OUTPUT:	

ORDERING INFORMATION

		CABLE	CONNECTOR	CABLE END CONNECTOR
()	STANDARD NPN	IP65		IP65 encoder output
(K)	NPN OPEN COLL			
(Q)	NPN			
(R)	NPN OPEN COLL	(CV) 1 m long	(CM) 7c norm. IP65	(VM) 7c normal
(P)	PNP		(SM) 7c sealed IP66	(TM) 7c sealed
(U)	PNP OPEN COLL		(CL) 10c norm. IP65	(VL) 10c normal
(B)	PUSH-PULL PRO		(SL) 10c sealed IP66	(TL) 10c sealed
(H)	PUSH-PULL		(CD) 9c sub D IP63	(VD) 9c
(N)	DRIVER 26LS31	TERMINAL BOX	(CH) 12c ccw IP67	(VH) 12c anticlock.
(T)	TTL 7404	IP00	(CH5) 12c cw IP67	(VH5) 12c clock-wise
(C)	DRIVER 88C30			(VI) 12c crimped
()				(VE) 5c
()				(VK) 17c normal
()				(TK) 17c sealed
()				(VN) 12c
(X)	CUSTOM OPTION		(CH6) 12c cw IP67	(VH6) 12c clock-wise
()				(VM5) 26c
()				(VM9) 16c
()				(VS) 12c
()				(VD5) 9c screened




NOTE: FOR 88C30 MAX 15 Vdc

- (1) For further information see PULSES/REVOL. data sheet
- (2) For further information see ELECTRONIC data sheet
- (3) For further information see CONNECTION data sheet

ELCIS company has the right to make any changing without previous notice.

data sheet II057E00 page: 08. 68BL 1/2

	<p>ELCIS s.r.l. Via Rosa Luxembourg 12/14 10093 COLLEGNO (TO) ITALY Phone: +39 011 715577/78 a.r. MAIL: ELCIS s.r.l. P.O.Box 90 10093 COLLEGNO (TO) ITALY</p>	<p>* http://www.elcis.com * e-mail: info@elcis.com * Fax: +39 011 712613</p>
--	---	---