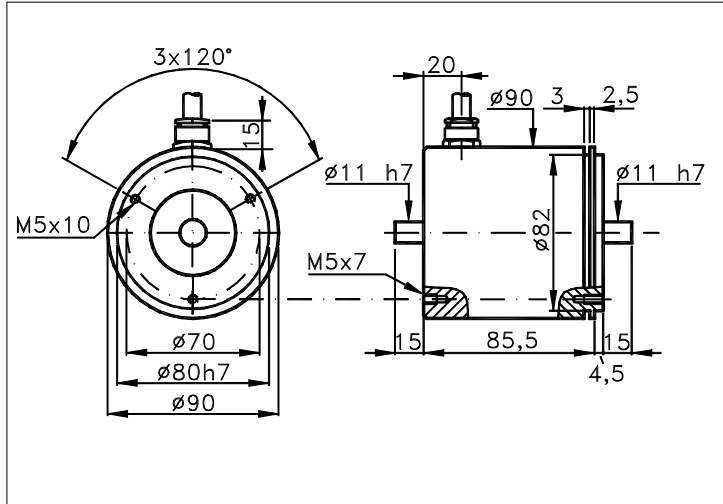


90B

Sized draw standard version: CW R Measures without tolerance according to UNI ISO 2768-mk



TECHNICAL FEATURES AND POSSIBLE CONFIGURATIONS

- Base.....: ANODIZED ALUMINIUM (*)
- Cover.....: ANODIZED ALUMINIUM (*)
- Weight.....: 870 g
- Shaft.....: Ø 11 STAINLESS STEEL (*)
- Max.rad/axial load.: 8 kg
- IP output side.(°): see 'CONNECTION' of page 2
- IP shaft side.(°):> std. 64 | sealed 65 | low torq. -
opt. type (page 2):> standard | Z
- Contin. max RPM(**):> 6000 | 3000 | -
- Starting torque gcm> 45 | 90 | -
- Ball bearings life....: 1,5 x 10⁹ revolutions
- Impact resistance....: 50 G x 11ms
- Vibration resistance.: 12 G (10 ÷ 2000 Hz)
- Power supply.....: 5÷30V (see page 2)
- Operating temperature: 0 ÷ 70 °C (*)
- Storage temperature...: -30 ÷ 85 °C
- N° of pulses/rev.....: 1 ÷ 3600
- Max frequency.....: 100 kHz (160 option)
- Max consumptions mA...: std 120 line driver 180 (*)
- Light source.....: LED with >= 100000 h life

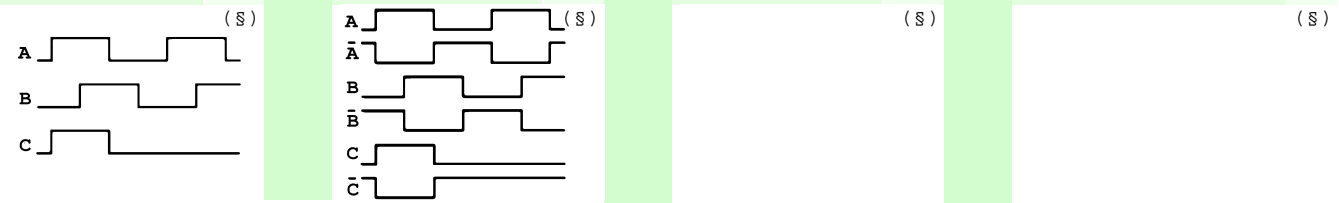
(°) IP according to CEI EN 60529, EN 60529, IEC 529

(*) custom options

(**) intermittent max RPM + 30% of continuous max RPM

ELECTRONICS

CODE	DESCRIPTION	mA	CODE	DESCRIPTION	mA	CODE	DESCRIPTION	mA	CODE	DESCRIPTION	mA
	STANDARD NPN	10	N	DRIVER 26LS31	30						
K	NPN OPEN COLL	10	T	TTL 7404	10						
Q	NPN	70	C	DRIVER 88C30	20						
R	NPN OPEN COLL	70									
P	PNP	70									
U	PNP OPEN COLL	70									
B	PUSH-PULL PRO	70									
H	PUSH-PULL	70									



Tolerance between phases ± 25° , symmetry ± 15°

(S) Clock-wise output rotation (see shaft).

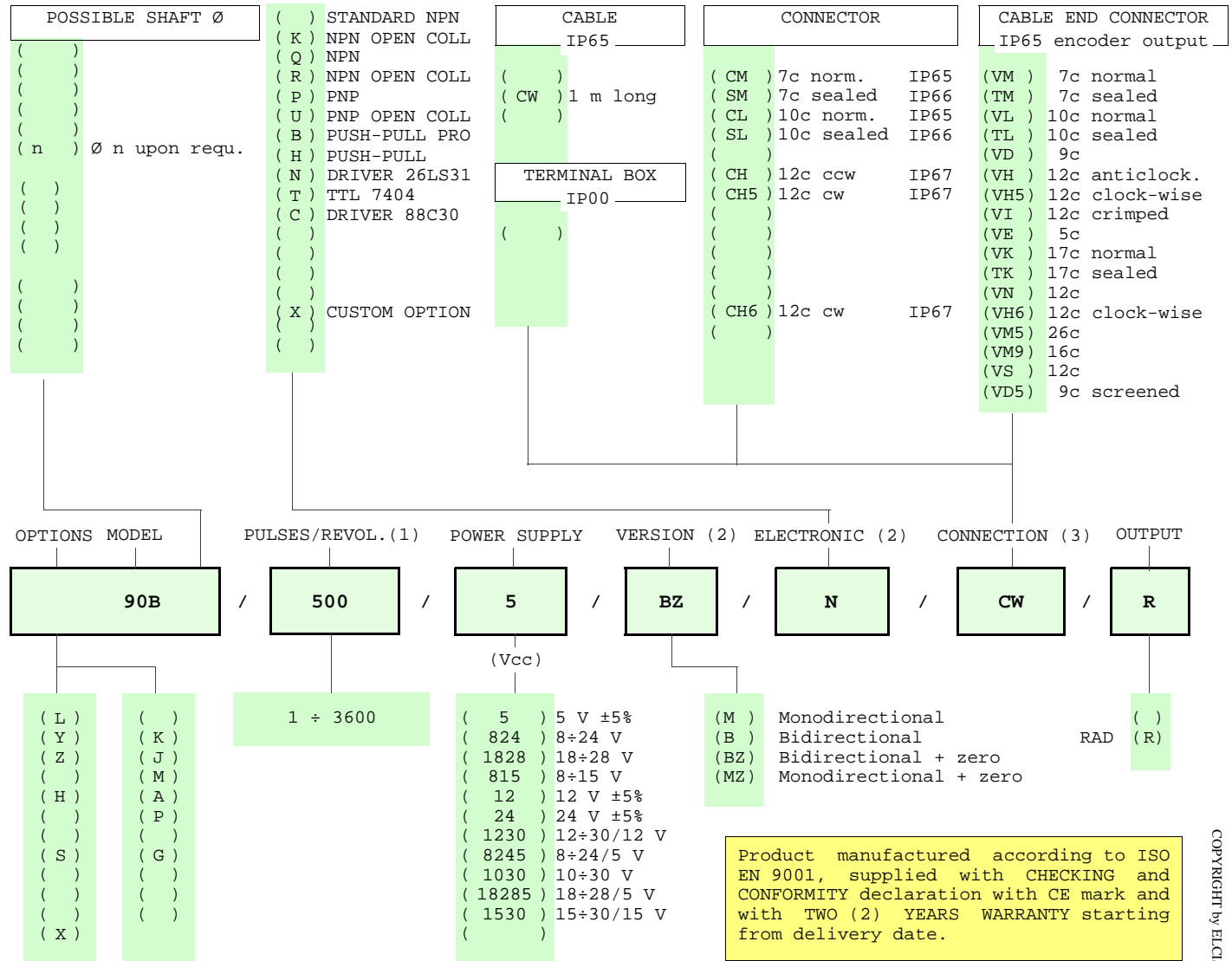


ELCIS s.r.l. Via Rosa Luxembourg 12/14 10093 COLLEGNO (TO) ITALY
Phone: +39 011 715577/78 a.r.
MAIL: ELCIS s.r.l. P.O.Box 90 10093 COLLEGNO (TO) ITALY

* <http://www.elcis.com>
* e-mail: info@elcis.com
* Fax: +39 011 712613

POSSIBLE OPTIONS				POSSIBLE CONNECTIONS			
CODE	DESCRIPTION	CODE	DESCRIPTION	CABLE			OUTPUT:
L	Low temperature	K	Invert. phase A,B,Zero.	CW			RAD
Y	Unbreakable disk	J	Zero logic combination	CONNECTOR			OUTPUT:
Z	Sealed ball bearing	M	Impregnated electronic	CM	SM	CL SL	CH CH5
H	Different shaft Ø	A	High temperature	CH6			RAD
S	160 KHz frequency	P	Compressed air attack	CABLE END CONNECTOR			OUTPUT:
X	Custom options	G	Tropicalization	VM	TM	VL TL	VD VH
				VE	VK	TK VN	VH6 VM5 VM9 VS
				VD5			RAD
				TERMINAL BOX			OUTPUT:

ORDERING INFORMATION



(1) For further information see PULSES/REVOL. data sheet
 (2) For further information see ELECTRONIC data sheet
 (3) For further information see CONNECTION data sheet

	ELCIS s.r.l. Via Rosa Luxembourg 12/14 10093 COLLEGNO (TO) ITALY Phone: +39 011 715577/78 a.r. MAIL: ELCIS s.r.l. P.O.Box 90 10093 COLLEGNO (TO) ITALY	* http://www.elcis.com * e-mail: info@elcis.com * Fax: +39 011 712613
--	--	--

COPYRIGHT by ELCIS - Collegno (TO)