



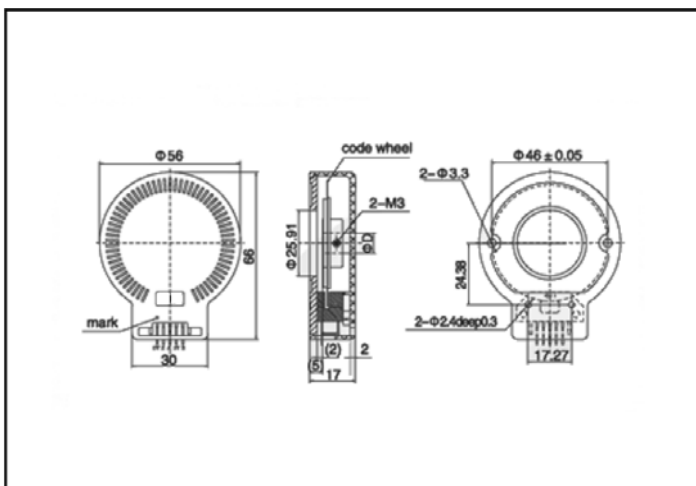
ENCODER IN 'KIT' VERSION. LOW INERTIA, UN-SUPPORTED DISC FOR USE ON  
BALANCES OR MOTORS.  
DISC SUPPORTING HUB DIAMETER FROM 6 TO 20 mm.

INCREMENTAL  
ENCODER

**56BL**

Family: I Data sheet . II 147E0A

Sized draw standard version: CP5 R Measures without tolerance according to UNI ISO 2768-mk

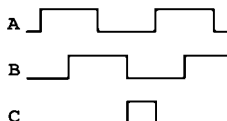


**TECHNICAL FEATURES AND POSSIBLE CONFIGURATIONS**

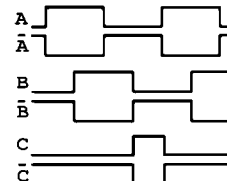
- Base.....: PLASTIC
- Cover.....: PLASTIC
- Weight.....: 30 g
- Shaft.....: Ø 6÷20 HOLLOW ALUMINIUM (\*)
- Max.rad/axial load.: ---
- IP degree.....(°): std. 52
- Starting torque gcm: -
- (°) IP according to CEI EN 60529, EN 60529, IEC 529
- (\*) custom options
- Impact resistance.....: 100 G x 6ms
- Vibration resistance.: 5 G (10 ÷ 200 Hz x 2h)
- Power supply.....: 5V ±10%
- Operating temperature.: -25÷85 °C
- Storage temperature...: -40÷110 °C
- N° of pulses/rev.....: 1000, 1024, 2000, 2048
- Max frequency.....: 100 kHz
- Max consumptions mA.: std 60

**ELECTRONICS**

CODE	DESCRIPTION	mA
	STANDARD NPN	10



CODE	DESCRIPTION	mA
N	LINE DRIVER	30



**ORDERING INFORMATION**

OPTIONS	MODEL	SHAFT	PULSES/REVOL.	POWER SUPPLY	VERSION	ELECTRONIC	CONNECTION	OUTPUT
( X ) Custom options	56BL	10 Ø 6 ( 6 ) Ø 8 ( 8 ) Ø 10 ( 10 ) Ø 15 ( 15 ) Ø 20 ( 20 )	1024 1000, 1024, 2000, 2048	5 ( 5 ) ( )	BZ	N ( ) STANDARD NPN ( N ) LINE DRIVER ( )	CP5 Flat cable 8 wires (C8C) 5 p. module (CP5)	R ( ) ( R )

COPYRIGHT by Elcis encoder - Collegno (TO)

Elcis encoder s.r.l. Via Rosa Luxembourg 12/14 10093 COLLEGNO (TO) ITALY  
Phone: +39 011 715577/78 r.a.  
Mail: Elcis encoder s.r.l. P.O.Box 70 10093 COLLEGNO (TO) ITALY

\* <http://www.elcis.com>  
\* e-mail: [info@elcis.com](mailto:info@elcis.com)  
\* Fax: +39 011 712613