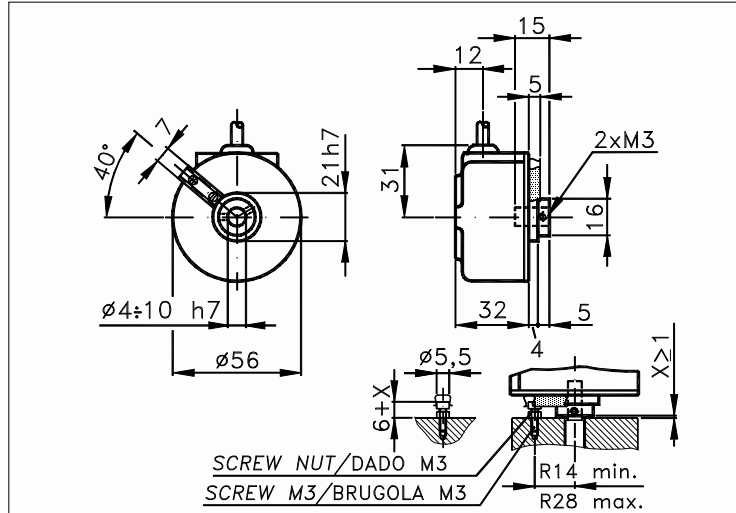


Sized draw standard version: CV Measures without tolerance according to UNI ISO 2768-mk



TECHNICAL FEATURES AND POSSIBLE CONFIGURATIONS

- | | |
|---|--|
| - Base.....: COMPOSITE MATERIAL (*) | - Ball bearings life...: $1,5 \times 10^9$ revolutions |
| - Cover.....: VALOX 420 (*) | - Impact resistance....: 50 G x 11ms |
| - Weight.....: 95 g | - Vibration resistance..: 12 G (10 ÷ 2000 Hz) |
| - Shaft.....: $\phi 4 \pm 10$ HOLLOW STAINL.STEEL (*) | - Power supply.....: 5÷30V (see page 2) |
| - Max.rad/axial load.: 1 kg | - Operating temperature: 0 ÷ 60 °C (*) |
| - IP output side.(°): see 'CONNECTION' of page 2 | - Storage temperature...: -30 ÷ 85 °C |
| - IP shaft side..(°)> std. 53 sealed 65 low torq. - | - N° of pulses/rev.....: 1 ÷ 1024 |
| opt. type (page 2)> standard Z | - Max frequency.....: 60 kHz |
| - Contin. max RPM(**)> 6000 3000 - | - Max consumptions mA...: std 120 line driver 180 (*) |
| - Starting torque gcm> 15 30 - | - Light source.....: LED with ≥ 100000 h life |
- (°) IP according to CEI EN 60529, EN 60529, IEC 529
(*) custom options
(**) intermittent max RPM + 30% of continuous max RPM

ELECTRONICS

CODE	DESCRIPTION	mA	CODE	DESCRIPTION	mA	CODE	DESCRIPTION	mA	CODE	DESCRIPTION	mA
K	STANDARD NPN	10	N	DRIVER 26LS31	30						
	NPN OPEN COLL	10	C	DRIVER 88C30	20						
R	NPN OPEN COLL	70									
B	PUSH-PULL PRO	70									
H	PUSH-PULL	70									

(§)

(§)

(§)

(§)

Tolerance between phases $\pm 35^\circ$, symmetry $\pm 15^\circ$

(§) Clock-wise output rotation (see shaft).

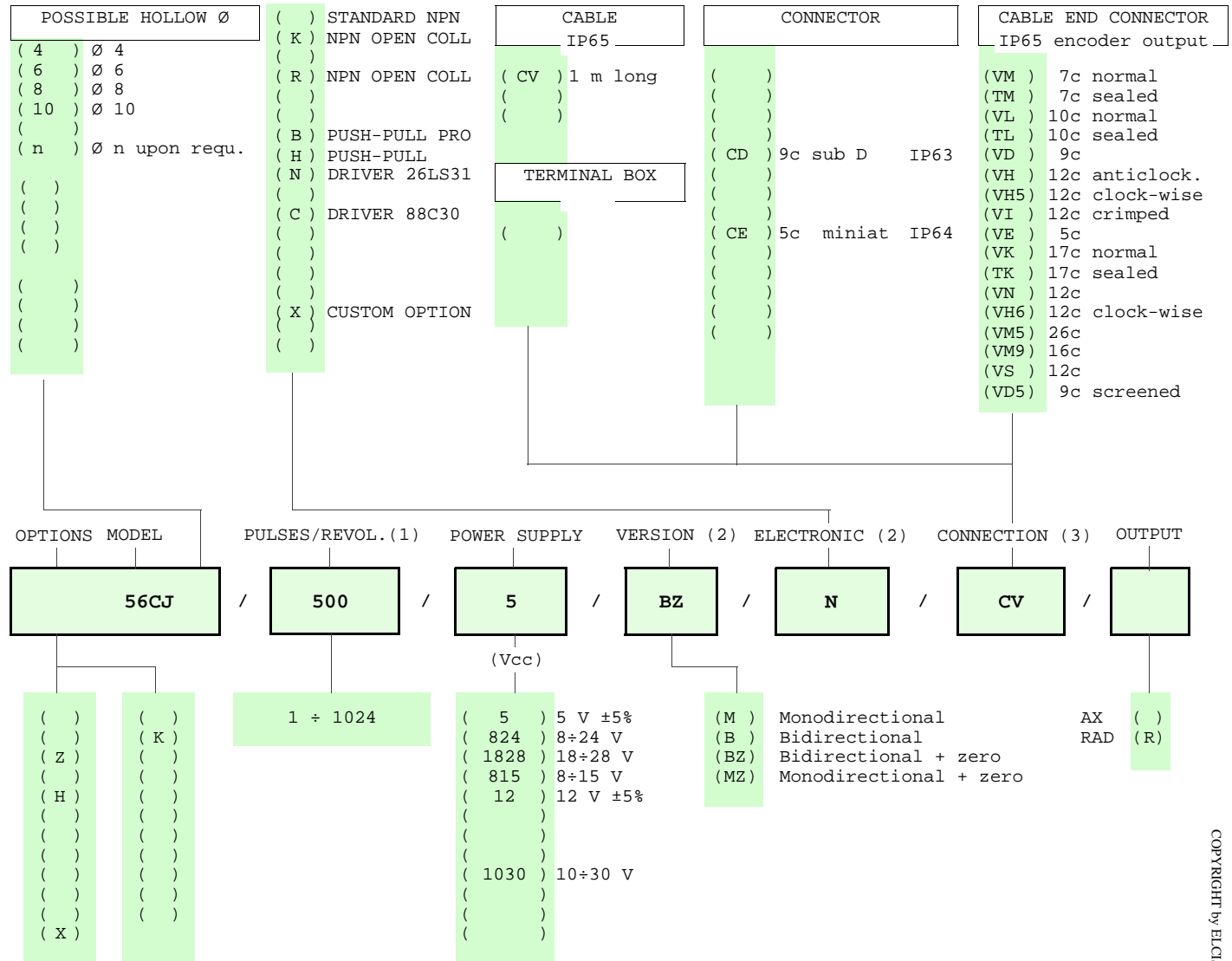


ELCIS s.r.l. Via Rosa Luxembourg 12/14 10093 COLLEGNO (TO) ITALY
Phone: +39 011 715577/78 a.r.
MAIL: ELCIS s.r.l. P.O.Box 90 10093 COLLEGNO (TO) ITALY

* <http://www.elcis.com>
* e-mail: info@elcis.com
* Fax: +39 011 712613

POSSIBLE OPTIONS				POSSIBLE CONNECTIONS								
CODE	DESCRIPTION	CODE	DESCRIPTION									
Z	Sealed ball bearing	K	Invert. phase A,B,Zero.	CABLE				OUTPUT:				
H	Different shaft Ø			CV				AX RAD				
				CONNECTOR				OUTPUT:				
				CE	CD			AX RAD				
				CABLE END CONNECTOR				OUTPUT:				
X	Custom options			VM	TM	VL	TL	VD	VH	VH5	VI	AX
				VE	VK	TK	VN	VH6	VM5	VM9	VS	RAD
				VD5								
				TERMINAL BOX				OUTPUT:				


ORDERING INFORMATION



NOTE: FOR 88C30 MAX 15 Vdc

Product manufactured according to UNI EN ISO 9001:2000, supplied with CHECKING and CONFORMITY declaration with CE mark and with TWO (2) YEARS WARRANTY starting from delivery date.

- (1) For further information see PULSES/REVOL. data sheet
- (2) For further information see ELECTRONIC data sheet
- (3) For further information see CONNECTION data sheet

	ELCIS s.r.l. Via Rosa Luxembourg 12/14 10093 COLLEGNO (TO) ITALY	* http://www.elcis.com
	Phone: +39 011 715577/78 a.r.	* e-mail: info@elcis.com
	MAIL: ELCIS s.r.l. P.O.Box 90 10093 COLLEGNO (TO) ITALY	* Fax: +39 011 712613

COPYRIGHT by ELCIS - Collegno (TO)