



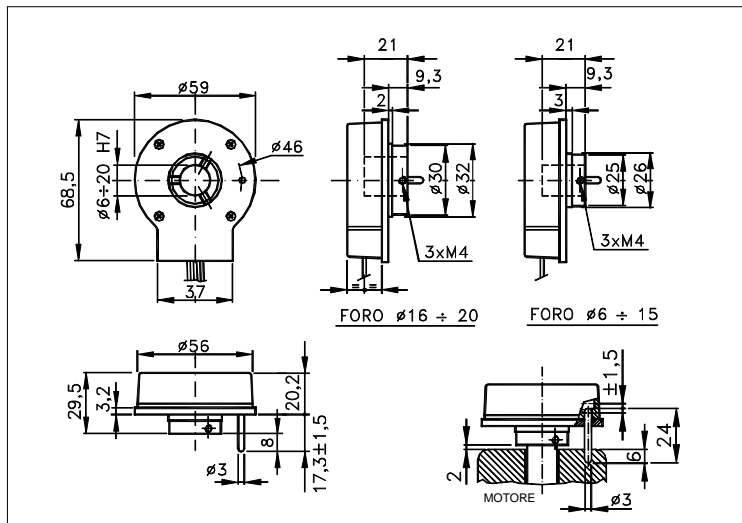
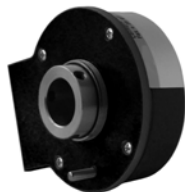
PATENTED MINIATURE ENCODER WITH HOLLOW SHAFT AND WITH VERY LOW COST. FITTED FOR APPLICATIONS ON MOTORS WHERE THE PRICE PLAYS AN INSTRUMENTAL ROLE. TANGENTIAL COUPLING INCLUDED.

INCREMENTAL ENCODER

59EC

Family: I Data sheet . II 164E0A

Sized draw standard version: C8C R Measures without tolerance according to UNI ISO 2768-mk
 Max joint compensation: axial ± 0,15mm, radial ±0,05mm, angular ± 1°



TECHNICAL FEATURES AND POSSIBLE CONFIGURATIONS

- Base.....: COMPOSITE MATERIAL
- Cover.....: PLASTIC
- Weight.....: 90 g
- Shaft.....: $\phi 6 \pm 0.02$ HOLLOW ALUMINIUM (*)
- Max.rad/axial load.: 1,5 N
- IP degree.....(°): std. 53
- Starting torque gcm: 15
- (°) IP according to CEI EN 60529, EN 60529, IEC 529
- (*) custom options
- Impact resistance.....: 50 G x 11ms
- Vibration resistance.: 5 G (10 ÷ 200 Hz x 2h)
- Power supply.....: 5V, 5+30V
- Operating temperature: -25+85 °C
- Storage temperature...: -40+110 °C
- N° of pulses/rev.....: 1000, 1024, 2000, 2048
- Max frequency.....: 100 kHz
- Max consumptions mA.: std 60

ELECTRONICS

CODE	DESCRIPTION	mA	A	CODE	DESCRIPTION	mA	A
	STANDARD NPN	10		N	LINE DRIVER	30	
				Z	LINE DRIVER	30	

ORDERING INFORMATION

OPTIONS	MODEL	SHAFT	PULSES/REVOL.	POWER SUPPLY	VERSION	ELECTRONIC	CONNECTION	OUTPUT
(X) Custom options	59EC	10	1024	5	BZ	N	C8C	R
	$\phi 6$ (6) $\phi 8$ (8) $\phi 10$ (10) $\phi 15$ (15) $\phi 20$ (20)		1000, 1024, 2000, 2048	(5) 5V for elect.() or (530) 5+30V only electr.(Z)		() STANDARD NPN (N) LINE DRIVER (Z) LINE DRIVER	Flat cable 8 wires (C8C) 1 m long cable (CV) 5 p. module (CP5)	() (R)

COPYRIGHT by Elcis encoder - Collegno (TO)

Elcis encoder s.r.l. Via Rosa Luxembourg 12/14 10093 COLLEGNO (TO) ITALY
 Phone: +39 011 715577/78 r.a.
 Mail: Elcis encoder s.r.l. P.O.Box 70 10093 COLLEGNO (TO) ITALY

* <http://www.elcis.com>
 * e-mail: info@elcis.com
 * Fax: +39 011 712613