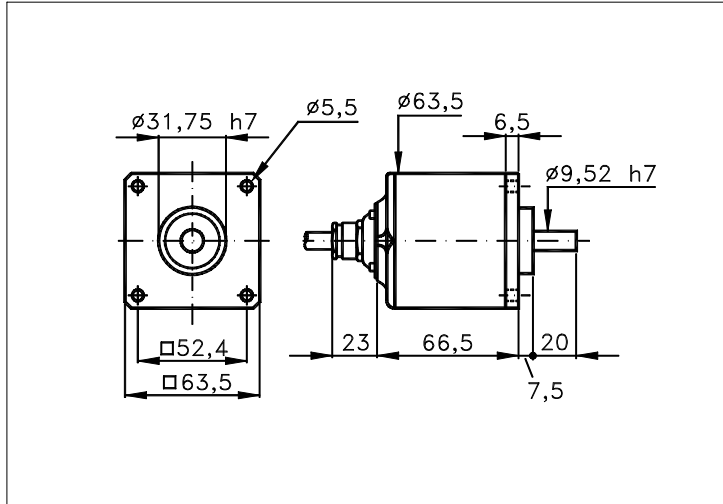


Sized draw standard version: CW Measures without tolerance according to UNI ISO 2768-mk

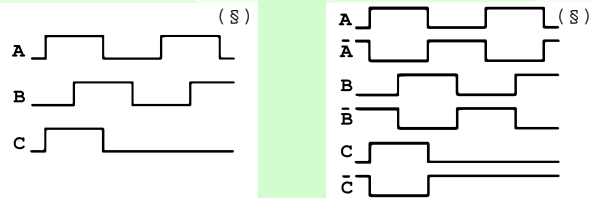


TECHNICAL FEATURES AND POSSIBLE CONFIGURATIONS

- Base.....: ALUMINIUM (\*)
  - Cover.....: VALOX 420 (\*)
  - Weight.....: 570 g
  - Shaft.....: Ø 9,52 STAINLESS STEEL (\*)
  - Max.rad/axial load.: 10 kg
  - IP output side.(°): see 'CONNECTION' of page 2
  - IP shaft side.(°)> std. 65 | sealed 66 | low torq. 53
  - opt. type (page 2)> standard | Z | B
  - Contin. max RPM(\*\*)> 6000 | 3000 | 12000
  - Starting torque gcm> 18 | 30 | 8
  - Ball bearings life....: 1,5 x 10<sup>9</sup> revolutions
  - Impact resistance....: 50 G x 11ms
  - Vibration resistance.: 12 G (10 ÷ 2000 Hz)
  - Power supply.....: 5÷30V (see page 2)
  - Operating temperature: 0 ÷ 60 °C (\*)
  - Storage temperature...: -30 ÷ 85 °C
  - N° of pulses/rev.....: 1 ÷ 3600
  - Max frequency.....: 100 kHz (300 option)
  - Max consumptions mA...: std 120 line driver 180 (\*)
  - Light source.....: LED with >= 100000 h life
- (°) IP according to CEI EN 60529, EN 60529, IEC 529  
(\*) custom options  
(\*\*) intermittent max RPM + 30% of continuous max RPM

ELECTRONICS

| CODE | DESCRIPTION   | mA | CODE | DESCRIPTION   | mA | CODE | DESCRIPTION | mA | CODE | DESCRIPTION | mA |
|------|---------------|----|------|---------------|----|------|-------------|----|------|-------------|----|
|      | STANDARD NPN  | 10 | N    | DRIVER 26LS31 | 30 |      |             |    |      |             |    |
| K    | NPN OPEN COLL | 10 | T    | TTL 7404      | 10 |      |             |    |      |             |    |
| Q    | NPN           | 70 | C    | DRIVER 88C30  | 20 |      |             |    |      |             |    |
| R    | NPN OPEN COLL | 70 | L    | 2x PUSH-P.PRO | 70 |      |             |    |      |             |    |
| P    | PNP           | 70 | M    | 2x PUSH-PULL  | 70 |      |             |    |      |             |    |
| U    | PNP OPEN COLL | 70 |      |               |    |      |             |    |      |             |    |
| B    | PUSH-PULL PRO | 70 |      |               |    |      |             |    |      |             |    |
| H    | PUSH-PULL     | 70 |      |               |    |      |             |    |      |             |    |



Tolerance between phases ± 35°, symmetry ± 15°

(S) Clock-wise output rotation (see shaft).



ELCIS s.r.l. Via Rosa Luxembourg 12/14 10093 COLLEGNO (TO) ITALY  
Phone: +39 011 715577/78 a.r.  
MAIL: ELCIS s.r.l. P.O.Box 90 10093 COLLEGNO (TO) ITALY

\* <http://www.elcis.com>  
\* e-mail: [info@elcis.com](mailto:info@elcis.com)  
\* Fax: +39 011 712613

| POSSIBLE OPTIONS |                       |      |                         | POSSIBLE CONNECTIONS |    |    |    |           |     |     |         |           |
|------------------|-----------------------|------|-------------------------|----------------------|----|----|----|-----------|-----|-----|---------|-----------|
| CODE             | DESCRIPTION           | CODE | DESCRIPTION             | CABLE                |    |    |    | OUTPUT:   |     |     |         |           |
| Y                | Unbreakable disk      | C    | Low consumption         | CW                   |    |    |    | AX<br>RAD |     |     |         |           |
| Z                | Sealed ball bearing   | K    | Invert. phase A,B,Zero. | CONNECTOR            |    |    |    | OUTPUT:   |     |     |         |           |
| B                | Low torque ball bear. | J    | Zero logic combination  | CM                   | SM | CL | SL | CD        | CH  | CH5 | CI      | AX<br>RAD |
| H                | Different shaft Ø     | M    | Impregnated electronic  | CE                   | CK | SK | C4 | CH6       |     |     |         | OUTPUT:   |
|                  |                       | P    | Compressed air attack   | CABLE END CONNECTOR  |    |    |    | OUTPUT:   |     |     |         |           |
| S                | 160 KHz frequency     | Q    | Oil seal                | VM                   | TM | VL | TL | VD        | VH  | VH5 | VI      | AX<br>RAD |
| W                | 300 KHz frequency     | G    | Tropicalization         | VE                   | VK | TK | VN | VH6       | VM5 | VM9 | VS      | RAD       |
|                  |                       | D    | Double oring            | VD5                  |    |    |    |           |     |     | OUTPUT: |           |
| X                | Custom options        |      |                         | TERMINAL BOX         |    |    |    | OUTPUT:   |     |     |         |           |
|                  |                       |      |                         | MS                   |    |    |    | AX        |     |     |         |           |

### ORDERING INFORMATION

| POSSIBLE SHAFT Ø | STANDARD NPN        | CABLE           | CONNECTOR              | CABLE END CONNECTOR    |
|------------------|---------------------|-----------------|------------------------|------------------------|
| ( 8 ) Ø 8        | ( K ) NPN OPEN COLL | IP65            | ( CM ) 7c norm. IP65   | ( VM ) 7c normal       |
| ( 10 ) Ø 10      | ( Q ) NPN           | ( CW ) 1 m long | ( SM ) 7c sealed IP66  | ( TM ) 7c sealed       |
| ( )              | ( R ) NPN OPEN COLL | ( )             | ( CL ) 10c norm. IP65  | ( VL ) 10c normal      |
| ( )              | ( P ) PNP           | ( )             | ( SL ) 10c sealed IP66 | ( TL ) 10c sealed      |
| ( )              | ( U ) PNP OPEN COLL |                 | ( CD ) 9c sub D IP63   | ( VD ) 9c              |
| ( )              | ( B ) PUSH-PULL PRO | TERMINAL BOX    | ( CH ) 12c ccw IP67    | ( VH ) 12c anticlock.  |
| ( )              | ( H ) PUSH-PULL     | IP00            | ( CH5 ) 12c cw IP67    | ( VH5 ) 12c clock-wise |
| ( )              | ( N ) DRIVER 26LS31 | ( MS ) Phoenix  | ( CI ) 12c crimp. IP64 | ( VI ) 12c crimped     |
| ( )              | ( T ) TTL 7404      |                 | ( CE ) 5c miniat IP64  | ( VE ) 5c              |
| ( )              | ( C ) DRIVER 88C30  |                 | ( CK ) 17c norm. IP65  | ( VK ) 17c normal      |
| ( )              | ( L ) 2x PUSH-P.PRO |                 | ( SK ) 17c sealed IP66 | ( TK ) 17c sealed      |
| ( )              | ( M ) 2x PUSH-PULL  |                 | ( C4 ) 4c screw IP65   | ( VN ) 12c             |
| ( )              | ( X ) CUSTOM OPTION |                 | ( CH6 ) 12c cw IP67    | ( VH6 ) 12c clock-wise |
| ( )              |                     |                 |                        | ( VM5 ) 26c            |
| ( )              |                     |                 |                        | ( VM9 ) 16c            |
| ( )              |                     |                 |                        | ( VS ) 12c             |
| ( )              |                     |                 |                        | ( VD5 ) 9c screened    |

| OPTIONS MODEL | PULSES/REVOL. (1) | POWER SUPPLY        | VERSION (2)                   | ELECTRONIC (2) | CONNECTION (3) | OUTPUT    |
|---------------|-------------------|---------------------|-------------------------------|----------------|----------------|-----------|
| <b>63E</b>    | <b>500</b>        | <b>5</b>            | <b>BZ</b>                     | <b>N</b>       | <b>CW</b>      |           |
| ( ) ( C )     | 1 ÷ 3600          | ( Vcc )             | ( M ) Monodirectional         |                |                | AX ( )    |
| ( Y ) ( K )   |                   | ( 5 ) 5 V ±5%       | ( B ) Bidirectional           |                |                | RAD ( R ) |
| ( Z ) ( J )   |                   | ( 824 ) 8÷24 V      | ( BZ ) Bidirectional + zero   |                |                |           |
| ( B ) ( M )   |                   | ( 1828 ) 18÷28 V    | ( MZ ) Monodirectional + zero |                |                |           |
| ( H ) ( )     |                   | ( 815 ) 8÷15 V      |                               |                |                |           |
| ( ) ( P )     |                   | ( 12 ) 12 V ±5%     |                               |                |                |           |
| ( ) ( Q )     |                   | ( 24 ) 24 V ±5%     |                               |                |                |           |
| ( ) ( G )     |                   | ( 1230 ) 12÷30/12 V |                               |                |                |           |
| ( S ) ( D )   |                   | ( 8245 ) 8÷24/5 V   |                               |                |                |           |
| ( W ) ( )     |                   | ( 1030 ) 10÷30 V    |                               |                |                |           |
| ( ) ( )       |                   | ( 18285 ) 18÷28/5 V |                               |                |                |           |
| ( ) ( )       |                   | ( 1530 ) 15÷30/15 V |                               |                |                |           |
| ( X ) ( )     |                   | ( )                 |                               |                |                |           |

Product manufactured according to ISO EN 9001, supplied with CHECKING and CONFORMITY declaration with CE mark and with TWO (2) YEARS WARRANTY starting from delivery date.

NOTE: FOR 88C30 MAX 15 Vcc

- (1) For further information see PULSES/REVOL. data sheet  
 (2) For further information see ELECTRONIC data sheet  
 (3) For further information see CONNECTION data sheet

|  |   |   |
|--|---|---|
|  | <p>ELCIS s.r.l. Via Rosa Luxembourg 12/14 10093 COLLEGNO (TO) ITALY<br/>         Phone: +39 011 715577/78 a.r.<br/>         MAIL: ELCIS s.r.l. P.O.Box 90 10093 COLLEGNO (TO) ITALY</p> | <p>* <a href="http://www.elcis.com">http://www.elcis.com</a><br/>         * e-mail: <a href="mailto:info@elcis.com">info@elcis.com</a><br/>         * Fax: +39 011 712613</p> |
|--|---|---|

COPYRIGHT by ELCIS - Collegno (TO)