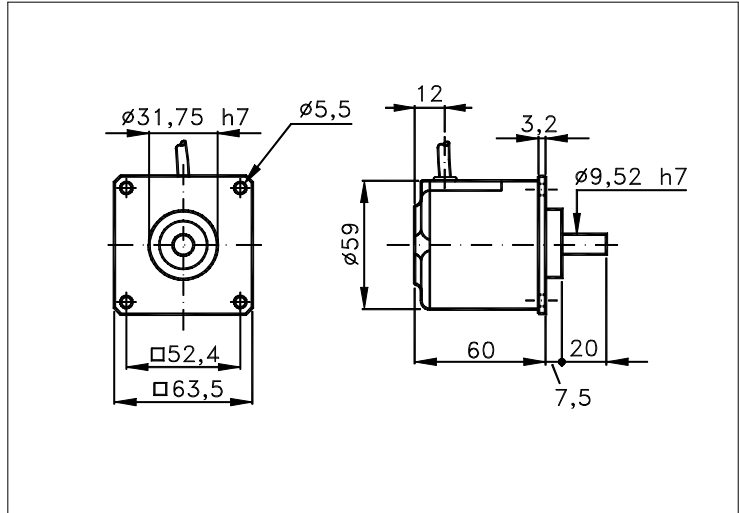


Sized draw standard version: CV R Measures without tolerance according to UNI ISO 2768-mk



TECHNICAL FEATURES AND POSSIBLE CONFIGURATIONS

- Base.....: COMPOSITE MATERIAL (*)
 - Cover.....: VALOX 420 (*)
 - Weight.....: 155 g
 - Shaft.....: Ø 9,52 STAINLESS STEEL (*)
 - Max.rad/axial load.: 3 kg
 - IP output side.(°): see 'CONNECTION' of page 2
 - IP shaft side.(°)> std. 54 | sealed 65 | low torq. -
 - opt. type (page 2)> standard | Z
 - Contin. max RPM(**)> 6000 | 3000 | -
 - Starting torque gcm> 18 | 30 | -
 - Ball bearings life....: 1,5 x 10⁹ revolutions
 - Impact resistance....: 50 G x 11ms
 - Vibration resistance.: 12 G (10 ÷ 2000 Hz)
 - Power supply.....: 5÷30V (see page 2)
 - Operating temperature: 0 ÷ 60 °C (*)
 - Storage temperature..: -30 ÷ 85 °C
 - N° of pulses/rev.....: 1 ÷ 1024
 - Max frequency.....: 60 kHz
 - Max consumptions mA.: std 120 line driver 180 (*)
 - Light source.....: LED with >= 100000 h life
- (°) IP according to CEI EN 60529, EN 60529, IEC 529
 (*) custom options
 (**) intermittent max RPM + 30% of continuous max RPM

ELECTRONICS

CODE	DESCRIPTION	mA	CODE	DESCRIPTION	mA	CODE	DESCRIPTION	mA	CODE	DESCRIPTION	mA
K	STANDARD NPN	10	N	DRIVER 26LS31	30						
	NPN OPEN COLL	10	C	DRIVER 88C30	20						
R	NPN OPEN COLL	70									
B	PUSH-PULL PRO	70									
H	PUSH-PULL	70									

Tolerance between phases ± 35° , symmetry ± 15°
 (§) Clock-wise output rotation (see shaft).

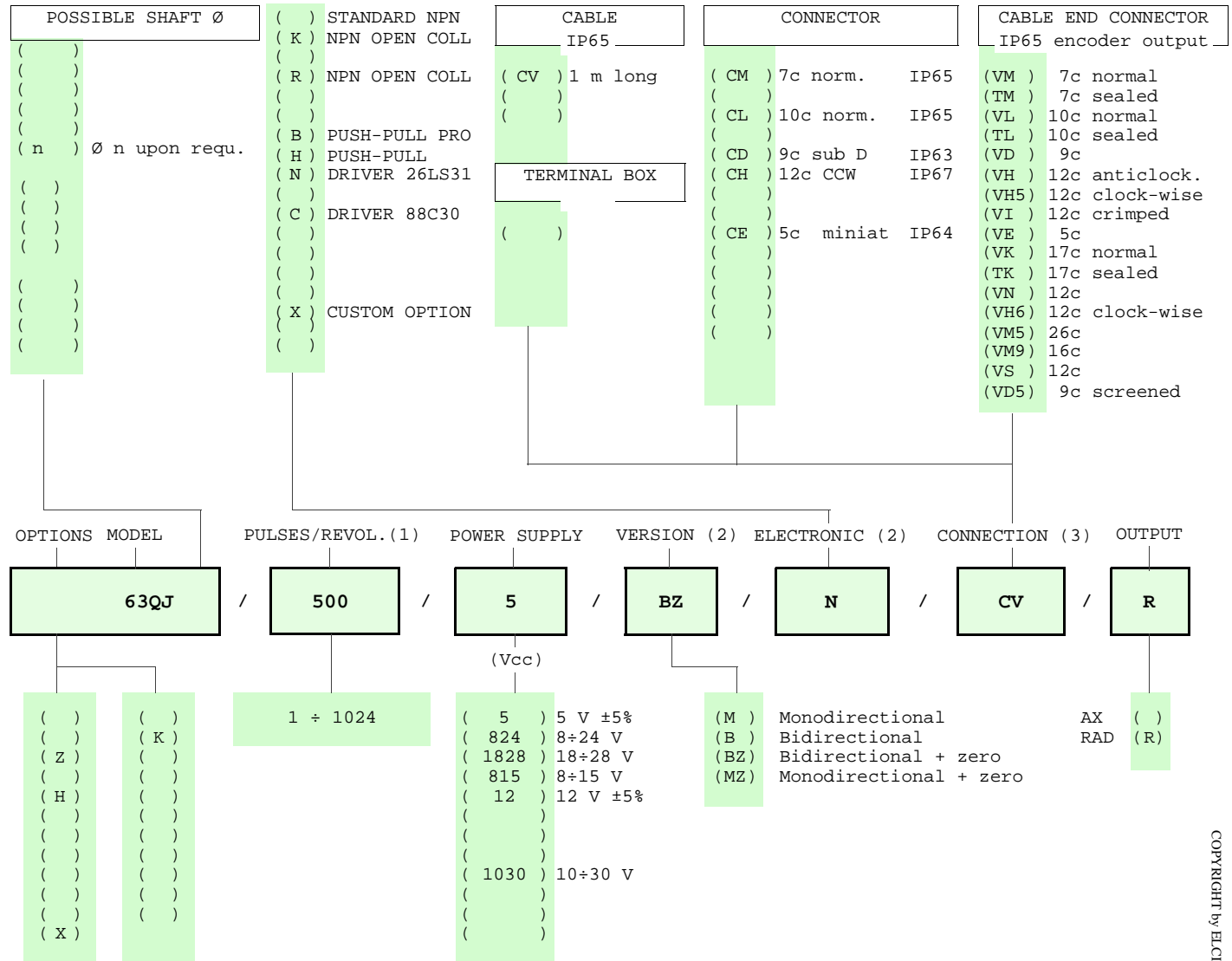


ELCIS s.r.l. Via Rosa Luxembourg 12/14 10093 COLLEGNO (TO) ITALY
 Phone: +39 011 715577/78 a.r.
 MAIL: ELCIS s.r.l. P.O.Box 90 10093 COLLEGNO (TO) ITALY

* <http://www.elcis.com>
 * e-mail: info@elcis.com
 * Fax: +39 011 712613

POSSIBLE OPTIONS				POSSIBLE CONNECTIONS					
CODE	DESCRIPTION	CODE	DESCRIPTION	CABLE			OUTPUT:		
Z	Sealed ball bearing	K	Invert. phase A,B,Zero.	CV			AX RAD		
H	Different shaft Ø			CONNECTOR			OUTPUT:		
				CM CE	CL	CD CH	AX RAD		
				CABLE END CONNECTOR			OUTPUT:		
X	Custom options			VM VE VD5	TM VK	VL TK VN	TL VN	VD VH VM5 VM9 VS	AX RAD
				TERMINAL BOX			OUTPUT:		


ORDERING INFORMATION



NOTE: FOR 88C30 MAX 15 Vdc

Product manufactured according to UNI EN ISO 9001:2000 supplied with CHECKING and CONFORMITY declaration with CE mark and with TWO (2) YEARS WARRANTY starting from delivery date.

- (1) For further information see PULSES/REVOL. data sheet
- (2) For further information see ELECTRONIC data sheet
- (3) For further information see CONNECTION data sheet

	ELCIS s.r.l. Via Rosa Luxembourg 12/14 10093 COLLEGNO (TO) ITALY	* http://www.elcis.com
	Phone: +39 011 715577/78 a.r.	* e-mail: info@elcis.com
	MAIL: ELCIS s.r.l. P.O.Box 90 10093 COLLEGNO (TO) ITALY	* Fax: +39 011 712613

COPYRIGHT by ELCIS - Collegno (TO)