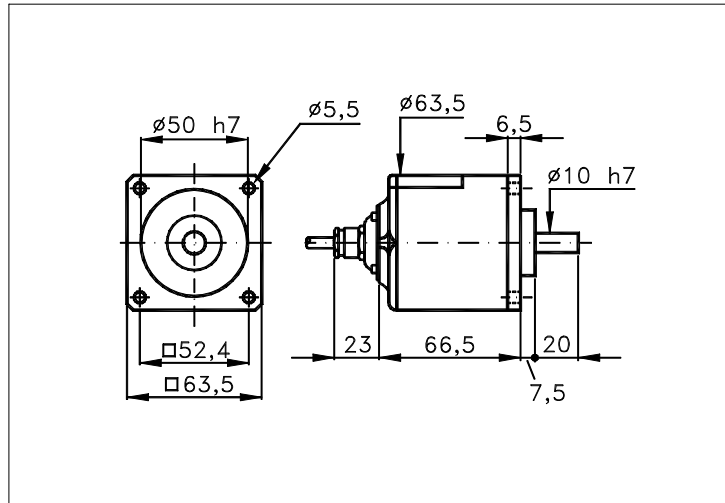


63TE

Sized draw standard version: CV Measures without tolerance according to UNI ISO 2768-mk



TECHNICAL FEATURES AND POSSIBLE CONFIGURATIONS

- Base.....: ALUMINIUM (*)
 - Cover.....: VALOX 420 (*)
 - Weight.....: 500 g
 - Shaft.....: $\varnothing 10$ STAINLESS STEEL (*)
 - Max.rad/axial load.: 8 kg
 - IP output side.(°): see 'CONNECTION' of page 2
 - IP shaft side.(°).> std. 65 | sealed 66 | low torq. -
 - opt. type (page 2).> standard | Z
 - Contin. max RPM(**)> 6000 | 3000 | -
 - Starting torque gcm> 20 | 30 | -
 - Ball bearings life....: $1,5 \times 10^9$ revolutions
 - Impact resistance....: 50 G x 11ms
 - Vibration resistance.: 12 G (10 ÷ 2000 Hz)
 - Power supply.....: 5÷30V (see page 2)
 - Operating temperature: 0 ÷ 70 °C (*)
 - Storage temperature...: -30 ÷ 85 °C
 - N° of pulses/rev.....: 1 ÷ 1024
 - Max frequency.....: 60 kHz (100 option)
 - Max consumptions mA...: std 120 line driver 180 (*)
 - Light source.....: LED with ≥ 100000 h life
- (°) IP according to CEI EN 60529, EN 60529, IEC 529
(*) custom options
(**) intermittent max RPM + 30% of continuous max RPM

ELECTRONICS

CODE	DESCRIPTION	mA	CODE	DESCRIPTION	mA	CODE	DESCRIPTION	mA	CODE	DESCRIPTION	mA
	STANDARD NPN	10	N	DRIVER 26LS31	30						
K	NPN OPEN COLL	10	T	TTL 7404	10						
Q	NPN	70	C	DRIVER 88C30	20						
R	NPN OPEN COLL	70									
P	PNP	70									
U	PNP OPEN COLL	70									
B	PUSH-PULL PRO	70									
H	PUSH-PULL	70									

Tolerance between phases $\pm 35^\circ$, symmetry $\pm 15^\circ$

(§) Clock-wise output rotation (see shaft).



ELCIS s.r.l. Via Rosa Luxembourg 12/14 10093 COLLEGNO (TO) ITALY
Phone: +39 011 715577/78 a.r.
MAIL: ELCIS s.r.l. P.O.Box 90 10093 COLLEGNO (TO) ITALY

* <http://www.elcis.com>
* e-mail: info@elcis.com
* Fax: +39 011 712613

POSSIBLE OPTIONS				POSSIBLE CONNECTIONS				
CODE	DESCRIPTION	CODE	DESCRIPTION	CABLE				OUTPUT:
Y	Unbreakable disk	K	Invert. phase A,B,Zero.	CV				AX
Z	Sealed ball bearing	J	Zero logic combination					RAD
H	Different shaft Ø	M	Impregnated electronic	CONNECTOR				OUTPUT:
R	75 KHz frequency			CM	CL	CH	CH5	AX
V	100 KHz frequency					CH6		RAD
		G	Tropicalization	CABLE END CONNECTOR				OUTPUT:
		D	Double oring	VM	TM	VL	TL	VD
				VE	VK	TK	VN	VH
				VD5	VM5	VM9	VS	VI
X	Custom options							VS
								VD5
				TERMINAL BOX				OUTPUT:

ORDERING INFORMATION

POSSIBLE SHAFT Ø	STANDARD NPN	CABLE	CONNECTOR	CABLE END CONNECTOR
()	(K) NPN OPEN COLL	IP65		IP65 encoder output
()	(Q) NPN	(CV) 1 m long	(CM) 7c norm. IP65	(VM) 7c normal
()	(R) NPN OPEN COLL	()	()	(TM) 7c sealed
()	(P) PNP	()	(CL) 10c norm. IP65	(VL) 10c normal
()	(U) PNP OPEN COLL		()	(TL) 10c sealed
()	(B) PUSH-PULL PRO		()	(VD) 9c
(n) Ø n upon requ.	(H) PUSH-PULL	TERMINAL BOX	(CH) 12c ccw IP67	(VH) 12c anticlock.
()	(N) DRIVER 26LS31	IP00	(CH5) 12c cw IP67	(VH5) 12c clock-wise
()	(T) TTL 7404	()	()	(VI) 12c crimped
()	(C) DRIVER 88C30		()	(VE) 5c
()			()	(VK) 17c normal
()			()	(TK) 17c sealed
()			()	(VN) 12c
()	(X) CUSTOM OPTION		(CH6) 12c cw IP67	(VH6) 12c clock-wise
()			()	(VM5) 26c
()				(VM9) 16c
()				(VS) 12c
()				(VD5) 9c screened

OPTIONS	MODEL	PULSES/REVOL. (1)	POWER SUPPLY	VERSION (2)	ELECTRONIC (2)	CONNECTION (3)	OUTPUT
()	63TE	500	5	BZ	N	CV	()
(Y)	()	1 ÷ 1024	(Vcc)	(M) Monodirectional			AX ()
(Z)	(K)		(5) 5 V ±5%	(B) Bidirectional			RAD (R)
()	(J)		(824) 8÷24 V	(BZ) Bidirectional + zero			
(H)	(M)		(1828) 18÷28 V	(MZ) Monodirectional + zero			
(R)	()		(815) 8÷15 V				
(V)	()		(12) 12 V ±5%				
()	(G)		(24) 24 V ±5%				
()	(D)		(1230) 12÷30/12 V				
()	()		(8245) 8÷24/5 V				
()	()		(1030) 10÷30 V				
()	()		(18285) 18÷28/5 V				
(X)	()		(1530) 15÷30/15 V				

Product manufactured according to ISO EN 9001, supplied with CHECKING and CONFORMITY declaration with CE mark and with TWO (2) YEARS WARRANTY starting from delivery date.

NOTE: FOR 88C30 MAX 15 Vdc

- (1) For further information see PULSES/REVOL. data sheet
- (2) For further information see ELECTRONIC data sheet
- (3) For further information see CONNECTION data sheet

	<p>ELCIS s.r.l. Via Rosa Luxembourg 12/14 10093 COLLEGNO (TO) ITALY Phone: +39 011 715577/78 a.r. MAIL: ELCIS s.r.l. P.O.Box 90 10093 COLLEGNO (TO) ITALY</p>	<p>* http://www.elcis.com * e-mail: info@elcis.com * Fax: +39 011 712613</p>
--	---	---

COPYRIGHT by ELCIS - Collegno (TO)