



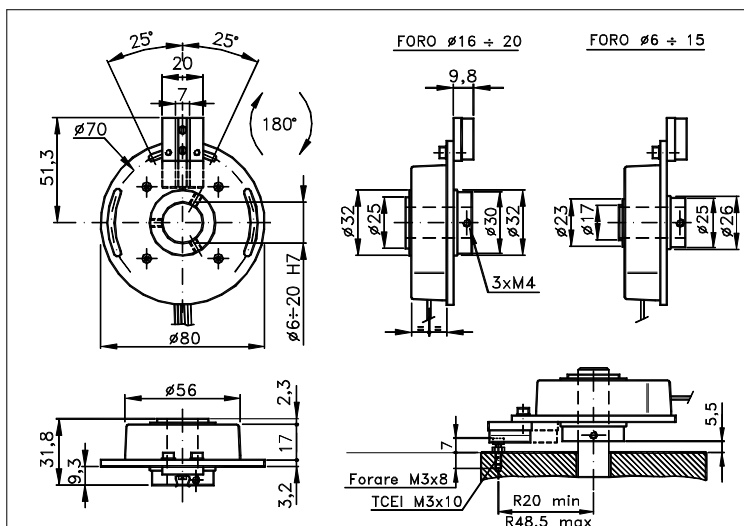
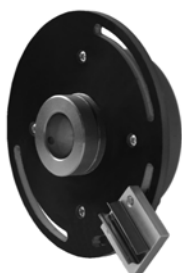
PATENTED MINIATURE ENCODER WITH PASS-THROUGH SHAFT AND WITH VERY LOW COST. FITTED FOR APPLICATIONS ON MOTORS WHERE THE PRICE PLAYS AN INSTRUMENTAL ROLE. TANGENTIAL COUPLING INCLUDED.

INCREMENTAL ENCODER

80EZ

Family: I Data sheet . II 162E0A

Sized draw standard version: C8C R Measures without tolerance according to UNI ISO 2768-mk
 Max joint compensation: axial $\pm 0,15\text{mm}$, radial $\pm 0,05\text{mm}$, angular $\pm 1^\circ$



TECHNICAL FEATURES AND POSSIBLE CONFIGURATIONS

- Base.....: COMPOSITE MATERIAL
 - Cover.....: PLASTIC
 - Weight.....: 110 g
 - Shaft.....: $\phi 6 \pm 20$ PASS.THR. ALUMINIUM (*)
 - Max.rad/axial load.: 2 N
 - IP degree.....($^\circ$): std. 53
 - Starting torque gcm: 15
 - Impact resistance.....: 50 G x 11ms
 - Vibration resistance.: 5 G (10 ÷ 200 Hz x 2h)
 - Power supply.....: 5V, 5+30V
 - Operating temperature: $-25 \div 85^\circ \text{C}$
 - Storage temperature...: $-40 \div 110^\circ \text{C}$
 - N° of pulses/rev.....: 1000, 1024, 2000, 2048
 - Max frequency.....: 100 kHz
 - Max consumptions mA.: std 60
- ($^\circ$) IP according to CEI EN 60529, EN 60529, IEC 529
 (*) custom options

ELECTRONICS

| CODE | DESCRIPTION | mA | A | CODE | DESCRIPTION | mA | A |
|------|--------------|----|---|------|-------------|----|---|
| | STANDARD NPN | 10 | | N | LINE DRIVER | 30 | |
| | | | | Z | LINE DRIVER | 30 | |
| | | | | | | | |

ORDERING INFORMATION

| OPTIONS | MODEL | SHAFT | PULSES/REVOL. | POWER SUPPLY | VERSION | ELECTRONIC | CONNECTION | OUTPUT |
|----------------------|-------|--|--------------------------------|---|---------|---|---|-----------------|
| (X) Custom options | 80EZ | 10 $\phi 6$ (6) $\phi 8$ (8) $\phi 10$ (10) $\phi 15$ (15) $\phi 20$ (20) | 1024 1000, 1024, 2000, 2048 | 5 (5) 5V for elect.() or () (530) 5+30V only electr.(Z) | BZ | N () STANDARD NPN (N) LINE DRIVER (Z) LINE DRIVER | C8C Flat cable 8 wires (C8C) 1 m long cable (CV) 5 p. module (CP5) | R () (R) |

COPYRIGHT by Elcis encoder - Collegno (TO)

Elcis encoder s.r.l. Via Rosa Luxembourg 12/14 10093 COLLEGNO (TO) ITALY
 Phone: +39 011 715577/78 r.a.
 Mail: Elcis encoder s.r.l. P.O.Box 70 10093 COLLEGNO (TO) ITALY

* <http://www.elcis.com>
 * e-mail: info@elcis.com
 * Fax: +39 011 712613